

 IsoSafe
KER 4315 R6

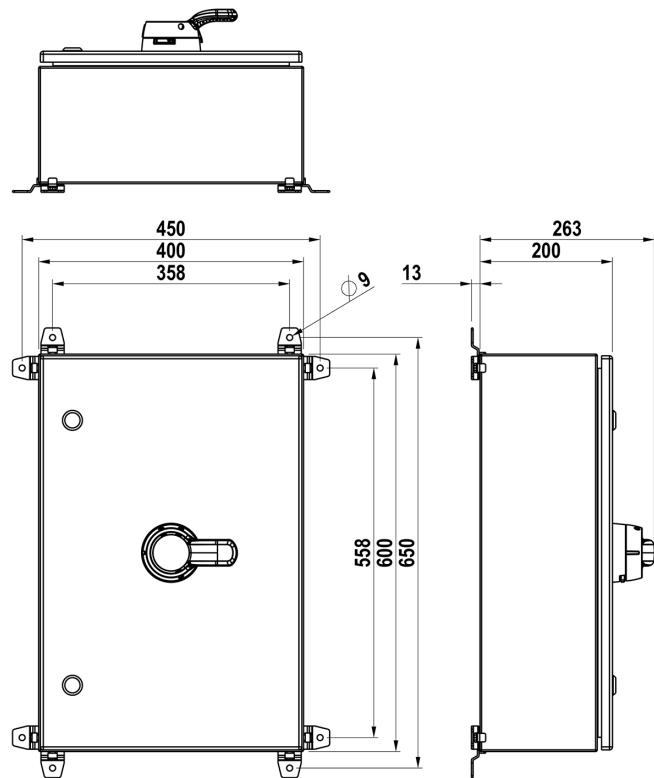
4x315A 400V 160kW

PRODUCT NUMBER	34386
GTIN	6419410343869
TECHNICAL NAME	4x315A 400V 160kW
ETIM CLASS	EC000216

MEASUREMENTS

HEIGHT	600 mm
WIDTH	400 mm
DEPTH	200 mm
VOLUME	48 l
NET WEIGHT	18.8805 kg

DIMENSIONAL DRAWING



LOGISTICAL DATA

SALES UNIT	1
PACKAGE SIZE 1	1
PACKAGE SIZE 1 DEPTH	200 mm
PACKAGE SIZE 1 HEIGHT	600 mm
PACKAGE SIZE 1 WIDTH	400 mm
PACKAGE SIZE 1 WEIGHT	18.8805 kg
PACKAGE SIZE 1 VOLUME	48 l

TECHNICAL DATA

NUMBER OF POLES	4
ENCLOSURE	R6 (400 x 600 x 200 mm)
ENCLOSURE TYPE	Stainless steel (AISI 304)
EMC	No
ATEX	No
IP RATING	IP66
RATED OPERATIONAL CURRENT AC-23A 415 V, IE (A)	315
RATED OPERATIONAL CURRENT AC-23A 690 V, IE (A)	315
RATED OPERATIONAL POWER, 3- PHASE 1500 RPM SQUIRREL-CAGE MOTOR AC-23A 690 V (KW)	315
RATED INSULATION VOLTAGE, UI (V)	1000
SWITCH TYPE DESCRIPTION	Isolating switch
NOMINAL VALUES WITH CABLE SIZE (MM ²)	185
RATED THERMAL CURRENT, ITH (A)	315
RATED THERMAL CURRENT (ENCLOSED), ITHE (A)	315
RATED OPERATIONAL CURRENT AC-21A 415 V, IE (A)	315
RATED OPERATIONAL CURRENT AC-21A 500 V, IE (A)	315
RATED OPERATIONAL CURRENT AC-21A 690 V, IE (A)	315
RATED OPERATIONAL CURRENT AC-22A 415 V, IE (A)	315
RATED OPERATIONAL CURRENT AC-22A 500 V, IE (A)	315
RATED OPERATIONAL CURRENT AC-22A 690 V, IE (A)	315

RATED OPERATIONAL CURRENT AC-23A 500 V, IE (A)	315
RATED OPERATIONAL POWER, 3- PHASE 1500 RPM SQUIRREL-CAGE MOTOR AC-23A 415 V (KW)	160
RATED OPERATIONAL POWER, 3- PHASE 1500 RPM SQUIRREL-CAGE MOTOR AC-23A 500 V (KW)	200
RATED FUSED SHORT-CIRCUIT CURRENT, BACK-UP FUSE OPTION 1 (A)	400
RATED FUSED SHORT-CIRCUIT CURRENT, R.M.S. IQ OPTION 1 (KA)	100
RATED FUSED SHORT-CIRCUIT CURRENT, PEAK VALUE (KA)	42
RATED IMPULSE WITHSTAND VOLTAGE, UIMP (KV)	12
RATED SHORT-CIRCUIT MAKING CAPACITY, ICM 415 V (KA)	11.4
RATED SHORT-CIRCUIT MAKING CAPACITY, ICM 690 V (KA)	27.5
RATED SHORT-TIME WITHSTAND CURRENT 1 S, ICW 415 V (KA)	6.5
RATED SHORT-TIME WITHSTAND CURRENT 1 S, ICW 1000 V (KA)	13.5
RATED BREAKING CAPACITY, AC- 23A 415 V (A)	2520
RATED BREAKING CAPACITY, AC- 23A 500 V (A)	2520
RATED BREAKING CAPACITY, AC- 23A 690 V (A)	2520
ELECTRICAL ENDURANCE (NUMBER OF OPERATIONS)	2000
MECHANICAL ENDURANCE (NUMBER OF OPERATIONS)	10000
TERMINAL / BOLT SIZE CU (MM ²)	M10
MAXIMUM TERMINAL TORQUE (NM)	30.44

SWITCH TYPE

Load Break Switch