

ISF 330NOUL A2

3x25A 400V 11kW



PRODUCT NUMBER	34439
GTIN	6419410344392
TECHNICAL NAME	3x25A 400V 11kW
ETIM CLASS	EC000216

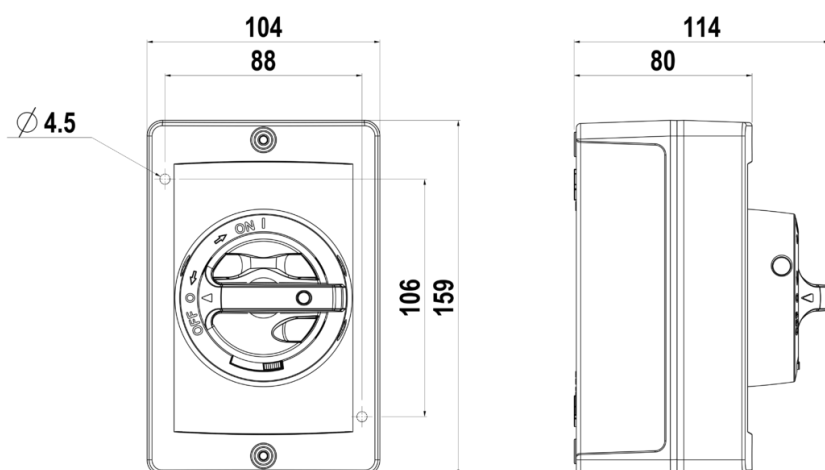
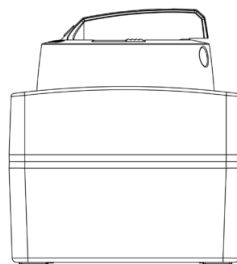
MEASUREMENTS

HEIGHT	158.5 mm
WIDTH	104 mm
DEPTH	80 mm
VOLUME	1.3187 l

LOGISTICAL DATA

PACKAGE SIZE 1 DEPTH	80 mm
PACKAGE SIZE 1 HEIGHT	158.5 mm
PACKAGE SIZE 1 WIDTH	104 mm
PACKAGE SIZE 1 VOLUME	1.3187 l

DIMENSIONAL DRAWING



TECHNICAL DATA

NUMBER OF POLES	3
ENCLOSURE	A2 (104 x 159 x 80 mm)
ENCLOSURE TYPE	Aluminium
UL	UL 60947-4-1A
EMC	No
ATEX	No
IP RATING	IP66
AMPERE RATING (600V)	30
HP 208V	5
HP 480V	10
HP 600V	15
SWITCH TYPE DESCRIPTION	Manual motor controller
AUXILIARY CONTACT TYPE	1NO
WIRE SIZE (CU ONLY)	14-8 AWG