

 **ConnectSafe**
KC1X35N

PRODUCT NUMBER	35724
GTIN	6419410357248
E-NUMBER FI	1942015
ETIM CLASS	EC000897

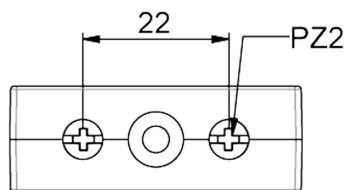
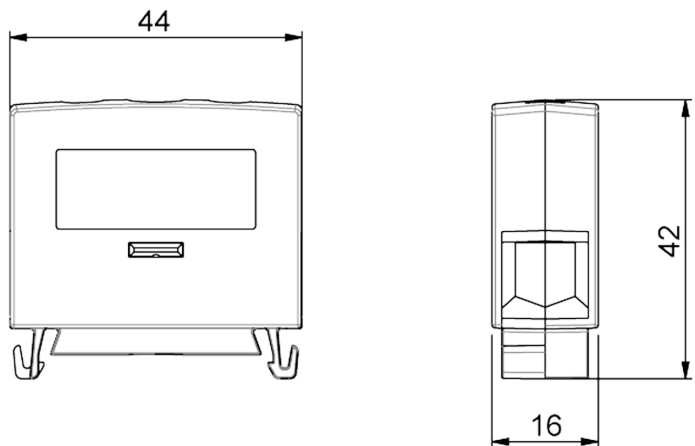
MEASUREMENTS

HEIGHT	44 mm
WIDTH	16 mm
DEPTH	42 mm
VOLUME	0.0296 l
NET WEIGHT	0.0627 kg

LOGISTICAL DATA

PACKAGE SIZE 1	84
PACKAGE SIZE 1	0.0627 kg
WEIGHT	

DIMENSIONAL DRAWING



TECHNICAL DATA

ATEX	No
TORQUE AL/CU (NM)	2,5
KEY SIZE	PZ2
IN (CU) (A)	135
CU MM ²	2,5-35
NOMINAL VOLTAGE	800V AC