




## ConnectSafe

# KL1X95P

PRODUCT NUMBER	33814
GTIN	6419410338148
E-NUMBER FI	1942153
ETIM CLASS	EC000897

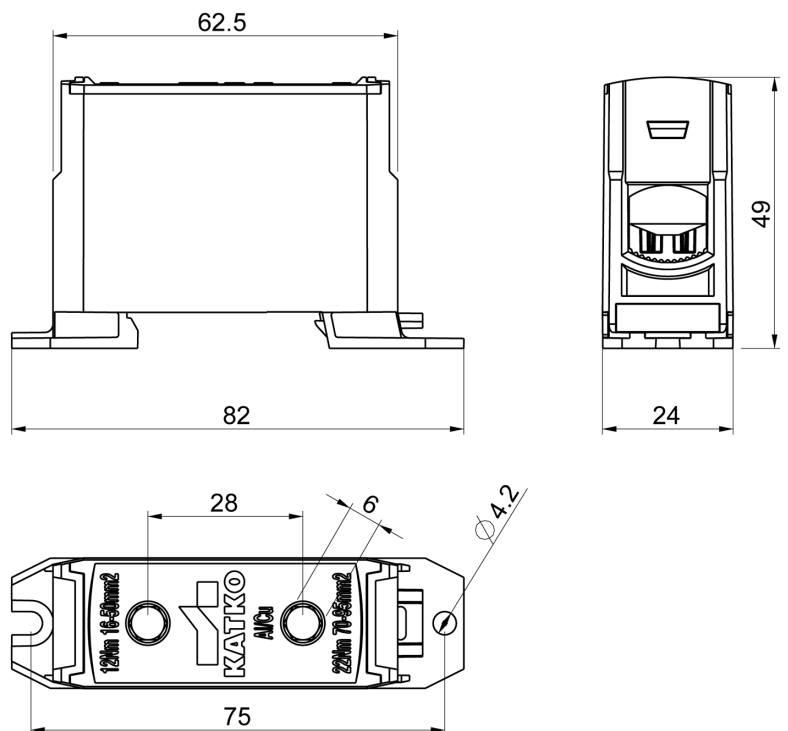
## MEASUREMENTS

HEIGHT	62.5 mm
WIDTH	24 mm
DEPTH	49 mm
VOLUME	0.0735 l

## LOGISTICAL DATA

PACKAGE SIZE 1	22
----------------	----

## DIMENSIONAL DRAWING



## TECHNICAL DATA

ATEX	No
TORQUE AL/CU (NM)	12 (16 – 50 mm <sup>2</sup> ) / 22 (70 – 95 mm <sup>2</sup> )
KEY SIZE	Hex 6
IN (AL) (A)	200
IN (CU) (A)	245
AL MM <sup>2</sup>	6–95
CU MM <sup>2</sup>	6–95
NOMINAL VOLTAGE	1000V AC / 1500V DC