
 LoadSafe

# KU 363N

## 3x63A 690V AC-22

|                |                  |
|----------------|------------------|
| PRODUCT NUMBER | 21460            |
| GTIN           | 6419410214602    |
| E-NUMBER FI    | 3600723          |
| TECHNICAL NAME | 3x63A 690V AC-22 |
| ETIM CLASS     | EC000216         |

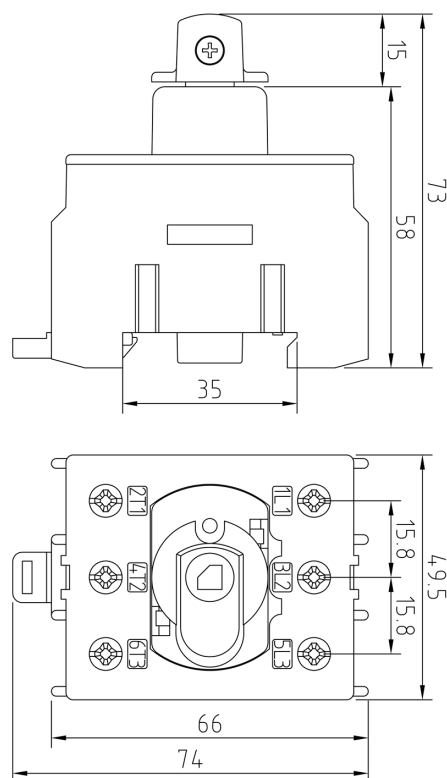
## MEASUREMENTS

|            |           |
|------------|-----------|
| HEIGHT     | 73 mm     |
| WIDTH      | 50 mm     |
| DEPTH      | 75 mm     |
| VOLUME     | 0.2738 l  |
| NET WEIGHT | 0.2066 kg |

## LOGISTICAL DATA

|                       |           |
|-----------------------|-----------|
| SALES UNIT            | 1         |
| PACKAGE SIZE 1        | 1         |
| PACKAGE SIZE 1 DEPTH  | 75 mm     |
| PACKAGE SIZE 1 HEIGHT | 73 mm     |
| PACKAGE SIZE 1 WIDTH  | 75 mm     |
| PACKAGE SIZE 1 WEIGHT | 0.2066 kg |
| PACKAGE SIZE 1 VOLUME | 0.4106 l  |

## DIMENSIONAL DRAWING



## TECHNICAL DATA

|  |               |
|--|---------------|
| NUMBER OF POLES  | 3             |
| UL   | UL 60947-4-1A |
| ATEX   | No            |
| RATED OPERATIONAL CURRENT<br>AC-23A 415 V, IE (A)                                      | 40            |
| RATED OPERATIONAL CURRENT<br>AC-23A 690 V, IE (A)                                      | 40            |
| RATED OPERATIONAL POWER, 3-<br>PHASE 1500 RPM SQUIRREL-CAGE<br>MOTOR AC-23A 690 V (KW) | 37            |
| RATED INSULATION VOLTAGE, UI<br>(V)  | 800           |
| AMPERE RATING (600V)   | 60            |
| HP 208V  | 10            |
| HP 480V  | 25            |
| HP 600V  | 25            |
| WIRE SIZE (CU ONLY)  | 12-4 AWG      |
| NOMINAL VALUES WITH CABLE<br>SIZE (MM <sup>2</sup> )                                   | 25            |
| RATED THERMAL CURRENT, ITH<br>(A)  | 80            |
| RATED OPERATIONAL CURRENT<br>AC-21A 415 V, IE (A)                                      | 80            |
| RATED OPERATIONAL CURRENT<br>AC-21A 500 V, IE (A)                                      | 80            |
| RATED OPERATIONAL CURRENT<br>AC-21A 690 V, IE (A)                                      | 80            |
| RATED OPERATIONAL CURRENT<br>AC-22A 415 V, IE (A)                                      | 63            |
| RATED OPERATIONAL CURRENT<br>AC-22A 500 V, IE (A)                                      | 63            |
| RATED OPERATIONAL CURRENT<br>AC-22A 690 V, IE (A)                                      | 63            |
| RATED OPERATIONAL CURRENT<br>AC-23A 500 V, IE (A)                                      | 40            |

|   |                   |
|---|-------------------|
| RATED OPERATIONAL POWER, 3-PHASE 1500 RPM SQUIRREL-CAGE MOTOR AC-23A 415 V (KW) | 22                |
| RATED OPERATIONAL POWER, 3-PHASE 1500 RPM SQUIRREL-CAGE MOTOR AC-23A 500 V (KW) | 30                |
| RATED FUSED SHORT-CIRCUIT CURRENT, BACK-UP FUSE OPTION 1 (A)                    | 80                |
| RATED FUSED SHORT-CIRCUIT CURRENT, R.M.S. IQ OPTION 1 (KA)                      | 50                |
| RATED FUSED SHORT-CIRCUIT CURRENT, PEAK VALUE (KA)                              | 8.7               |
| RATED IMPULSE WITHSTAND VOLTAGE, UIMP (KV)                                      | 8                 |
| RATED SHORT-CIRCUIT MAKING CAPACITY, ICM 690 V (KA)                             | 2.5               |
| RATED SHORT-TIME WITHSTAND CURRENT 1 S, ICW 690 V (KA)                          | 2                 |
| RATED BREAKING CAPACITY, AC-23A 415 V (A)                                       | 320               |
| RATED BREAKING CAPACITY, AC-23A 500 V (A)                                       | 320               |
| RATED BREAKING CAPACITY, AC-23A 690 V (A)                                       | 320               |
| ELECTRICAL ENDURANCE (NUMBER OF OPERATIONS)                                     | 3000              |
| MECHANICAL ENDURANCE (NUMBER OF OPERATIONS)                                     | 50000             |
| TERMINAL / BOLT SIZE CU (MM <sup>2</sup> )                                      | 2.5..35           |
| MAXIMUM TERMINAL TORQUE (NM)  | 2.5               |
| SWITCH TYPE   | Load Break Switch |