
 IsoSafe

KEM 460UL98 MF10

4x40A 400V 22kW

PRODUCT NUMBER	31561
GTIN	6419410315613
TECHNICAL NAME	4x40A 400V 22kW
ETIM CLASS	EC000216

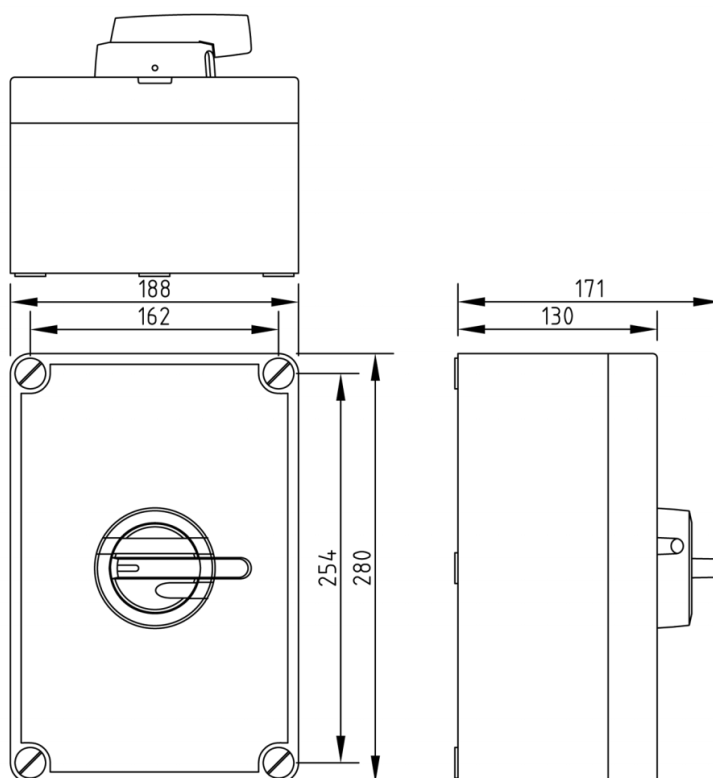
MEASUREMENTS

HEIGHT	280 mm
WIDTH	188 mm
DEPTH	130 mm
VOLUME	6.8432 l
NET WEIGHT	2.2416 kg

LOGISTICAL DATA

PACKAGE SIZE 1	113 mm
DEPTH	
PACKAGE SIZE 1	258 mm
HEIGHT	
PACKAGE SIZE 1	120 mm
WIDTH	
PACKAGE SIZE 1	2.2416 kg
WEIGHT	
PACKAGE SIZE 1	3.4985 l
VOLUME	

DIMENSIONAL DRAWING



TECHNICAL DATA

NUMBER OF POLES	4
ENCLOSURE	MF10 (188 x 280 x 130 mm)
ENCLOSURE TYPE	Polycarbonate
UL	UL98
EMC	No
ATEX	No
AMPERE RATING (600V)	60
HP 208V	2
HP 240V	25
HP 480V	50
HP 600V	75
SWITCH TYPE DESCRIPTION	Manual motor controller
WIRE SIZE (CU ONLY)	8-1/0 AWG