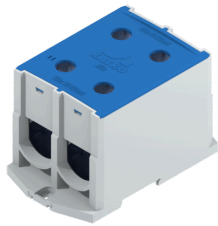




ConnectSafe

KL2X300N



| | |
|----------------|---------------|
| PRODUCT NUMBER | 48441 |
| GTIN | 6419410484418 |
| E-NUMBER FI | 1942125 |
| ETIM CLASS | EC000897 |

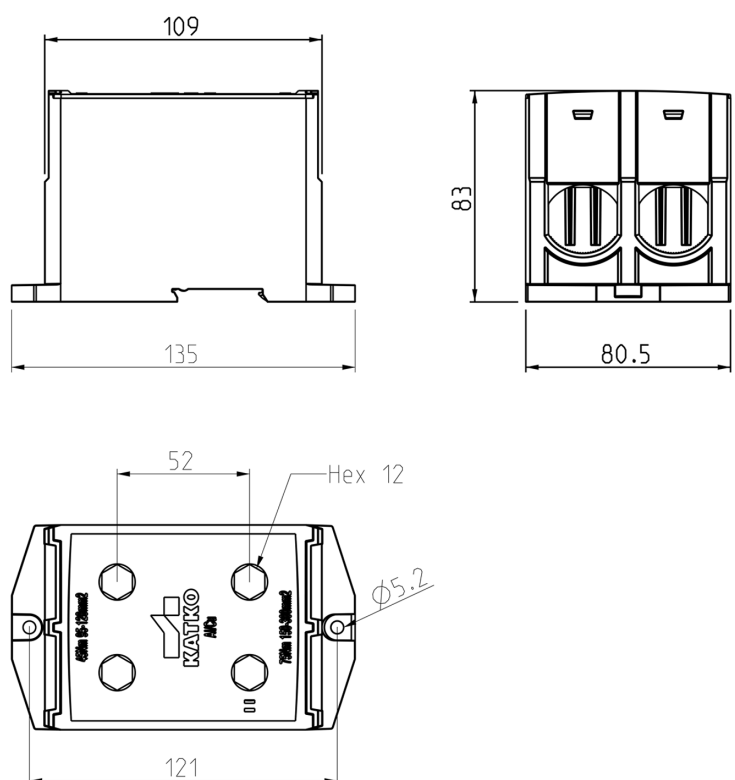
MEASUREMENTS

| | |
|------------|-----------|
| HEIGHT | 109 mm |
| WIDTH | 80.5 mm |
| DEPTH | 83 mm |
| VOLUME | 0.7283 l |
| NET WEIGHT | 1.0951 kg |

LOGISTICAL DATA

| | |
|-----------------------|-----------|
| PACKAGE SIZE 1 | 6 |
| PACKAGE SIZE 1 WEIGHT | 1.0951 kg |

DIMENSIONAL DRAWING



TECHNICAL DATA

| | |
|--------------------|--|
| ATEX | No |
| TORQUE AL/CU (NM) | 45 (95-120 mm ²) / 75 (150-300 mm ²) |
| KEY SIZE | Hex 12 |
| IN (AL) (A) | 800 |
| IN (CU) (A) | 1040 |
| AL MM ² | 95-300 |
| CU MM ² | 95-300 |
| NOMINAL VOLTAGE | 1000V AC / 1500V DC |