


 IsoSafe

KET 380CUL T4

3x63A 400V 30kW

| | |
|----------------|-----------------|
| PRODUCT NUMBER | 35188 |
| GTIN | 6419410351888 |
| TECHNICAL NAME | 3x63A 400V 30kW |
| ETIM CLASS | EC000216 |

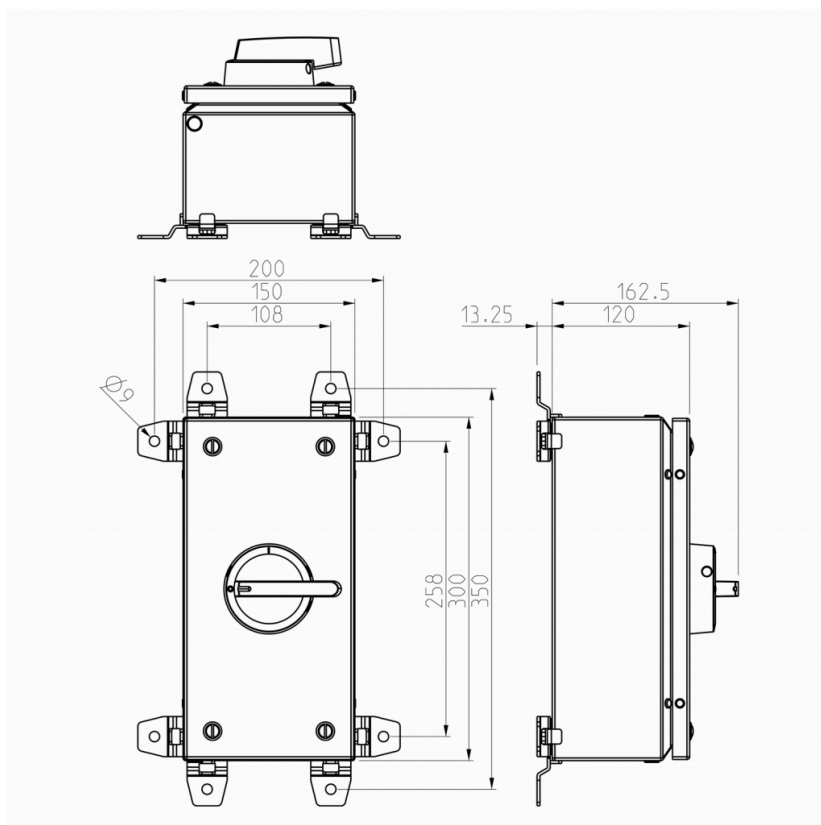
MEASUREMENTS

| | |
|------------|----------|
| HEIGHT | 300 mm |
| WIDTH | 150 mm |
| DEPTH | 120 mm |
| VOLUME | 5.4 l |
| NET WEIGHT | 3.565 kg |

LOGISTICAL DATA

| | |
|-----------------------|----------|
| PACKAGE SIZE 1 DEPTH | 120 mm |
| PACKAGE SIZE 1 HEIGHT | 300 mm |
| PACKAGE SIZE 1 WIDTH | 150 mm |
| PACKAGE SIZE 1 WEIGHT | 3.565 kg |
| PACKAGE SIZE 1 VOLUME | 5.4 l |

DIMENSIONAL DRAWING



TECHNICAL DATA

| | |
|-------------------------|-------------------------|
| NUMBER OF POLES | 3 |
| ENCLOSURE | T4 (150 x 300 x 120 mm) |
| ENCLOSURE TYPE | Painted sheet steel |
| UL | UL 60947-4-1A |
| EMC | No |
| ATEX | No |
| IP RATING | IP66 |
| AMPERE RATING (600V) | 80 |
| HP 208V | 10 |
| HP 415V | 15 |
| HP 480V | 30 |
| HP 600V | 30 |
| SWITCH TYPE DESCRIPTION | Manual motor controller |
| WIRE SIZE (CU ONLY) | 12-4AWG |