



# IsoSafe KET 680 T3

6x63A 400V 30kW



|                |                 |
|----------------|-----------------|
| PRODUCT NUMBER | 33998           |
| GTIN           | 6419410339985   |
| TECHNICAL NAME | 6x63A 400V 30kW |
| ETIM CLASS     | EC000216        |

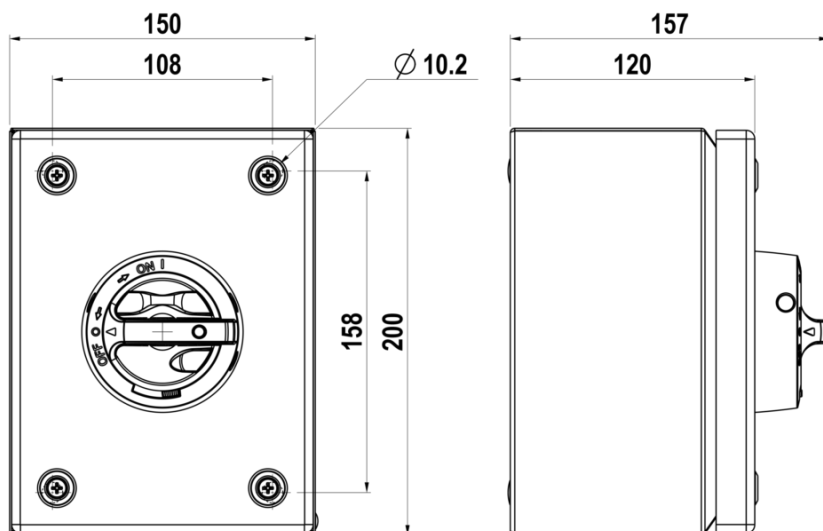
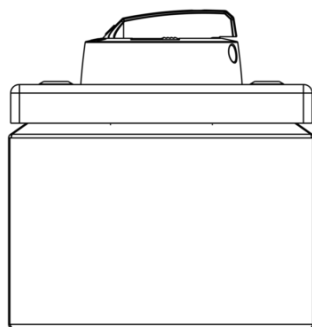
## MEASUREMENTS

|            |           |
|------------|-----------|
| HEIGHT     | 200 mm    |
| WIDTH      | 150 mm    |
| DEPTH      | 120 mm    |
| VOLUME     | 3.6 l     |
| NET WEIGHT | 2.9521 kg |

## LOGISTICAL DATA

|                |           |
|----------------|-----------|
| SALES UNIT     | 1         |
| PACKAGE SIZE 1 | 1         |
| PACKAGE SIZE 1 | 300 mm    |
| DEPTH          |           |
| PACKAGE SIZE 1 | 1200 mm   |
| HEIGHT         |           |
| PACKAGE SIZE 1 | 800 mm    |
| WIDTH          |           |
| PACKAGE SIZE 1 | 2.9521 kg |
| WEIGHT         |           |
| PACKAGE SIZE 1 | 288 l     |
| VOLUME         |           |

## DIMENSIONAL DRAWING



## TECHNICAL DATA

|  |                         |
|--|-------------------------|
| NUMBER OF POLES  | 6                       |
| ENCLOSURE  | T3 (150 x 200 x 120 mm) |
| ENCLOSURE TYPE   | Painted sheet steel     |
| EMC  | No                      |
| ATEX   | No                      |
| IP RATING  | IP66                    |
| RATED OPERATIONAL CURRENT<br>AC-23A 415 V, IE (A)                                      | 63                      |
| RATED OPERATIONAL CURRENT<br>AC-23A 690 V, IE (A)                                      | 40                      |
| RATED OPERATIONAL POWER, 3-<br>PHASE 1500 RPM SQUIRREL-CAGE<br>MOTOR AC-23A 690 V (KW) | 37                      |
| RATED INSULATION VOLTAGE, UI<br>(V)  | 800                     |
| SWITCH TYPE DESCRIPTION  | Isolating switch        |
| NOMINAL VALUES WITH CABLE<br>SIZE (MM <sup>2</sup> )                                   | 35                      |
| RATED THERMAL CURRENT, ITH<br>(A)  | 100                     |
| RATED THERMAL CURRENT<br>(ENCLOSED), ITHE (A)  | 100                     |
| RATED OPERATIONAL CURRENT<br>AC-21A 415 V, IE (A)                                      | 100                     |
| RATED OPERATIONAL CURRENT<br>AC-21A 500 V, IE (A)                                      | 100                     |
| RATED OPERATIONAL CURRENT<br>AC-21A 690 V, IE (A)                                      | 100                     |
| RATED OPERATIONAL CURRENT<br>AC-22A 415 V, IE (A)                                      | 80                      |
| RATED OPERATIONAL CURRENT<br>AC-22A 500 V, IE (A)                                      | 80                      |
| RATED OPERATIONAL CURRENT<br>AC-22A 690 V, IE (A)                                      | 80                      |
| RATED OPERATIONAL CURRENT<br>AC-23A 500 V, IE (A)                                      | 40                      |

|   |                   |
|---|-------------------|
| RATED OPERATIONAL POWER, 3-PHASE 1500 RPM SQUIRREL-CAGE MOTOR AC-23A 415 V (KW) | 30                |
| RATED OPERATIONAL POWER, 3-PHASE 1500 RPM SQUIRREL-CAGE MOTOR AC-23A 500 V (KW) | 30                |
| RATED FUSED SHORT-CIRCUIT CURRENT, BACK-UP FUSE OPTION 1 (A)                    | 80                |
| RATED FUSED SHORT-CIRCUIT CURRENT, R.M.S. IQ OPTION 1 (KA)                      | 50                |
| RATED FUSED SHORT-CIRCUIT CURRENT, PEAK VALUE (KA)                              | 8.2               |
| RATED IMPULSE WITHSTAND VOLTAGE, UIMP (KV)                                      | 8                 |
| RATED SHORT-CIRCUIT MAKING CAPACITY, ICM 690 V (KA)                             | 3.1               |
| RATED SHORT-TIME WITHSTAND CURRENT 1 S, ICW 690 V (KA)                          | 2                 |
| RATED BREAKING CAPACITY, AC-23A 415 V (A)                                       | 504               |
| RATED BREAKING CAPACITY, AC-23A 500 V (A)                                       | 320               |
| RATED BREAKING CAPACITY, AC-23A 690 V (A)                                       | 320               |
| ELECTRICAL ENDURANCE (NUMBER OF OPERATIONS)                                     | 3000              |
| MECHANICAL ENDURANCE (NUMBER OF OPERATIONS)                                     | 50000             |
| TERMINAL / BOLT SIZE CU (MM <sup>2</sup> )                                      | 2.5..35           |
| MAXIMUM TERMINAL TORQUE (NM)  | 2.5               |
| SWITCH TYPE   | Load Break Switch |