

 **ConnectSafe**
KC2X35

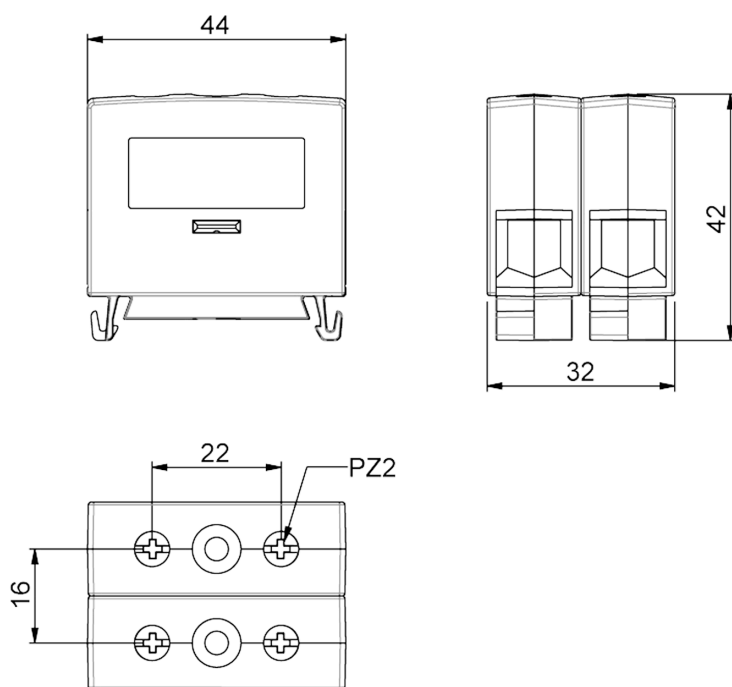
PRODUCT NUMBER	35753
GTIN	6419410357538
E-NUMBER FI	1942017
ETIM CLASS	EC000897

MEASUREMENTS

HEIGHT	44 mm
WIDTH	32 mm
DEPTH	42 mm
VOLUME	0.0591 l
NET WEIGHT	0.0675 kg

LOGISTICAL DATA

PACKAGE SIZE 1	42
PACKAGE SIZE 1	0.0675 kg
WEIGHT	

DIMENSIONAL DRAWING

TECHNICAL DATA

ATEX	No
TORQUE AL/CU (NM)	2,5
KEY SIZE	PZ2
IN (CU) (A)	270
CU MM ²	2,5-35
NOMINAL VOLTAGE	800V AC