




ConnectSafe

KL1X240P

PRODUCT NUMBER	33822
GTIN	6419410338223
E-NUMBER FI	1942161
ETIM CLASS	EC000897

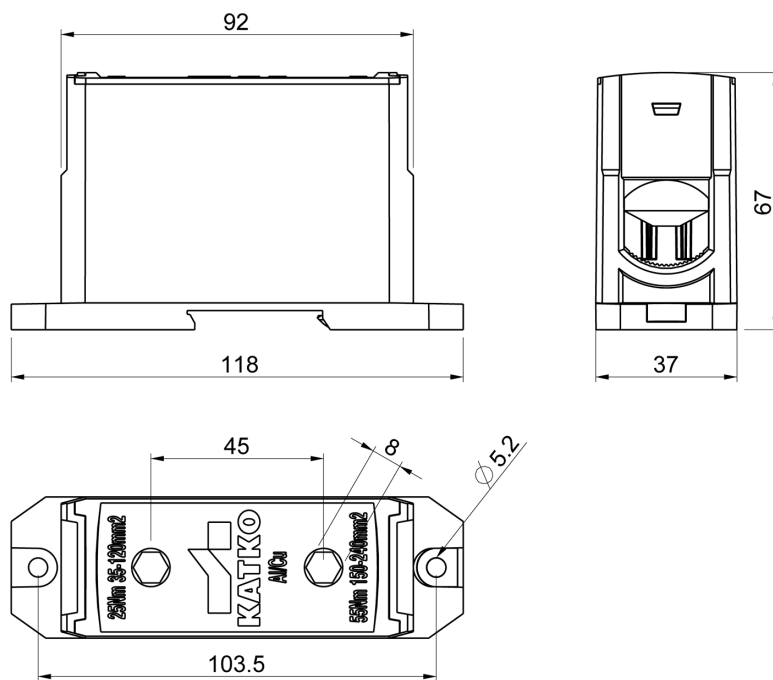
MEASUREMENTS

HEIGHT	92 mm
WIDTH	37 mm
DEPTH	67 mm
VOLUME	0.2281 l

LOGISTICAL DATA

PACKAGE SIZE 1	14
----------------	----

DIMENSIONAL DRAWING



TECHNICAL DATA

ATEX	No
TORQUE AL/CU (NM)	25 (35 - 120 mm ²) / 55 (150 - 240 mm ²)
KEY SIZE	Hex 8
IN (AL) (A)	315
IN (CU) (A)	425
AL MM ²	35-240
CU MM ²	35-240
NOMINAL VOLTAGE	1000V AC / 1500V DC