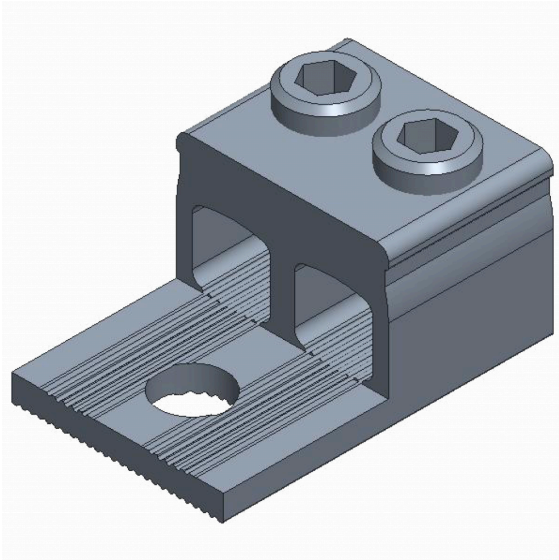


**ConnectSafe**  
**KKL2X50**

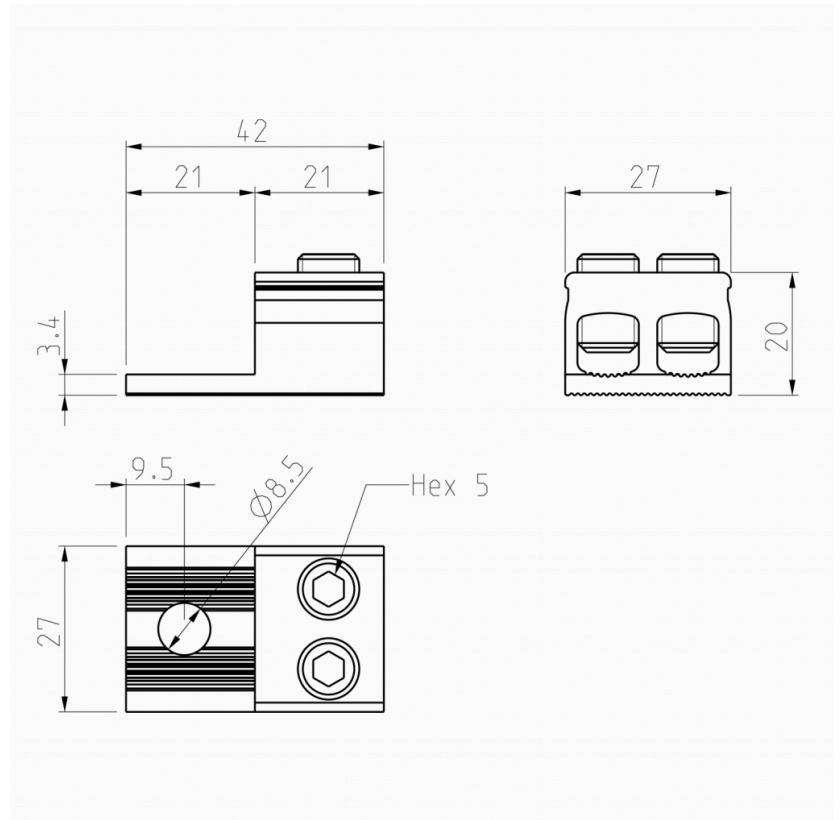
PRODUCT NUMBER	37858
GTIN	6419410378588
E-NUMBER FI	1942088
ETIM CLASS	EC000897

**MEASUREMENTS**

HEIGHT	42 mm
WIDTH	27 mm
DEPTH	20 mm
VOLUME	0.0227 l
NET WEIGHT	0.0606 kg

**LOGISTICAL DATA**

PACKAGE SIZE 1	12
PACKAGE SIZE 1	0.0606 kg
WEIGHT	

**DIMENSIONAL DRAWING**

## TECHNICAL DATA

ATEX	No
TORQUE AL/CU (NM)	5 (2,5-16mm <sup>2</sup> ) / 10 (25-50mm <sup>2</sup> )
KEY SIZE	Hex 5
IN (AL) (A)	200
IN (CU) (A)	320
AL MM <sup>2</sup>	16-50
CU MM <sup>2</sup>	16-50