

## ConnectSafe KL3X1X95PE



PRODUCT NUMBER	20569
GTIN	6419410205693
E-NUMBER FI	1942143
ETIM CLASS	EC000897

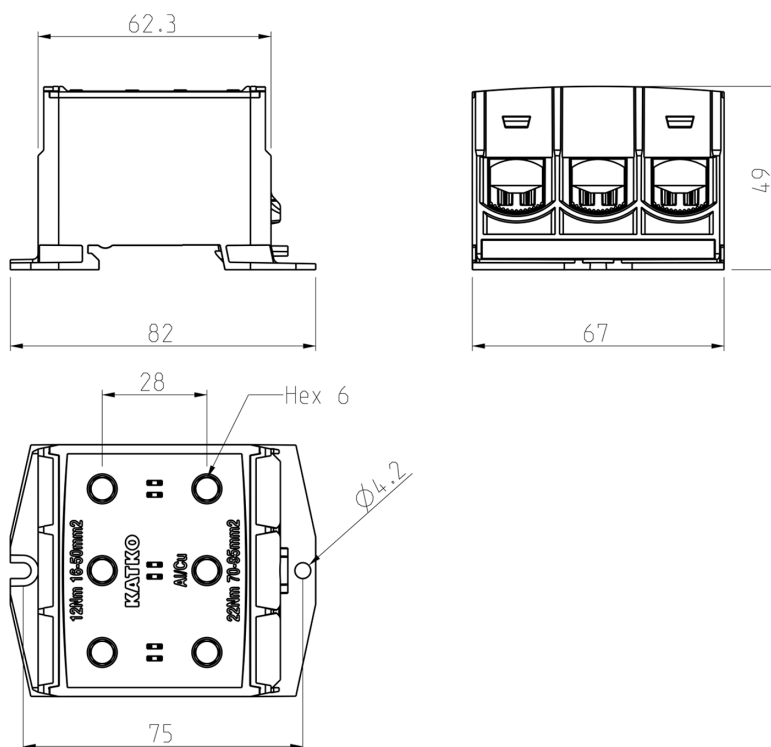
### MEASUREMENTS

HEIGHT	62.3 mm
WIDTH	67 mm
DEPTH	49 mm
VOLUME	0.2045 l
NET WEIGHT	0.1998 kg

### LOGISTICAL DATA

PACKAGE SIZE 1	6
PACKAGE SIZE 1 WEIGHT	0.1998 kg

### DIMENSIONAL DRAWING



## TECHNICAL DATA

ATEX	No
TORQUE AL/CU (NM)	12 (16 - 50 mm <sup>2</sup> ) / 22 (70 - 95 mm <sup>2</sup> )
KEY SIZE	Hex 6
IN (AL) (A)	200
IN (CU) (A)	245
AL MM <sup>2</sup>	6-95
CU MM <sup>2</sup>	6-95
NOMINAL VOLTAGE	1000V AC / 1500V DC