



 IsoSafe  
**ISF 340UL RA2**

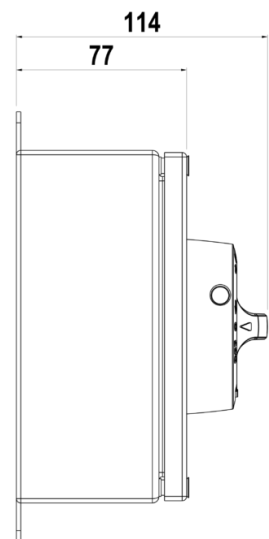
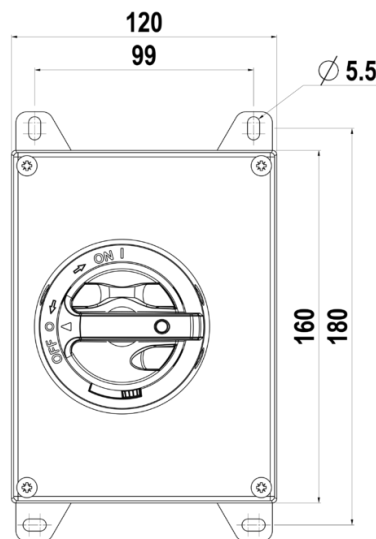
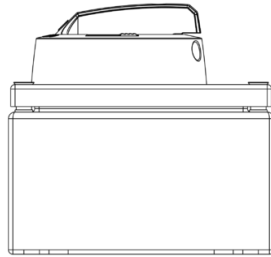
**3x40A 400V 22kW**

PRODUCT NUMBER	29439
GTIN	6419410294390
E-NUMBER FI	3662517
TECHNICAL NAME	3x40A 400V 22kW
ETIM CLASS	EC000216

## MEASUREMENTS

HEIGHT	160 mm
WIDTH	120 mm
DEPTH	77 mm
VOLUME	1.4784 l
NET WEIGHT	0.6474 kg

## DIMENSIONAL DRAWING



## LOGISTICAL DATA

PACKAGE SIZE 1 DEPTH	77 mm
PACKAGE SIZE 1 HEIGHT	160 mm
PACKAGE SIZE 1 WIDTH	120 mm
PACKAGE SIZE 1 WEIGHT	0.6474 kg
PACKAGE SIZE 1 VOLUME	1.4784 l

## TECHNICAL DATA

NUMBER OF POLES	3
ENCLOSURE	RA2 (120 x 160 x 77 mm)
ENCLOSURE TYPE	Stainless steel enclosure (AISI 316L)
UL	UL 60947-4-1A
EMC	No
ATEX	No
IP RATING	IP66
AMPERE RATING (600V)	40
HP 208V	5
HP 480V	15
HP 600V	20
SWITCH TYPE DESCRIPTION	Manual motor controller
WIRE SIZE (CU ONLY)	14-8 AWG