




## IsoSafe KSM 216 M1

|                |               |
|----------------|---------------|
| PRODUCT NUMBER | 37198         |
| GTIN           | 6419410371985 |
| E-NUMBER FI    | 3662680       |
| ETIM CLASS     | EC000216      |

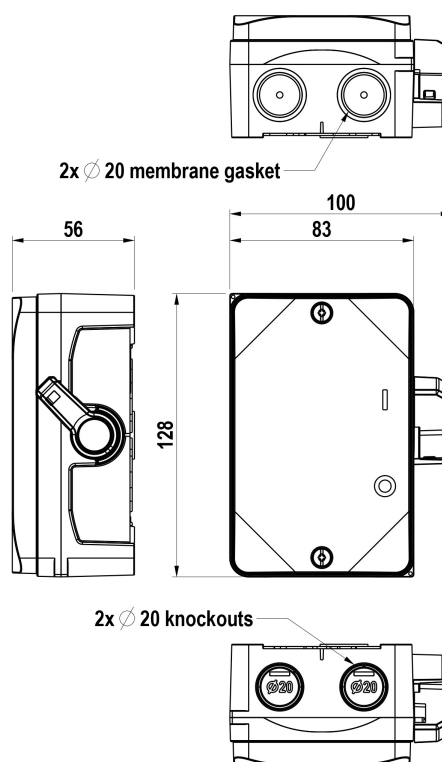
### MEASUREMENTS

|        |          |
|--------|----------|
| HEIGHT | 128 mm   |
| WIDTH  | 83 mm    |
| DEPTH  | 56 mm    |
| VOLUME | 0.5949 l |

### LOGISTICAL DATA

|                       |          |
|-----------------------|----------|
| SALES UNIT            | 1        |
| PACKAGE SIZE 1        | 1        |
| PACKAGE SIZE 1 DEPTH  | 56 mm    |
| PACKAGE SIZE 1 HEIGHT | 128 mm   |
| PACKAGE SIZE 1 WIDTH  | 83 mm    |
| PACKAGE SIZE 1 VOLUME | 0.5949 l |
| PACKAGE SIZE 2        | 8        |
| PACKAGE SIZE 2 DEPTH  | 445 mm   |
| PACKAGE SIZE 2 HEIGHT | 135 mm   |
| PACKAGE SIZE 2 WIDTH  | 110 mm   |
| PACKAGE SIZE 2 VOLUME | 6.6083 l |

### DIMENSIONAL DRAWING



## TECHNICAL DATA

|  |                       |
|--|-----------------------|
| NUMBER OF POLES  | 2                     |
| ENCLOSURE  | M1 (83 x 128 x 56 mm) |
| ENCLOSURE TYPE   | Polycarbonate         |
| EMC  | No                    |
| IP RATING  | IP67                  |
| RATED OPERATIONAL CURRENT<br>AC-23A 415 V, IE (A)                                      | 16                    |
| RATED OPERATIONAL POWER, 1-<br>PHASE 1500 RPM SQUIRREL-CAGE<br>MOTOR AC-23A 240 V (KW) | 3                     |
| RATED INSULATION VOLTAGE, UI<br>(V)  | 800                   |
| SWITCH TYPE DESCRIPTION  | Isolating switch      |
| NOMINAL VALUES WITH CABLE<br>SIZE (MM <sup>2</sup> )                                   | 2.5                   |
| RATED THERMAL CURRENT, ITH<br>(A)  | 16                    |
| RATED THERMAL CURRENT<br>(ENCLOSED), ITHE (A)  | 16                    |
| RATED OPERATIONAL CURRENT<br>AC-21A 415 V, IE (A)                                      | 16                    |
| RATED OPERATIONAL CURRENT<br>AC-23A 240 V, IE (A)                                      | 16                    |
| RATED IMPULSE WITHSTAND<br>VOLTAGE, UIMP (KV)  | 8                     |
| RATED SHORT-CIRCUIT MAKING<br>CAPACITY, ICM 415 V (KA)                                 | 1.6                   |
| RATED SHORT-TIME WITHSTAND<br>CURRENT 1 S, ICW 415 V (KA)                              | 1.1                   |
| RATED BREAKING CAPACITY, AC-<br>23A 415 V (A)  | 128                   |
| ELECTRICAL ENDURANCE (NUMBER<br>OF OPERATIONS)   | 3000                  |

|   |                   |
|---|-------------------|
| MECHANICAL ENDURANCE (NUMBER OF OPERATIONS) | 20000             |
| TERMINAL / BOLT SIZE CU (MM <sup>2</sup> )  | 1,5..16           |
| MAXIMUM TERMINAL TORQUE (NM)                | 1.8               |
| SWITCH TYPE                                 | Load Break Switch |