



 IsoSafe

**- KEM 325UL M2**

**3x25A 400V 11kW**

|                |                 |
|----------------|-----------------|
| PRODUCT NUMBER | 35124           |
| GTIN           | 6419410351246   |
| E-NUMBER FI    | 3610322         |
| TECHNICAL NAME | 3x25A 400V 11kW |
| ETIM CLASS     | EC000216        |

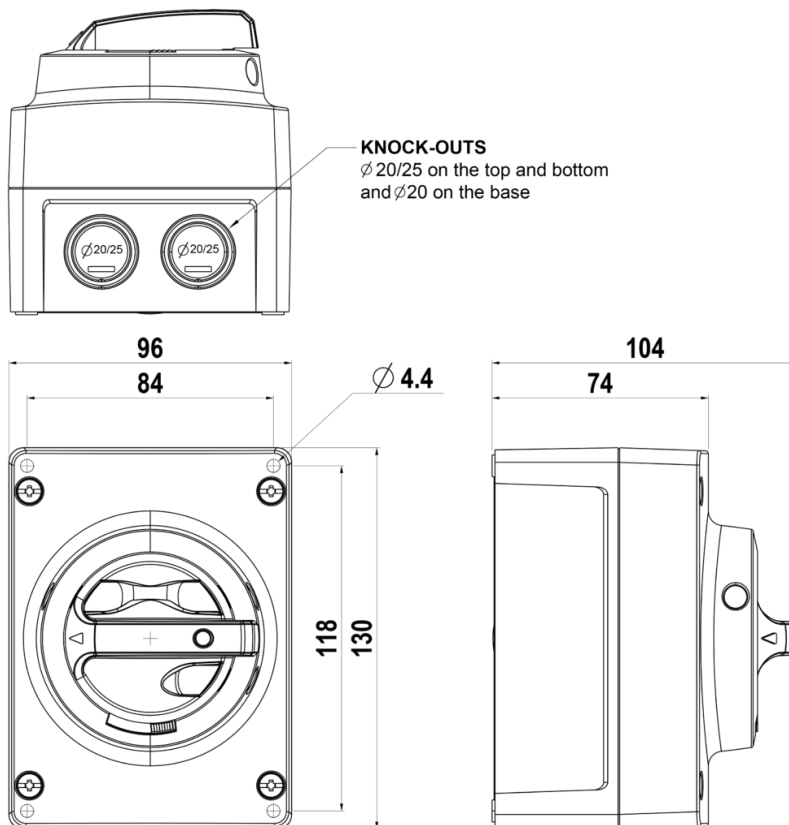
## MEASUREMENTS

|            |           |
|------------|-----------|
| HEIGHT     | 130 mm    |
| WIDTH      | 96 mm     |
| DEPTH      | 104 mm    |
| VOLUME     | 1.2979 l  |
| NET WEIGHT | 0.4752 kg |

## LOGISTICAL DATA

|                       |           |
|-----------------------|-----------|
| PACKAGE SIZE 1 DEPTH  | 104 mm    |
| PACKAGE SIZE 1 HEIGHT | 130 mm    |
| PACKAGE SIZE 1 WIDTH  | 96 mm     |
| PACKAGE SIZE 1 WEIGHT | 0.4752 kg |
| PACKAGE SIZE 1 VOLUME | 1.2979 l  |

## DIMENSIONAL DRAWING



## TECHNICAL DATA

|  |                         |
|--|-------------------------|
| NUMBER OF POLES  | 3                       |
| ENCLOSURE  | M2 (96 x 130 x 74 mm)   |
| ENCLOSURE TYPE   | Polycarbonate           |
| UL   | UL 60947-4-1A           |
| EMC  | No                      |
| ATEX   | No                      |
| IP RATING  | IP66                    |
| RATED OPERATIONAL CURRENT<br>AC-23A 415 V, IE (A)                                      | 25                      |
| RATED OPERATIONAL CURRENT<br>AC-23A 690 V, IE (A)                                      | 25                      |
| RATED OPERATIONAL POWER, 3-<br>PHASE 1500 RPM SQUIRREL-CAGE<br>MOTOR AC-23A 690 V (KW) | 22                      |
| RATED INSULATION VOLTAGE, UI<br>(V)  | 800                     |
| AMPERE RATING (600V)   | 25                      |
| HP 208V  | 5                       |
| HP 415V  | 7.5                     |
| HP 480V  | 15                      |
| HP 600V  | 10                      |
| SWITCH TYPE DESCRIPTION  | Manual motor controller |
| WIRE SIZE (CU ONLY)  | 14-8AWG                 |
| NOMINAL VALUES WITH CABLE<br>SIZE (MM <sup>2</sup> )                                   | 10                      |
| RATED THERMAL CURRENT, ITH<br>(A)  | 40                      |
| RATED THERMAL CURRENT<br>(ENCLOSED), ITHE (A)  | 40                      |
| RATED OPERATIONAL CURRENT<br>AC-21A 415 V, IE (A)                                      | 40                      |
| RATED OPERATIONAL CURRENT<br>AC-21A 500 V, IE (A)                                      | 40                      |

|  |      |
|--|------|
| RATED OPERATIONAL CURRENT<br>AC-21A 690 V, IE (A)                                      | 40   |
| RATED OPERATIONAL CURRENT<br>AC-22A 415 V, IE (A)                                      | 25   |
| RATED OPERATIONAL CURRENT<br>AC-22A 500 V, IE (A)                                      | 25   |
| RATED OPERATIONAL CURRENT<br>AC-22A 690 V, IE (A)                                      | 25   |
| RATED OPERATIONAL CURRENT<br>AC-23A 500 V, IE (A)                                      | 25   |
| RATED OPERATIONAL POWER, 3-<br>PHASE 1500 RPM SQUIRREL-CAGE<br>MOTOR AC-23A 415 V (KW) | 11   |
| RATED OPERATIONAL POWER, 3-<br>PHASE 1500 RPM SQUIRREL-CAGE<br>MOTOR AC-23A 500 V (KW) | 15   |
| RATED FUSED SHORT-CIRCUIT<br>CURRENT, BACK-UP FUSE OPTION<br>1 (A)                     | 40   |
| RATED FUSED SHORT-CIRCUIT<br>CURRENT, R.M.S. IQ OPTION 1<br>(KA)                       | 50   |
| RATED FUSED SHORT-CIRCUIT<br>CURRENT, PEAK VALUE (KA)                                  | 6    |
| RATED IMPULSE WITHSTAND<br>VOLTAGE, UIMP (KV)  | 8    |
| RATED SHORT-CIRCUIT MAKING<br>CAPACITY, ICM 690 V (KA)                                 | 2.5  |
| RATED SHORT-TIME WITHSTAND<br>CURRENT 1 S, ICW 690 V (KA)                              | 1.7  |
| RATED BREAKING CAPACITY, AC-<br>23A 415 V (A)  | 200  |
| RATED BREAKING CAPACITY, AC-<br>23A 500 V (A)  | 200  |
| RATED BREAKING CAPACITY, AC-<br>23A 690 V (A)  | 200  |
| ELECTRICAL ENDURANCE (NUMBER<br>OF OPERATIONS)   | 3000 |

|   |                   |
|---|-------------------|
| MECHANICAL ENDURANCE (NUMBER OF OPERATIONS) | 50000             |
| TERMINAL / BOLT SIZE CU (MM <sup>2</sup> )  | 1,5..16           |
| MAXIMUM TERMINAL TORQUE (NM)                | 1.8               |
| SWITCH TYPE                                 | Load Break Switch |