



| | |
|----------------|------------------|
| PRODUCT NUMBER | 34575 |
| GTIN | 6419410345757 |
| TECHNICAL NAME | 3x16A 400V 7.5kW |
| ETIM CLASS | EC000216 |

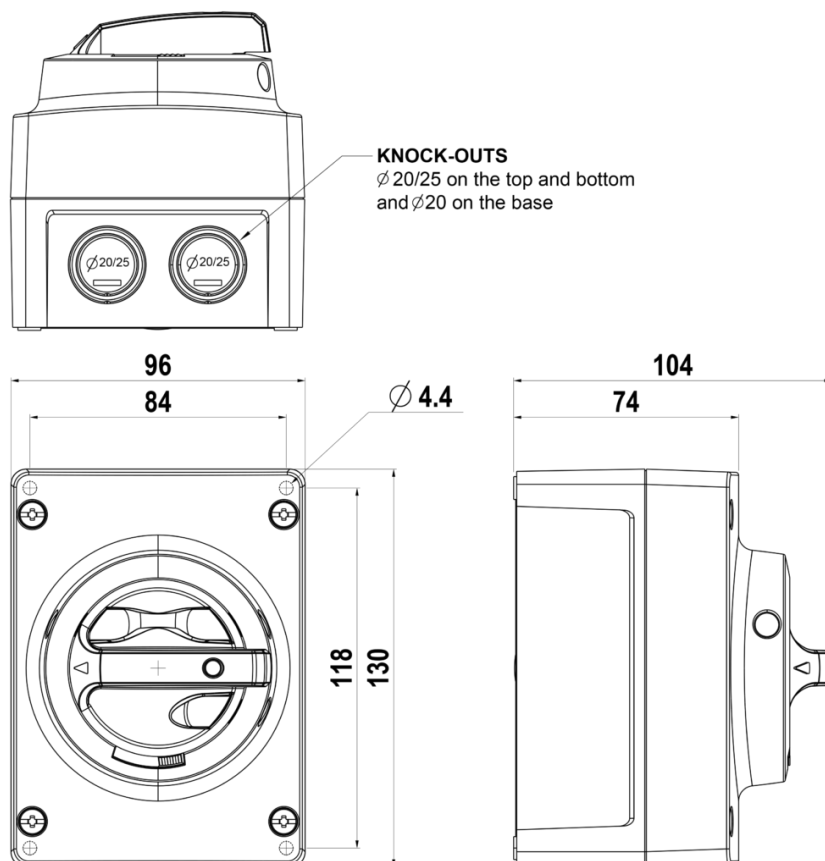
MEASUREMENTS

| | |
|--------|----------|
| HEIGHT | 130 mm |
| WIDTH | 96 mm |
| DEPTH | 104 mm |
| VOLUME | 1.2979 l |

LOGISTICAL DATA

| | |
|----------------|----------|
| SALES UNIT | 1 |
| PACKAGE SIZE 1 | 1 |
| PACKAGE SIZE 1 | 79.5 mm |
| DEPTH | |
| PACKAGE SIZE 1 | 158.5 mm |
| HEIGHT | |
| PACKAGE SIZE 1 | 104 mm |
| WIDTH | |
| PACKAGE SIZE 1 | 1.3105 l |
| VOLUME | |

DIMENSIONAL DRAWING



TECHNICAL DATA

| | |
|--|------------------------------------|
| NUMBER OF POLES | 3 |
| ENCLOSURE | M2 (96 x 130 x 74 mm) |
| ENCLOSURE TYPE | Polycarbonate |
| EMC | No |
| ATEX | No |
| CABLE ENTRIES | 3 x M25 (11,0-17,0 mm), plastic |
| IP RATING | IP66 |
| RATED OPERATIONAL CURRENT AC-23A 415 V, IE (A) | 16 |
| RATED INSULATION VOLTAGE, UI (V) | 690 |
| SWITCH TYPE DESCRIPTION | Change-over switch |
| NOMINAL VALUES WITH CABLE SIZE (MM ²) | 4 |
| RATED THERMAL CURRENT, ITH (A) | 25 |
| RATED THERMAL CURRENT (ENCLOSED), ITHE (A) | 25 |
| RATED OPERATIONAL CURRENT AC-21A 415 V, IE (A) | 16 |
| RATED OPERATIONAL CURRENT AC-22A 415 V, IE (A) | 16 |
| RATED OPERATIONAL POWER, 3- PHASE 1500 RPM SQUIRREL-CAGE MOTOR AC-23A 415 V (KW) | 7.5 |
| RATED IMPULSE WITHSTAND VOLTAGE, UIMP (KV) | 8 |
| RATED SHORT-CIRCUIT MAKING CAPACITY, ICM 415 V (KA) | 1.5 |
| RATED SHORT-TIME WITHSTAND CURRENT 1 S, ICW 415 V (KA) | 1.1 |
| RATED BREAKING CAPACITY, AC- 23A 415 V (A) | 128 |
| ELECTRICAL ENDURANCE (NUMBER OF OPERATIONS) | 3000 |

| | |
|---|------------|
| MECHANICAL ENDURANCE (NUMBER OF OPERATIONS) | 20000 |
| TERMINAL / BOLT SIZE CU (MM ²) | 1,5..16 |
| MAXIMUM TERMINAL TORQUE (NM) | 1.8 |
| SWITCH TYPE | Cam Switch |