




## IsoSafe KEA 660UL A4

6x40A 400V 22kW

PRODUCT NUMBER	34851
GTIN	6419410348512
TECHNICAL NAME	6x40A 400V 22kW
ETIM CLASS	EC000216

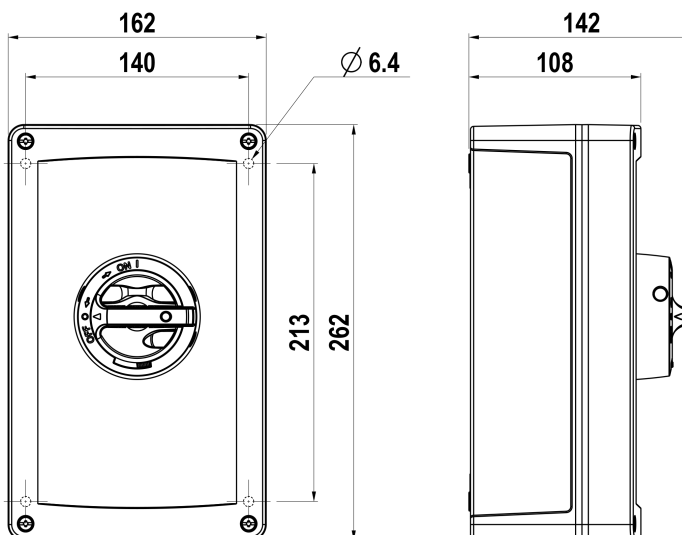
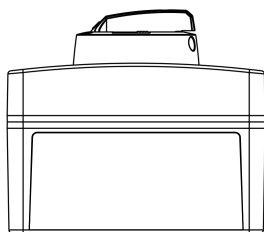
### MEASUREMENTS

HEIGHT	262 mm
WIDTH	162 mm
DEPTH	108 mm
VOLUME	4.584 l
NET WEIGHT	2.9588 kg

### LOGISTICAL DATA

PACKAGE SIZE 1 DEPTH	108 mm
PACKAGE SIZE 1 HEIGHT	262 mm
PACKAGE SIZE 1 WIDTH	162 mm
PACKAGE SIZE 1 WEIGHT	2.9588 kg
PACKAGE SIZE 1 VOLUME	4.584 l

### DIMENSIONAL DRAWING



## TECHNICAL DATA

NUMBER OF POLES	6
ENCLOSURE	A4 (162 x 262 x 108 mm)
ENCLOSURE TYPE	Aluminium
UL	UL 60947-4-1A
EMC	No
ATEX	No
IP RATING	IP66
AMPERE RATING (600V)	60
HP 208V	10
HP 415V	10
HP 480V	25
HP 600V	25
SWITCH TYPE DESCRIPTION	Manual motor controller
WIRE SIZE (CU ONLY)	12-4AWG