


 IsoSafe

KEM 360UL M3

3x40A 400V 22kW

PRODUCT NUMBER	35130
GTIN	6419410351307
E-NUMBER FI	3662571
TECHNICAL NAME	3x40A 400V 22kW
ETIM CLASS	EC000216

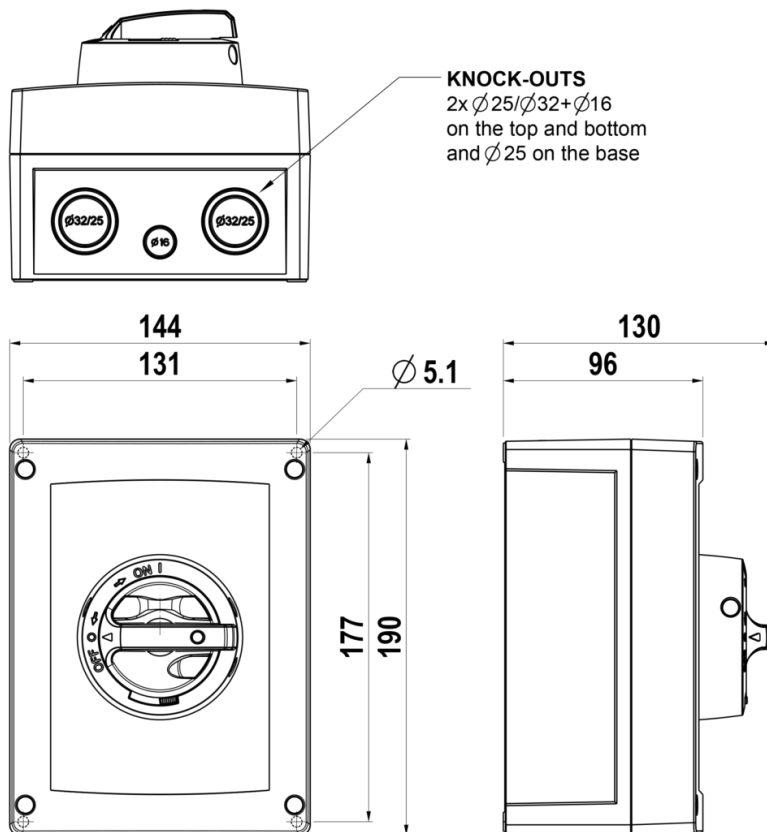
MEASUREMENTS

HEIGHT	190 mm
WIDTH	144 mm
DEPTH	96 mm
VOLUME	2.6266 l
NET WEIGHT	0.835 kg

LOGISTICAL DATA

PACKAGE SIZE 1 DEPTH	96 mm
PACKAGE SIZE 1 HEIGHT	190 mm
PACKAGE SIZE 1 WIDTH	144 mm
PACKAGE SIZE 1 WEIGHT	0.835 kg
PACKAGE SIZE 1 VOLUME	2.6266 l

DIMENSIONAL DRAWING



TECHNICAL DATA

NUMBER OF POLES	3
ENCLOSURE	M3 (144 x 190 x 96 mm)
ENCLOSURE TYPE	Polycarbonate
UL	UL 60947-4-1A
EMC	No
ATEX	No
IP RATING	IP66
AMPERE RATING (600V)	60
HP 208V	10
HP 415V	10
HP 480V	25
HP 600V	25
SWITCH TYPE DESCRIPTION	Manual motor controller
WIRE SIZE (CU ONLY)	12-4AWG