



IsoSafe KET 4200 T6

4x200A 400V 110kW

PRODUCT NUMBER	34131
GTIN	6419410341315
TECHNICAL NAME	4x200A 400V 110kW
ETIM CLASS	EC000216

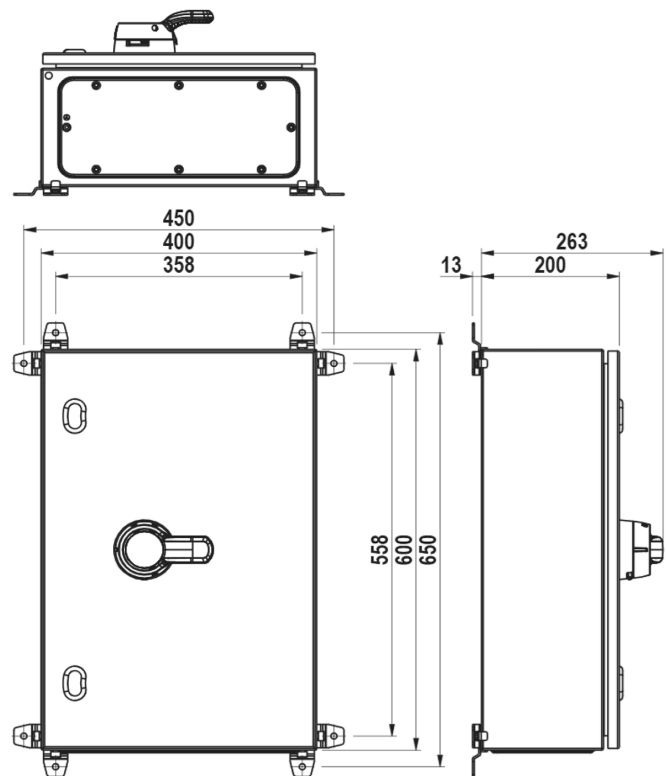
MEASUREMENTS

HEIGHT	600 mm
WIDTH	400 mm
DEPTH	200 mm
VOLUME	48 l
NET WEIGHT	17.0545 kg

LOGISTICAL DATA

SALES UNIT	1
PACKAGE SIZE 1	1
PACKAGE SIZE 1 DEPTH	106 mm
PACKAGE SIZE 1 HEIGHT	130.4 mm
PACKAGE SIZE 1 WIDTH	96.4 mm
PACKAGE SIZE 1 WEIGHT	17.0545 kg
PACKAGE SIZE 1 VOLUME	1.3325 l

DIMENSIONAL DRAWING



TECHNICAL DATA

NUMBER OF POLES	4
ENCLOSURE	T6 (400 x 600 x 200 mm)
ENCLOSURE TYPE	Painted sheet steel
EMC	No
ATEX	No
IP RATING	IP66
RATED OPERATIONAL CURRENT AC-23A 415 V, IE (A)	200
RATED OPERATIONAL CURRENT AC-23A 690 V, IE (A)	200
RATED OPERATIONAL POWER, 3- PHASE 1500 RPM SQUIRREL-CAGE MOTOR AC-23A 690 V (KW)	160
RATED INSULATION VOLTAGE, UI (V)	1000
SWITCH TYPE DESCRIPTION	Isolating switch
NOMINAL VALUES WITH CABLE SIZE (MM ²)	95
RATED THERMAL CURRENT, ITH (A)	250
RATED THERMAL CURRENT (ENCLOSED), ITHE (A)	250
RATED OPERATIONAL CURRENT AC-21A 415 V, IE (A)	200
RATED OPERATIONAL CURRENT AC-21A 500 V, IE (A)	200
RATED OPERATIONAL CURRENT AC-21A 690 V, IE (A)	200
RATED OPERATIONAL CURRENT AC-22A 415 V, IE (A)	200
RATED OPERATIONAL CURRENT AC-22A 500 V, IE (A)	200
RATED OPERATIONAL CURRENT AC-22A 690 V, IE (A)	200

RATED OPERATIONAL CURRENT AC-23A 500 V, IE (A)	200
RATED OPERATIONAL POWER, 3- PHASE 1500 RPM SQUIRREL-CAGE MOTOR AC-23A 415 V (KW)	110
RATED OPERATIONAL POWER, 3- PHASE 1500 RPM SQUIRREL-CAGE MOTOR AC-23A 500 V (KW)	132
RATED FUSED SHORT-CIRCUIT CURRENT, BACK-UP FUSE OPTION 1 (A)	250
RATED FUSED SHORT-CIRCUIT CURRENT, R.M.S. IQ OPTION 1 (KA)	100
RATED FUSED SHORT-CIRCUIT CURRENT, BACK-UP FUSE OPTION 2 (A)	315
RATED FUSED SHORT-CIRCUIT CURRENT, R.M.S. IQ OPTION 2 (KA)	50
RATED FUSED SHORT-CIRCUIT CURRENT, PEAK VALUE (KA)	26
RATED IMPULSE WITHSTAND VOLTAGE, UIMP (KV)	12
RATED SHORT-CIRCUIT MAKING CAPACITY, ICM 690 V (KA)	14
RATED SHORT-TIME WITHSTAND CURRENT 1 S, ICW 1000 V (KA)	8
RATED BREAKING CAPACITY, AC- 23A 415 V (A)	1600
RATED BREAKING CAPACITY, AC- 23A 500 V (A)	1600
RATED BREAKING CAPACITY, AC- 23A 690 V (A)	1600
ELECTRICAL ENDURANCE (NUMBER OF OPERATIONS)	2000
MECHANICAL ENDURANCE (NUMBER OF OPERATIONS)	16000
TERMINAL / BOLT SIZE CU (MM ²)	M8
MAXIMUM TERMINAL TORQUE (NM)	15..22

We continuously improve our products; specifications, features and appearances may change without prior notice.

SWITCH TYPE

Load Break Switch