

 **LoadSafe**
RT 340 L42AD11

3x40A 690V AC-22

| | |
|----------------|------------------|
| PRODUCT NUMBER | 26130 |
| GTIN | 6419410261309 |
| E-NUMBER FI | 3609691 |
| TECHNICAL NAME | 3x40A 690V AC-22 |
| ETIM CLASS | EC000216 |

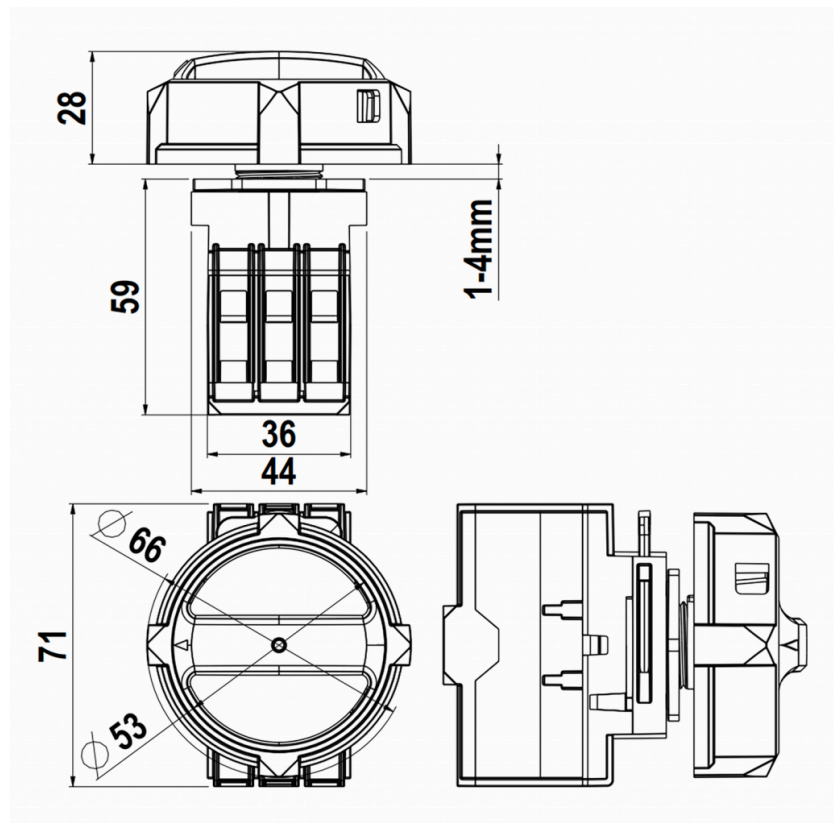
MEASUREMENTS

| | |
|------------|-----------|
| HEIGHT | 59 mm |
| WIDTH | 71 mm |
| DEPTH | 36 mm |
| VOLUME | 0.1508 l |
| NET WEIGHT | 0.1469 kg |

LOGISTICAL DATA

| | |
|----------------|-----------|
| SALES UNIT | 1 |
| PACKAGE SIZE 1 | 1 |
| PACKAGE SIZE 1 | 36 mm |
| DEPTH | |
| PACKAGE SIZE 1 | 59 mm |
| HEIGHT | |
| PACKAGE SIZE 1 | 36 mm |
| WIDTH | |
| PACKAGE SIZE 1 | 0.1469 kg |
| WEIGHT | |
| PACKAGE SIZE 1 | 0.0765 l |
| VOLUME | |

DIMENSIONAL DRAWING



TECHNICAL DATA

| | |
|--|-----|
| NUMBER OF POLES | 3 |
| ATEX | No |
| RATED OPERATIONAL CURRENT AC-23A 415 V, IE (A) | 40 |
| RATED OPERATIONAL CURRENT AC-23A 690 V, IE (A) | 25 |
| RATED OPERATIONAL POWER, 3- PHASE 1500 RPM SQUIRREL-CAGE MOTOR AC-23A 690 V (KW) | 22 |
| RATED INSULATION VOLTAGE, UI (V) | 800 |
| NOMINAL VALUES WITH CABLE SIZE (MM ²) | 16 |
| RATED THERMAL CURRENT, ITH (A) | 63 |
| RATED OPERATIONAL CURRENT AC-21A 415 V, IE (A) | 40 |
| RATED OPERATIONAL CURRENT AC-21A 500 V, IE (A) | 40 |
| RATED OPERATIONAL CURRENT AC-21A 690 V, IE (A) | 40 |
| RATED OPERATIONAL CURRENT AC-22A 415 V, IE (A) | 40 |
| RATED OPERATIONAL CURRENT AC-22A 500 V, IE (A) | 40 |
| RATED OPERATIONAL CURRENT AC-22A 690 V, IE (A) | 40 |
| RATED OPERATIONAL CURRENT AC-23A 500 V, IE (A) | 25 |
| RATED OPERATIONAL POWER, 3- PHASE 1500 RPM SQUIRREL-CAGE MOTOR AC-23A 415 V (KW) | 22 |

| | |
|---|-----------------|
| RATED OPERATIONAL POWER, 3-PHASE 1500 RPM SQUIRREL-CAGE MOTOR AC-23A 500 V (KW) | 15 |
| RATED FUSED SHORT-CIRCUIT CURRENT, BACK-UP FUSE OPTION 1 (A) | 40 |
| RATED FUSED SHORT-CIRCUIT CURRENT, R.M.S. IQ OPTION 1 (KA) | 25 |
| RATED FUSED SHORT-CIRCUIT CURRENT, PEAK VALUE (KA) | 4.5 |
| RATED IMPULSE WITHSTAND VOLTAGE, UIMP (KV) | 8 |
| RATED SHORT-CIRCUIT MAKING CAPACITY, ICM 690 V (KA) | 1 |
| RATED SHORT-TIME WITHSTAND CURRENT 1 S, ICW 690 V (KA) | 0.7 |
| RATED BREAKING CAPACITY, AC-23A 415 V (A) | 320 |
| RATED BREAKING CAPACITY, AC-23A 500 V (A) | 200 |
| RATED BREAKING CAPACITY, AC-23A 690 V (A) | 200 |
| ELECTRICAL ENDURANCE (NUMBER OF OPERATIONS) | 3000 |
| MECHANICAL ENDURANCE (NUMBER OF OPERATIONS) | 50000 |
| TERMINAL / BOLT SIZE CU (MM ²) | 1,5..16 |
| MAXIMUM TERMINAL TORQUE (NM) | 1.8 |
| SWITCH TYPE | KU 340 / KU 440 |