



ConnectSafe

KL5X1X16



PRODUCT NUMBER	33428
GTIN	6419410334287
E-NUMBER FI	1942174
ETIM CLASS	EC000897

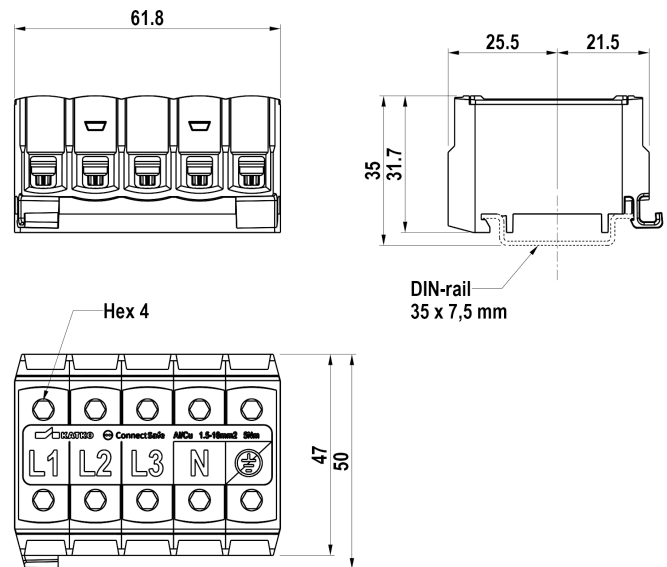
MEASUREMENTS

HEIGHT	61.8 mm
WIDTH	48 mm
DEPTH	31.7 mm
VOLUME	0.094 l
NET WEIGHT	0.1 kg

LOGISTICAL DATA

PACKAGE SIZE 1	10
PACKAGE SIZE 1	0.1 kg
WEIGHT	

DIMENSIONAL DRAWING



TECHNICAL DATA

ATEX	No
TORQUE AL/CU (NM)	5
KEY SIZE	Hex 4
IN (AL) (A)	75
IN (CU) (A)	76
AL MM ²	1,5-16
CU MM ²	1,5-16
NOMINAL VOLTAGE	1000V AC