




ConnectSafe

KL2X95PE

PRODUCT NUMBER	37836
GTIN	6419410378366
E-NUMBER FI	1942072
ETIM CLASS	EC000897

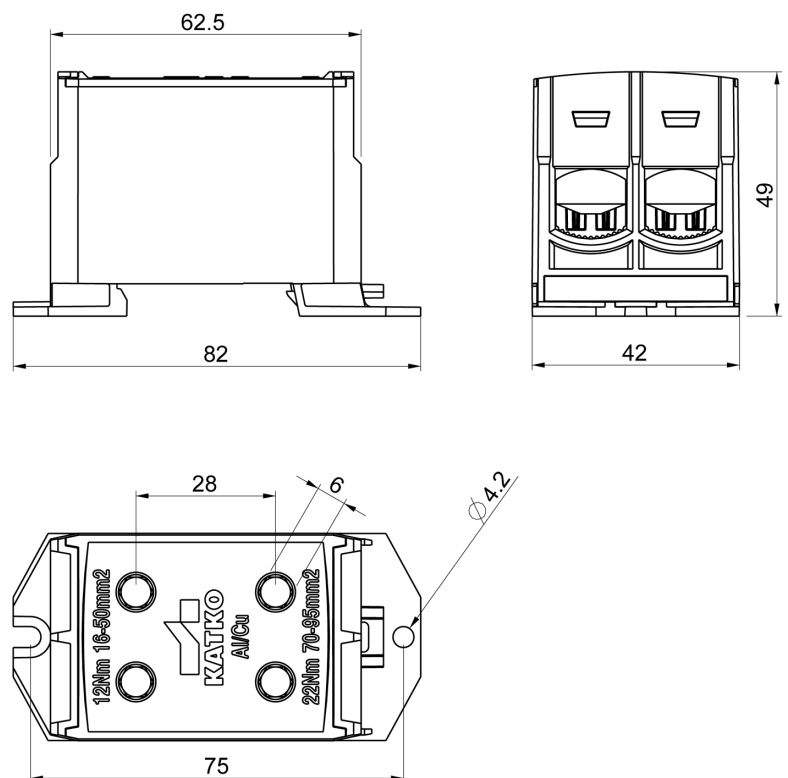
MEASUREMENTS

HEIGHT	62.5 mm
WIDTH	42 mm
DEPTH	49 mm
VOLUME	0.1286 l
NET WEIGHT	0.1993 kg

LOGISTICAL DATA

PACKAGE SIZE 1	12
PACKAGE SIZE 1 WEIGHT	0.1993 kg

DIMENSIONAL DRAWING



TECHNICAL DATA

ATEX	No
TORQUE AL/CU (NM)	12 (16 – 50 mm ²) / 22 (70 – 95 mm ²)
KEY SIZE	Hex 6
IN (AL) (A)	400
IN (CU) (A)	490
AL MM ²	6–95
CU MM ²	6–95
NOMINAL VOLTAGE	1000V AC / 1500V DC