



ConnectSafe

KL3X1X50N



PRODUCT NUMBER	20562
GTIN	6419410205624
E-NUMBER FI	1942136
ETIM CLASS	EC000897

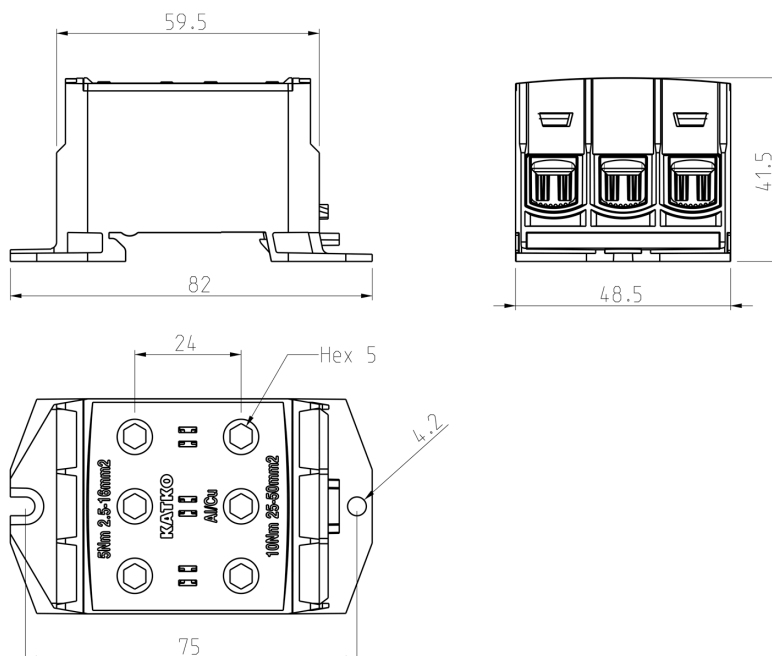
MEASUREMENTS

HEIGHT	59.5 mm
WIDTH	48.5 mm
DEPTH	41.5 mm
VOLUME	0.1198 l
NET WEIGHT	0.1449 kg

LOGISTICAL DATA

PACKAGE SIZE 1	10
PACKAGE SIZE 1 WEIGHT	0.1449 kg

DIMENSIONAL DRAWING



TECHNICAL DATA

ATEX	No
TORQUE AL/CU (NM)	5 (2,5 - 16 mm ²) / 10 (25 - 50 mm ²)
KEY SIZE	Hex 5
IN (AL) (A)	160
IN (CU) (A)	160
AL MM ²	2,5-50
CU MM ²	2,5-50
NOMINAL VOLTAGE	1000V AC / 1500V DC