




## ConnectSafe

# KL3X95N

PRODUCT NUMBER	20565
GTIN	6419410205655
E-NUMBER FI	1942139
ETIM CLASS	EC000897

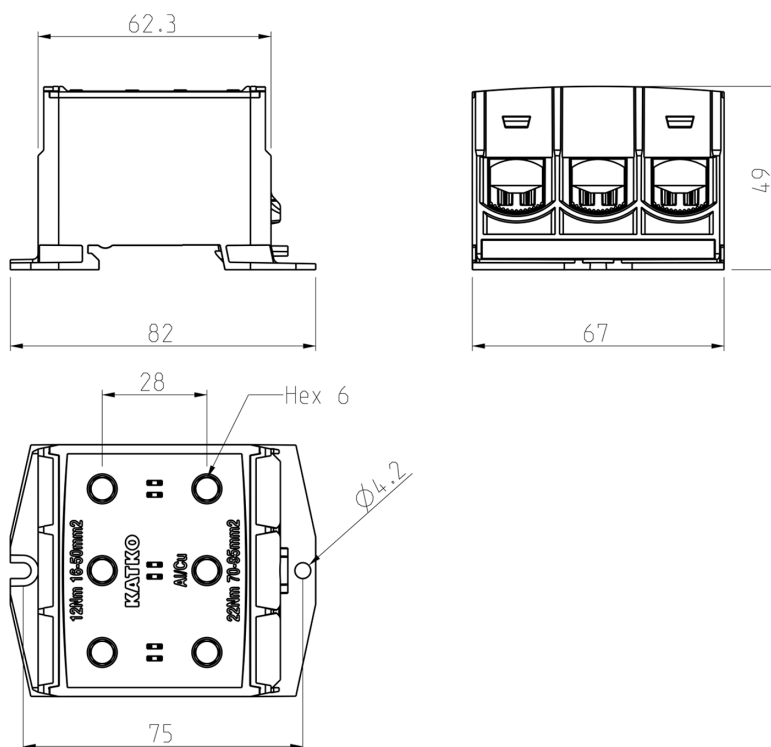
## MEASUREMENTS

HEIGHT	62.3 mm
WIDTH	67 mm
DEPTH	49 mm
VOLUME	0.2045 l
NET WEIGHT	0.295 kg

## LOGISTICAL DATA

PACKAGE SIZE 1	6
PACKAGE SIZE 1 WEIGHT	0.295 kg

## DIMENSIONAL DRAWING



## TECHNICAL DATA

ATEX	No
TORQUE AL/CU (NM)	12 (16 – 50 mm <sup>2</sup> ) / 22 (70 – 95 mm <sup>2</sup> )
KEY SIZE	Hex 6
IN (AL) (A)	400
IN (CU) (A)	490
AL MM <sup>2</sup>	6–95
CU MM <sup>2</sup>	6–95
NOMINAL VOLTAGE	1000V AC / 1500V DC