



IsoSafe KEA 380CUL A4

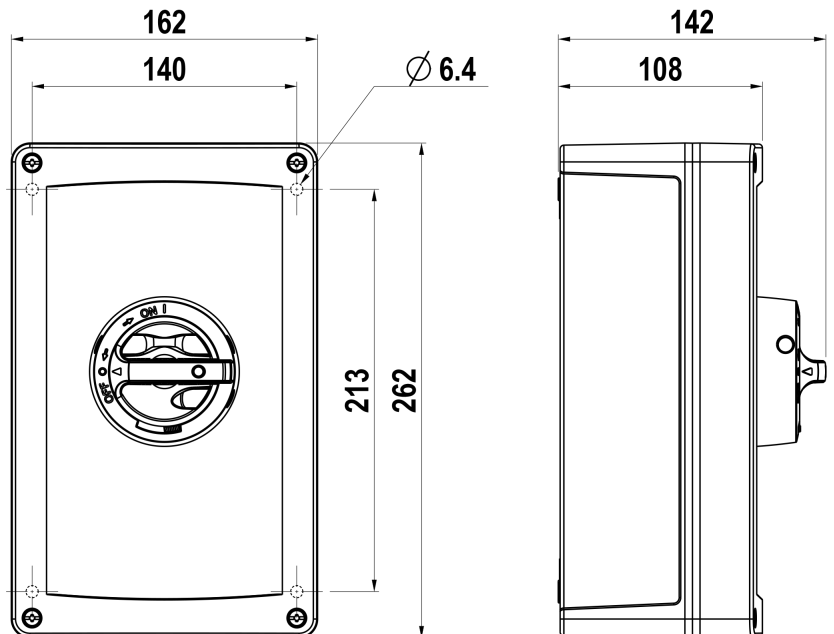
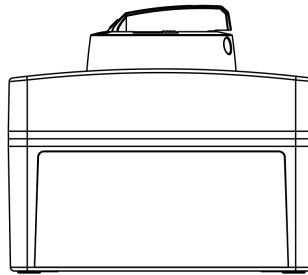
3x63A 400V 30kW

PRODUCT NUMBER	35186
GTIN	6419410351864
TECHNICAL NAME	3x63A 400V 30kW
ETIM CLASS	EC000216

MEASUREMENTS

HEIGHT	262 mm
WIDTH	162 mm
DEPTH	108 mm
VOLUME	4.584 l
NET WEIGHT	2.688 kg

DIMENSIONAL DRAWING



LOGISTICAL DATA

PACKAGE SIZE 1	2.688 kg
WEIGHT	

TECHNICAL DATA

NUMBER OF POLES	3
ENCLOSURE	A4 (162 x 262 x 108 mm)
ENCLOSURE TYPE	Aluminium
UL	UL 60947-4-1A
EMC	No
ATEX	No
IP RATING	IP66
AMPERE RATING (600V)	80
HP 208V	10
HP 415V	15
HP 480V	30
HP 600V	30
SWITCH TYPE DESCRIPTION	Manual motor controller
WIRE SIZE (CU ONLY)	12-4AWG