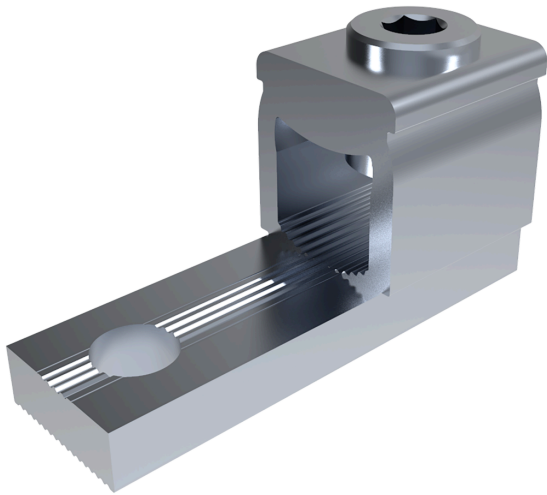


KKL1X120

1x16-120mm² Al/Cu



PRODUCT NUMBER	29257
GTIN	6419410292570
E-NUMBER FI	1942147
TECHNICAL NAME	1x16-120mm ² Al/Cu
ETIM CLASS	EC001284

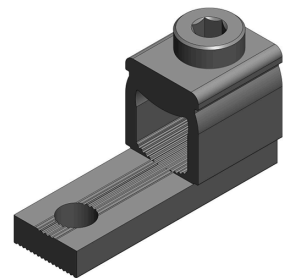
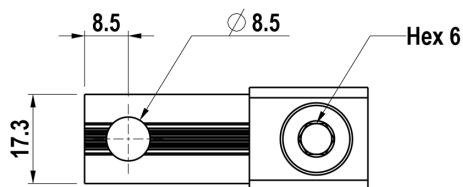
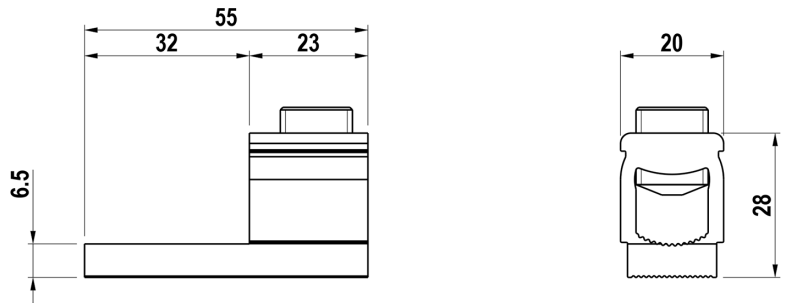
MEASUREMENTS

HEIGHT	28 mm
WIDTH	20 mm
DEPTH	55 mm
VOLUME	0.0308 l
NET WEIGHT	0.0896 kg

LOGISTICAL DATA

PACKAGE SIZE 1	20
PACKAGE SIZE 1	0.0896 kg
WEIGHT	

DIMENSIONAL DRAWING



TECHNICAL DATA

ATEX	No
TORQUE AL/CU (NM)	12 (16-50 mm ²) / 22 (70-120 mm ²)
KEY SIZE	Hex 6
IN (AL) (A)	200
IN (CU) (A)	245
AL MM ²	16-120
CU MM ²	16-120