




ConnectSafe

KL2X50N

PRODUCT NUMBER	37829
GTIN	6419410378298
E-NUMBER FI	1942065
ETIM CLASS	EC000897

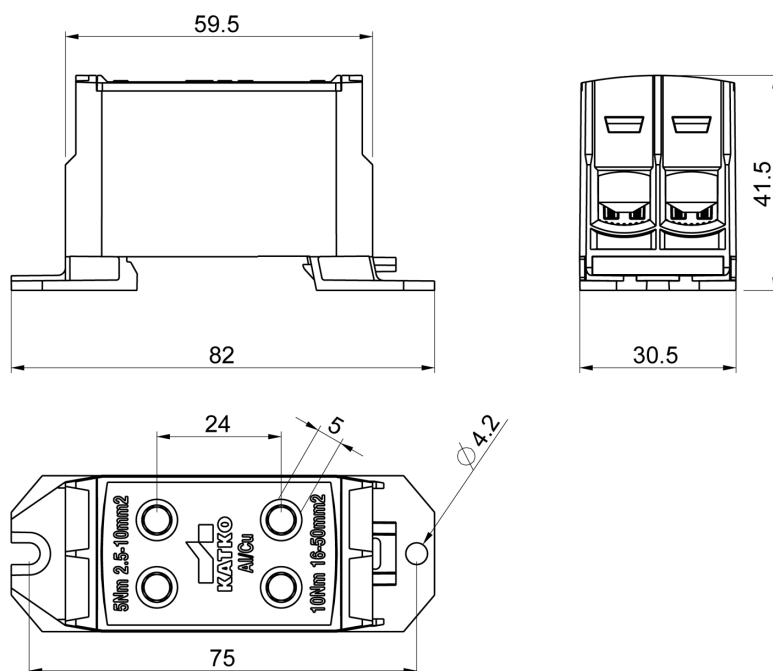
MEASUREMENTS

HEIGHT	59.5 mm
WIDTH	30.5 mm
DEPTH	41.5 mm
VOLUME	0.0753 l
NET WEIGHT	0.132 kg

LOGISTICAL DATA

PACKAGE SIZE 1	18
PACKAGE SIZE 1 WEIGHT	0.132 kg

DIMENSIONAL DRAWING



TECHNICAL DATA

UL	UL 1059, CAN/CSA C22.2 No. 158-10
ATEX	No
TORQUE AL/CU (NM)	5 (2,5 - 16 mm ²) / 10 (25 - 50 mm ²)
KEY SIZE	Hex 5
IN (AL) (A)	200
IN (CU) (A)	320
AL MM ²	2,5-50
CU MM ²	2,5-50
NOMINAL VOLTAGE	1000V AC / 1500V DC
LINE/LOAD WIRE SIZE-STR CU/AL (KCMIL/AWG)	1/0 - 6
TORQUE AL/CU LB-IN	90
AMPERE AL (A)	240
AMPERE CU (A)	300