



LoadSafe KUE 340 KKUE

3x40A 690V AC-22

| | |
|----------------|------------------|
| PRODUCT NUMBER | 20051 |
| GTIN | 6419410200513 |
| E-NUMBER FI | 3635024 |
| TECHNICAL NAME | 3x40A 690V AC-22 |
| ETIM CLASS | EC000216 |

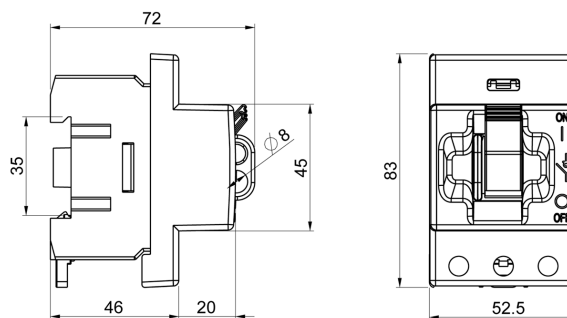
MEASUREMENTS

| | |
|------------|----------|
| HEIGHT | 72 mm |
| WIDTH | 53 mm |
| DEPTH | 83 mm |
| VOLUME | 0.3167 l |
| NET WEIGHT | 0.212 kg |

LOGISTICAL DATA

| | |
|--------------------------|----------|
| SALES UNIT | 1 |
| PACKAGE SIZE 1 | 1 |
| PACKAGE SIZE 1 DEPTH | 83 mm |
| PACKAGE SIZE 1 HEIGHT | 72 mm |
| PACKAGE SIZE 1 WIDTH | 83 mm |
| PACKAGE SIZE 1 WEIGHT | 0.212 kg |
| PACKAGE SIZE 1 VOLUME | 0.496 l |

DIMENSIONAL DRAWING



TECHNICAL DATA

| | |
|--|---------------|
| NUMBER OF POLES | 3 |
| UL | UL 60947-4-1A |
| ATEX | No |
| RATED OPERATIONAL CURRENT AC-23A 415 V, IE (A) | 25 |
| RATED OPERATIONAL CURRENT AC-23A 690 V, IE (A) | 20 |
| RATED OPERATIONAL POWER, 3- PHASE 1500 RPM SQUIRREL-CAGE MOTOR AC-23A 690 V (KW) | 15 |
| RATED INSULATION VOLTAGE, UI (V) | 800 |
| AMPERE RATING (600V) | 40 |
| HP 208V | 7.5 |
| HP 480V | 20 |
| HP 600V | 15 |
| WIRE SIZE (CU ONLY) | 14-8 AWG |
| NOMINAL VALUES WITH CABLE SIZE (MM ²) | 16 |
| RATED THERMAL CURRENT, ITH (A) | 63 |
| RATED OPERATIONAL CURRENT AC-21A 415 V, IE (A) | 63 |
| RATED OPERATIONAL CURRENT AC-21A 500 V, IE (A) | 63 |
| RATED OPERATIONAL CURRENT AC-21A 690 V, IE (A) | 63 |
| RATED OPERATIONAL CURRENT AC-22A 415 V, IE (A) | 40 |
| RATED OPERATIONAL CURRENT AC-22A 500 V, IE (A) | 40 |
| RATED OPERATIONAL CURRENT AC-22A 690 V, IE (A) | 40 |
| RATED OPERATIONAL CURRENT AC-23A 500 V, IE (A) | 20 |

| | |
|---|-------------------|
| RATED OPERATIONAL POWER, 3-PHASE 1500 RPM SQUIRREL-CAGE MOTOR AC-23A 415 V (KW) | 11 |
| RATED OPERATIONAL POWER, 3-PHASE 1500 RPM SQUIRREL-CAGE MOTOR AC-23A 500 V (KW) | 11 |
| RATED FUSED SHORT-CIRCUIT CURRENT, BACK-UP FUSE OPTION 1 (A) | 63 |
| RATED FUSED SHORT-CIRCUIT CURRENT, R.M.S. IQ OPTION 1 (KA) | 50 |
| RATED FUSED SHORT-CIRCUIT CURRENT, PEAK VALUE (KA) | 7.2 |
| RATED IMPULSE WITHSTAND VOLTAGE, UIMP (KV) | 8 |
| RATED SHORT-CIRCUIT MAKING CAPACITY, ICM 690 V (KA) | 2.5 |
| RATED SHORT-TIME WITHSTAND CURRENT 1 S, ICW 690 V (KA) | 1.7 |
| RATED BREAKING CAPACITY, AC-23A 415 V (A) | 200 |
| RATED BREAKING CAPACITY, AC-23A 500 V (A) | 160 |
| RATED BREAKING CAPACITY, AC-23A 690 V (A) | 160 |
| ELECTRICAL ENDURANCE (NUMBER OF OPERATIONS) | 3000 |
| MECHANICAL ENDURANCE (NUMBER OF OPERATIONS) | 50000 |
| TERMINAL / BOLT SIZE CU (MM ²) | 1,5..16 |
| MAXIMUM TERMINAL TORQUE (NM) | 1.8 |
| SWITCH TYPE | Load Break Switch |