



 IsoSafe  
**KET 6100 T5**

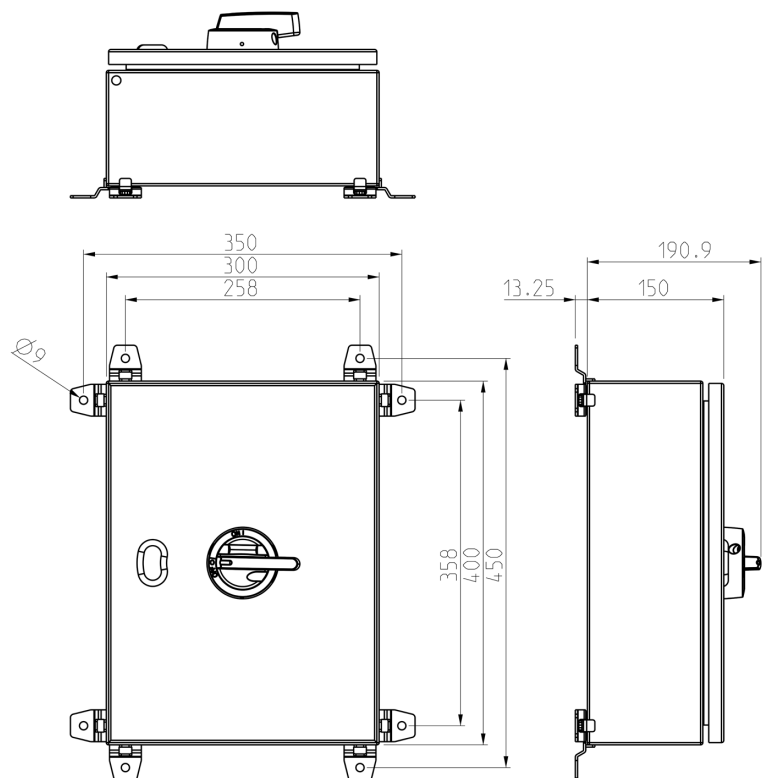
**6x100A 400V 55kW**

|                |                  |
|----------------|------------------|
| PRODUCT NUMBER | 31528            |
| GTIN           | 6419410315286    |
| TECHNICAL NAME | 6x100A 400V 55kW |
| ETIM CLASS     | EC000216         |

### MEASUREMENTS

|            |           |
|------------|-----------|
| HEIGHT     | 400 mm    |
| WIDTH      | 300 mm    |
| DEPTH      | 150 mm    |
| VOLUME     | 18 l      |
| NET WEIGHT | 8.9029 kg |

### DIMENSIONAL DRAWING



### LOGISTICAL DATA

|                       |           |
|-----------------------|-----------|
| SALES UNIT            | 1         |
| PACKAGE SIZE 1        | 1         |
| PACKAGE SIZE 1 DEPTH  | 180 mm    |
| PACKAGE SIZE 1 HEIGHT | 560 mm    |
| PACKAGE SIZE 1 WIDTH  | 380 mm    |
| PACKAGE SIZE 1 WEIGHT | 8.9029 kg |
| PACKAGE SIZE 1 VOLUME | 38.304 l  |

## TECHNICAL DATA

|  |                         |
|--|-------------------------|
| NUMBER OF POLES  | 6                       |
| ENCLOSURE  | T5 (300 x 400 x 150 mm) |
| ENCLOSURE TYPE   | Painted sheet steel     |
| EMC  | No                      |
| ATEX   | No                      |
| IP RATING  | IP66                    |
| RATED OPERATIONAL CURRENT<br>AC-23A 415 V, IE (A)                                      | 100                     |
| RATED OPERATIONAL CURRENT<br>AC-23A 690 V, IE (A)                                      | 63                      |
| RATED OPERATIONAL POWER, 3-<br>PHASE 1500 RPM SQUIRREL-CAGE<br>MOTOR AC-23A 690 V (KW) | 55                      |
| RATED INSULATION VOLTAGE, UI<br>(V)  | 800                     |
| SWITCH TYPE DESCRIPTION  | Isolating switch        |
| NOMINAL VALUES WITH CABLE<br>SIZE (MM <sup>2</sup> )                                   | 70                      |
| RATED THERMAL CURRENT, ITH<br>(A)  | 125                     |
| RATED THERMAL CURRENT<br>(ENCLOSED), ITHE (A)  | 125                     |
| RATED OPERATIONAL CURRENT<br>AC-21A 415 V, IE (A)                                      | 125                     |
| RATED OPERATIONAL CURRENT<br>AC-21A 500 V, IE (A)                                      | 125                     |
| RATED OPERATIONAL CURRENT<br>AC-21A 690 V, IE (A)                                      | 125                     |
| RATED OPERATIONAL CURRENT<br>AC-22A 415 V, IE (A)                                      | 100                     |
| RATED OPERATIONAL CURRENT<br>AC-22A 500 V, IE (A)                                      | 100                     |
| RATED OPERATIONAL CURRENT<br>AC-22A 690 V, IE (A)                                      | 100                     |

|  |                   |
|--|-------------------|
| RATED OPERATIONAL CURRENT<br>AC-23A 500 V, IE (A)                                      | 63                |
| RATED OPERATIONAL POWER, 3-<br>PHASE 1500 RPM SQUIRREL-CAGE<br>MOTOR AC-23A 415 V (KW) | 55                |
| RATED OPERATIONAL POWER, 3-<br>PHASE 1500 RPM SQUIRREL-CAGE<br>MOTOR AC-23A 500 V (KW) | 37                |
| RATED FUSED SHORT-CIRCUIT<br>CURRENT, BACK-UP FUSE OPTION<br>1 (A)                     | 160               |
| RATED FUSED SHORT-CIRCUIT<br>CURRENT, R.M.S. IQ OPTION 1<br>(KA)                       | 65                |
| RATED FUSED SHORT-CIRCUIT<br>CURRENT, PEAK VALUE (KA)                                  | 15                |
| RATED IMPULSE WITHSTAND<br>VOLTAGE, UIMP (KV)  | 8                 |
| RATED SHORT-CIRCUIT MAKING<br>CAPACITY, ICM 690 V (KA)                                 | 8                 |
| RATED SHORT-TIME WITHSTAND<br>CURRENT 1 S, ICW 690 V (KA)                              | 5                 |
| RATED BREAKING CAPACITY, AC-<br>23A 415 V (A)  | 640               |
| RATED BREAKING CAPACITY, AC-<br>23A 500 V (A)  | 504               |
| RATED BREAKING CAPACITY, AC-<br>23A 690 V (A)  | 504               |
| ELECTRICAL ENDURANCE (NUMBER<br>OF OPERATIONS)   | 2000              |
| MECHANICAL ENDURANCE (NUMBER<br>OF OPERATIONS)   | 16000             |
| TERMINAL / BOLT SIZE CU<br>(MM <sup>2</sup> )  | 6..70             |
| MAXIMUM TERMINAL TORQUE (NM)   | 6                 |
| SWITCH TYPE  | Load Break Switch |