


 IsoSafe

KER 3160 RA5RS

3x160A 400V 90kW

| | |
|----------------|------------------|
| PRODUCT NUMBER | 35785 |
| GTIN | 6419410357859 |
| TECHNICAL NAME | 3x160A 400V 90kW |
| ETIM CLASS | EC000216 |

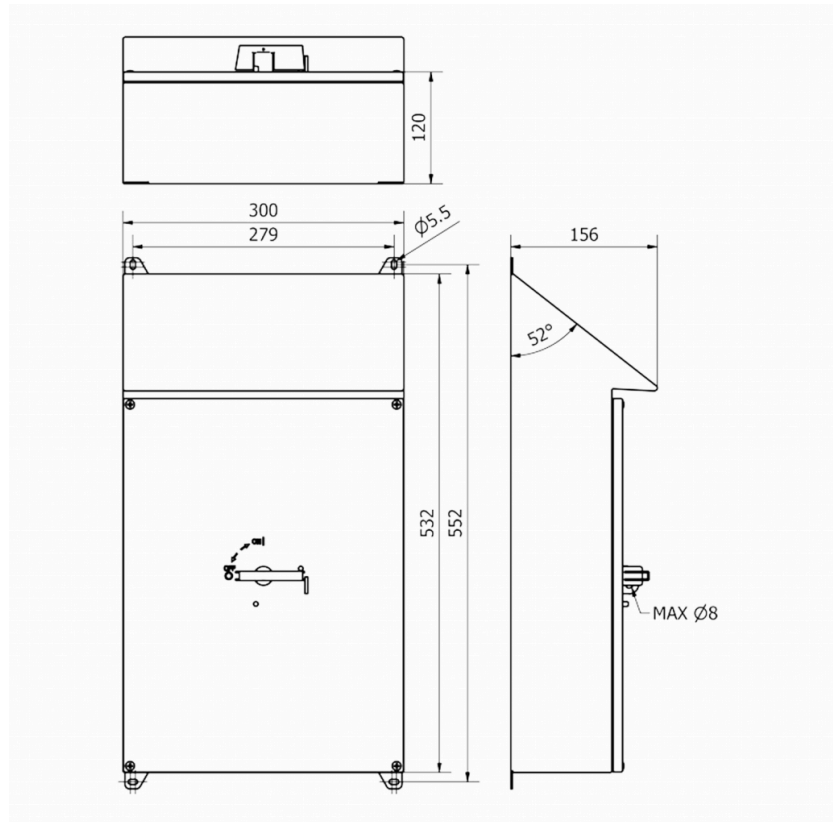
MEASUREMENTS

| | |
|------------|-----------|
| HEIGHT | 532 mm |
| WIDTH | 300 mm |
| DEPTH | 156 mm |
| VOLUME | 24.8976 l |
| NET WEIGHT | 8.8987 kg |

LOGISTICAL DATA

| | |
|----------------|-----------|
| SALES UNIT | 1 |
| PACKAGE SIZE 1 | 1 |
| PACKAGE SIZE 1 | 156 mm |
| DEPTH | |
| PACKAGE SIZE 1 | 532 mm |
| HEIGHT | |
| PACKAGE SIZE 1 | 300 mm |
| WIDTH | |
| PACKAGE SIZE 1 | 8.8987 kg |
| WEIGHT | |
| PACKAGE SIZE 1 | 24.8976 l |
| VOLUME | |

DIMENSIONAL DRAWING



TECHNICAL DATA

| | |
|--|--|
| NUMBER OF POLES | 3 |
| ENCLOSURE | RA5RS (300 x 532 x 156 mm) |
| ENCLOSURE TYPE | Stainless steel enclosure (AISI 316L) |
| EMC | No |
| ATEX | No |
| IP RATING | IP66 |
| RATED OPERATIONAL CURRENT AC-23A 415 V, IE (A) | 160 |
| RATED OPERATIONAL CURRENT AC-23A 690 V, IE (A) | 100 |
| RATED OPERATIONAL POWER, 3- PHASE 1500 RPM SQUIRREL-CAGE MOTOR AC-23A 690 V (KW) | 90 |
| RATED INSULATION VOLTAGE, UI (V) | 800 |
| SWITCH TYPE DESCRIPTION | Isolating switch |
| NOMINAL VALUES WITH CABLE SIZE (MM ²) | 95 |
| RATED THERMAL CURRENT, ITH (A) | 200 |
| RATED THERMAL CURRENT (ENCLOSED), ITHE (A) | 200 |
| RATED OPERATIONAL CURRENT AC-21A 415 V, IE (A) | 160 |
| RATED OPERATIONAL CURRENT AC-21A 500 V, IE (A) | 160 |
| RATED OPERATIONAL CURRENT AC-21A 690 V, IE (A) | 160 |
| RATED OPERATIONAL CURRENT AC-22A 415 V, IE (A) | 160 |
| RATED OPERATIONAL CURRENT AC-22A 500 V, IE (A) | 160 |
| RATED OPERATIONAL CURRENT AC-22A 690 V, IE (A) | 160 |

| | |
|--|-------------------|
| RATED OPERATIONAL CURRENT AC-23A 500 V, IE (A) | 100 |
| RATED OPERATIONAL POWER, 3- PHASE 1500 RPM SQUIRREL-CAGE MOTOR AC-23A 415 V (KW) | 90 |
| RATED OPERATIONAL POWER, 3- PHASE 1500 RPM SQUIRREL-CAGE MOTOR AC-23A 500 V (KW) | 55 |
| RATED FUSED SHORT-CIRCUIT CURRENT, BACK-UP FUSE OPTION 1 (A) | 160 |
| RATED FUSED SHORT-CIRCUIT CURRENT, R.M.S. IQ OPTION 1 (KA) | 65 |
| RATED FUSED SHORT-CIRCUIT CURRENT, PEAK VALUE (KA) | 15 |
| RATED IMPULSE WITHSTAND VOLTAGE, UIMP (KV) | 8 |
| RATED SHORT-CIRCUIT MAKING CAPACITY, ICM 690 V (KA) | 8 |
| RATED SHORT-TIME WITHSTAND CURRENT 1 S, ICW 690 V (KA) | 5 |
| RATED BREAKING CAPACITY, AC- 23A 415 V (A) | 1280 |
| RATED BREAKING CAPACITY, AC- 23A 500 V (A) | 800 |
| RATED BREAKING CAPACITY, AC- 23A 690 V (A) | 800 |
| ELECTRICAL ENDURANCE (NUMBER OF OPERATIONS) | 2000 |
| MECHANICAL ENDURANCE (NUMBER OF OPERATIONS) | 16000 |
| TERMINAL / BOLT SIZE CU (MM ²) | 6..70 |
| MAXIMUM TERMINAL TORQUE (NM) | 6 |
| SWITCH TYPE | Load Break Switch |