


 IsoSafe

## ISF 416UL M2

4x16A 400V 7.5kW

PRODUCT NUMBER	29485
GTIN	6419410294857
E-NUMBER FI	3662558
TECHNICAL NAME	4x16A 400V 7.5kW
ETIM CLASS	EC000216

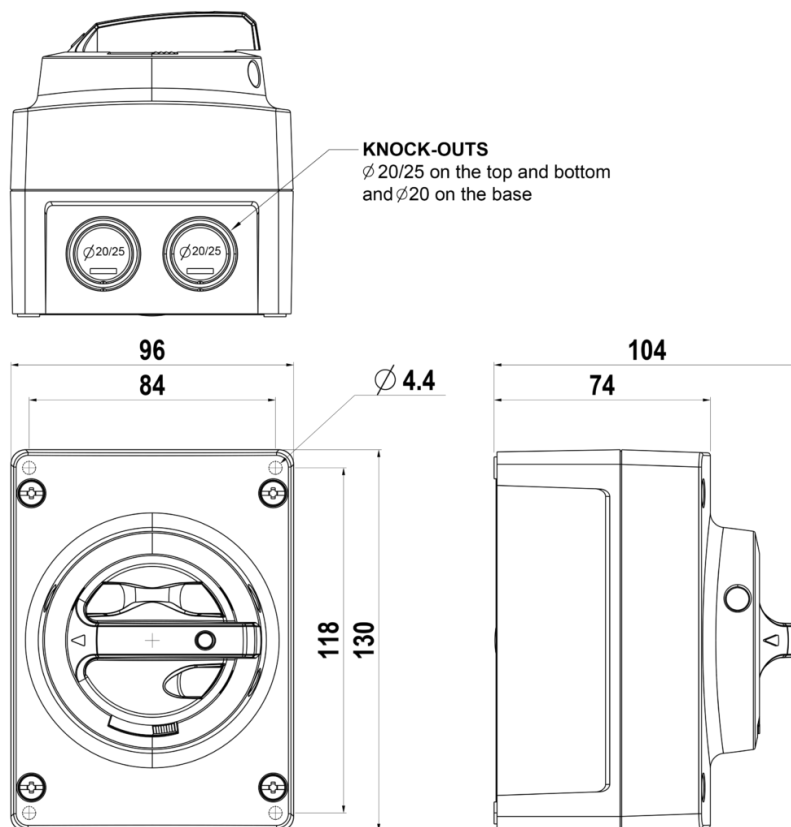
### MEASUREMENTS

HEIGHT	130 mm
WIDTH	96 mm
DEPTH	104 mm
VOLUME	1.2979 l
NET WEIGHT	0.4552 kg

### LOGISTICAL DATA

PACKAGE SIZE 1 DEPTH	104 mm
PACKAGE SIZE 1 HEIGHT	130 mm
PACKAGE SIZE 1 WIDTH	96 mm
PACKAGE SIZE 1 WEIGHT	0.4552 kg
PACKAGE SIZE 1 VOLUME	1.2979 l

### DIMENSIONAL DRAWING



## TECHNICAL DATA

NUMBER OF POLES	4
ENCLOSURE	M2 (96 x 130 x 74 mm)
ENCLOSURE TYPE	Polycarbonate
UL	UL 60947-4-1A
EMC	No
ATEX	No
IP RATING	IP66
AMPERE RATING (600V)	16
HP 208V	3
HP 480V	7.5
HP 600V	10
SWITCH TYPE DESCRIPTION	Manual motor controller
WIRE SIZE (CU ONLY)	14-8 AWG