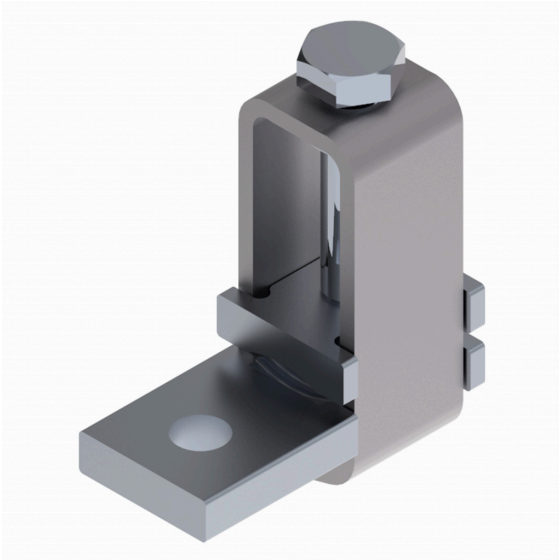




# ConnectSafe

## KLH2X300

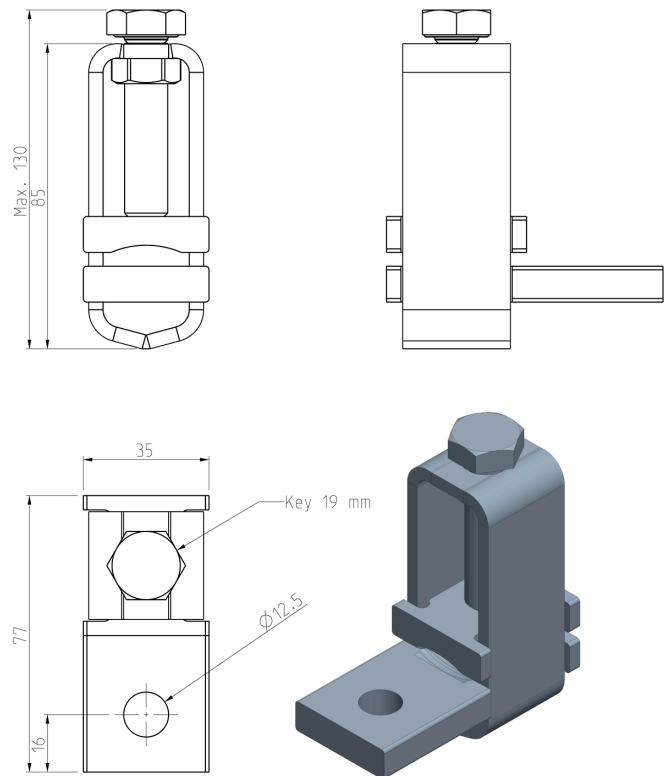


PRODUCT NUMBER	35860
GTIN	6419410358603
E-NUMBER FI	1942119
ETIM CLASS	EC000897

### MEASUREMENTS

HEIGHT	77 mm
WIDTH	35 mm
DEPTH	85 mm
VOLUME	0.2291 l
NET WEIGHT	0.6587 kg

### DIMENSIONAL DRAWING



### LOGISTICAL DATA

PACKAGE SIZE 1	3
PACKAGE SIZE 1	0.6587 kg
WEIGHT	

## TECHNICAL DATA

UL	UL 486A-486B
ATEX	No
TORQUE AL/CU (NM)	75
KEY SIZE	Hex 19
AL MM <sup>2</sup>	2 x 185-300
CU MM <sup>2</sup>	2 x 185-300
LINE/LOAD WIRE SIZE-STR CU/AL (KCMIL/AWG)	2 x 600 - 300
TORQUE AL/CU LB-IN	660