



 IsoSafe

KEA 4250 YR A6

4x250A 400V 132kW

| | |
|----------------|-------------------|
| PRODUCT NUMBER | 35809 |
| GTIN | 6419410358092 |
| TECHNICAL NAME | 4x250A 400V 132kW |
| ETIM CLASS | EC000216 |

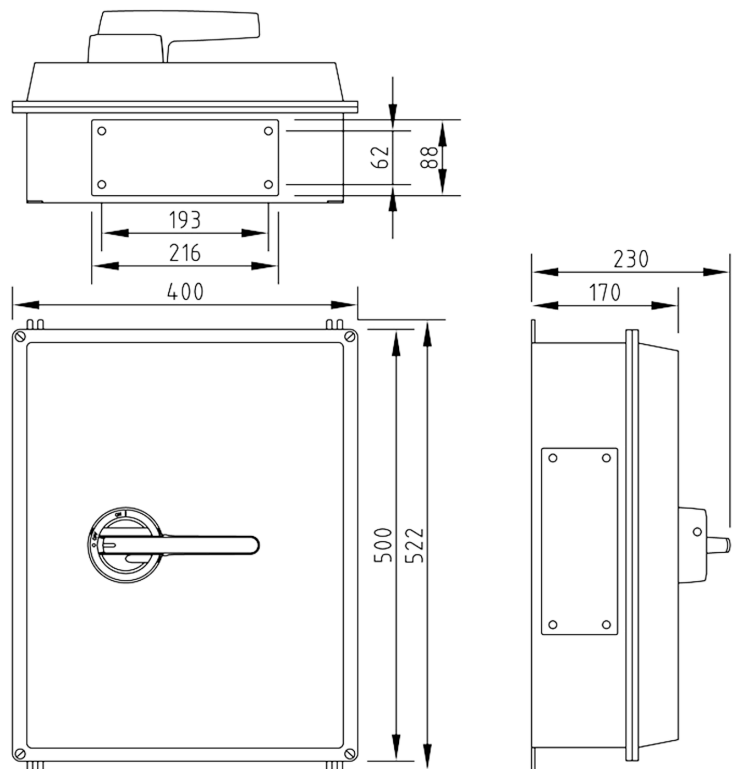
MEASUREMENTS

| | |
|------------|------------|
| HEIGHT | 500 mm |
| WIDTH | 400 mm |
| DEPTH | 170 mm |
| VOLUME | 34 l |
| NET WEIGHT | 11.3649 kg |

LOGISTICAL DATA

| | |
|-----------------------|------------|
| SALES UNIT | 1 |
| PACKAGE SIZE 1 | 1 |
| PACKAGE SIZE 1 WEIGHT | 11.3649 kg |

DIMENSIONAL DRAWING



TECHNICAL DATA

| | |
|--|-------------------------|
| NUMBER OF POLES | 4 |
| ENCLOSURE | A6 (400 x 500 x 170 mm) |
| ENCLOSURE TYPE | Aluminium |
| EMC | No |
| ATEX | No |
| IP RATING | IP65 |
| RATED OPERATIONAL CURRENT AC-23A 415 V, IE (A) | 250 |
| RATED OPERATIONAL CURRENT AC-23A 690 V, IE (A) | 250 |
| RATED OPERATIONAL POWER, 3- PHASE 1500 RPM SQUIRREL-CAGE MOTOR AC-23A 690 V (KW) | 250 |
| RATED INSULATION VOLTAGE, UI (V) | 1000 |
| SWITCH TYPE DESCRIPTION | Isolating switch |
| NOMINAL VALUES WITH CABLE SIZE (MM ²) | 120 |
| RATED THERMAL CURRENT, ITH (A) | 315 |
| RATED THERMAL CURRENT (ENCLOSED), ITHE (A) | 315 |
| RATED OPERATIONAL CURRENT AC-21A 415 V, IE (A) | 250 |
| RATED OPERATIONAL CURRENT AC-21A 500 V, IE (A) | 250 |
| RATED OPERATIONAL CURRENT AC-21A 690 V, IE (A) | 250 |
| RATED OPERATIONAL CURRENT AC-22A 415 V, IE (A) | 250 |
| RATED OPERATIONAL CURRENT AC-22A 500 V, IE (A) | 250 |
| RATED OPERATIONAL CURRENT AC-22A 690 V, IE (A) | 250 |
| RATED OPERATIONAL CURRENT AC-22A 800 V, IE (A) | 250 |

| | |
|--|-------|
| RATED OPERATIONAL CURRENT AC-23A 500 V, IE (A) | 250 |
| RATED OPERATIONAL POWER, 3- PHASE 1500 RPM SQUIRREL-CAGE MOTOR AC-23A 415 V (KW) | 132 |
| RATED OPERATIONAL POWER, 3- PHASE 1500 RPM SQUIRREL-CAGE MOTOR AC-23A 500 V (KW) | 160 |
| RATED FUSED SHORT-CIRCUIT CURRENT, BACK-UP FUSE OPTION 1 (A) | 250 |
| RATED FUSED SHORT-CIRCUIT CURRENT, R.M.S. IQ OPTION 1 (KA) | 100 |
| RATED FUSED SHORT-CIRCUIT CURRENT, BACK-UP FUSE OPTION 2 (A) | 315 |
| RATED FUSED SHORT-CIRCUIT CURRENT, R.M.S. IQ OPTION 2 (KA) | 50 |
| RATED FUSED SHORT-CIRCUIT CURRENT, PEAK VALUE (KA) | 26 |
| RATED IMPULSE WITHSTAND VOLTAGE, UIMP (KV) | 12 |
| RATED SHORT-CIRCUIT MAKING CAPACITY, ICM 415 V (KA) | 11.4 |
| RATED SHORT-CIRCUIT MAKING CAPACITY, ICM 690 V (KA) | 14 |
| RATED SHORT-TIME WITHSTAND CURRENT 1 S, ICW 415 V (KA) | 6.5 |
| RATED SHORT-TIME WITHSTAND CURRENT 1 S, ICW 1000 V (KA) | 8 |
| RATED BREAKING CAPACITY, AC- 23A 415 V (A) | 2000 |
| RATED BREAKING CAPACITY, AC- 23A 500 V (A) | 2000 |
| RATED BREAKING CAPACITY, AC- 23A 690 V (A) | 2000 |
| ELECTRICAL ENDURANCE (NUMBER OF OPERATIONS) | 2000 |
| MECHANICAL ENDURANCE (NUMBER OF OPERATIONS) | 16000 |

| | |
|---|-------------------|
| TERMINAL / BOLT SIZE CU (MM ²) | M8 |
| MAXIMUM TERMINAL TORQUE (NM) | 15..22 |
| SWITCH TYPE | Load Break Switch |