

## KLTS240



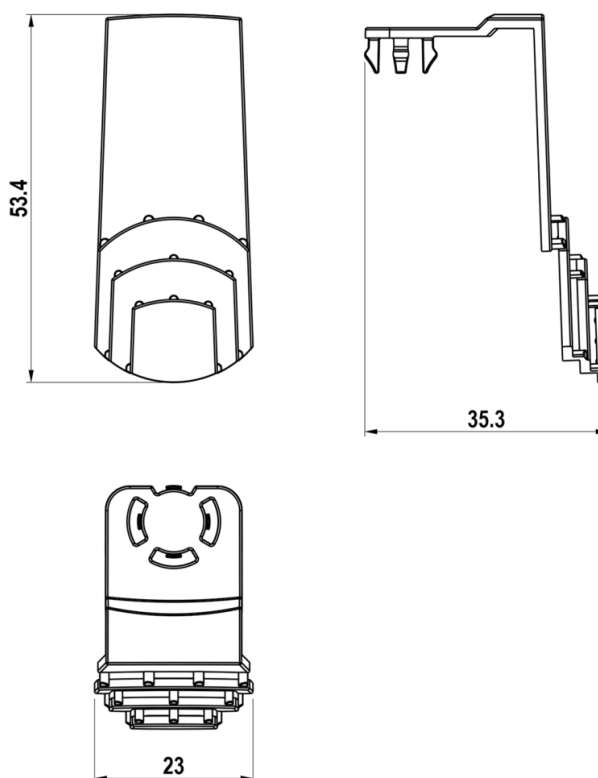
PRODUCT NUMBER	29388
GTIN	6419410293881
E-NUMBER FI	1942172
ETIM CLASS	EC002848

### MEASUREMENTS

### LOGISTICAL DATA

PACKAGE SIZE 1 50

### DIMENSIONAL DRAWING



## TECHNICAL DATA

ATEX	No
ACCESSORY FOR	KL 240mm <sup>2</sup> terminal blocks