


 IsoSafe

KET 460UL98 T4

4x40A 400V 22kW

| | |
|----------------|-----------------|
| PRODUCT NUMBER | 31565 |
| GTIN | 6419410315651 |
| TECHNICAL NAME | 4x40A 400V 22kW |
| ETIM CLASS | EC000216 |

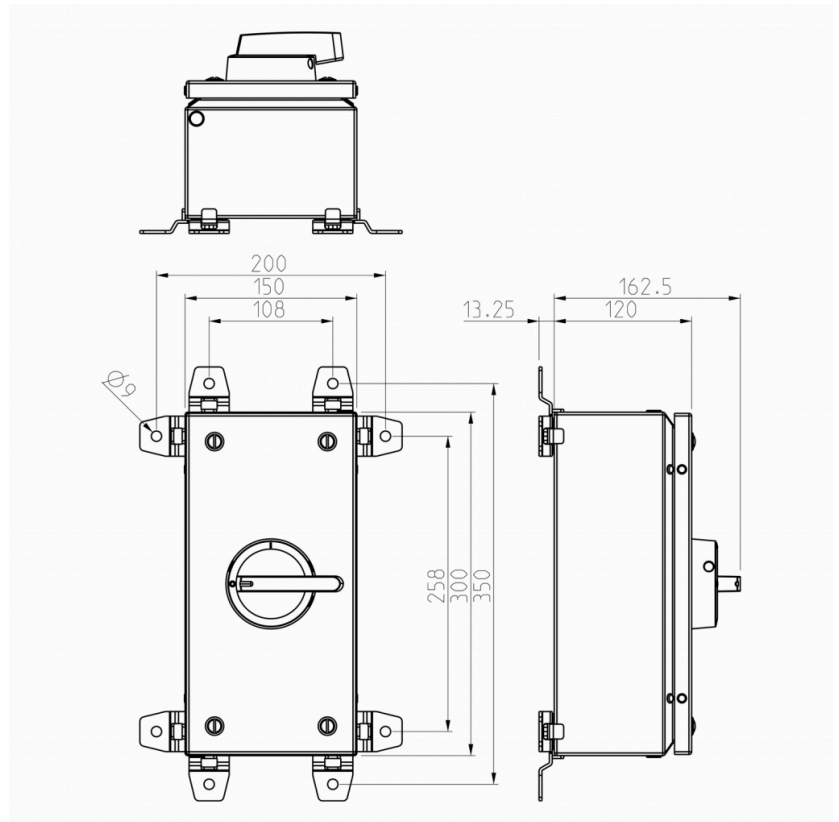
MEASUREMENTS

| | |
|------------|-----------|
| HEIGHT | 300 mm |
| WIDTH | 150 mm |
| DEPTH | 120 mm |
| VOLUME | 5.4 l |
| NET WEIGHT | 0.9955 kg |

LOGISTICAL DATA

| | |
|-----------------------|-----------|
| PACKAGE SIZE 1 DEPTH | 120 mm |
| PACKAGE SIZE 1 HEIGHT | 300 mm |
| PACKAGE SIZE 1 WIDTH | 150 mm |
| PACKAGE SIZE 1 WEIGHT | 0.9955 kg |
| PACKAGE SIZE 1 VOLUME | 5.4 l |

DIMENSIONAL DRAWING



TECHNICAL DATA

| | |
|-------------------------|-------------------------|
| NUMBER OF POLES | 4 |
| ENCLOSURE | T4 (150 x 300 x 120 mm) |
| ENCLOSURE TYPE | Painted sheet steel |
| UL | UL98 |
| EMC | No |
| ATEX | No |
| IP RATING | IP66 |
| AMPERE RATING (600V) | 60 |
| HP 208V | 2 |
| HP 240V | 25 |
| HP 480V | 50 |
| HP 600V | 75 |
| SWITCH TYPE DESCRIPTION | Manual motor controller |
| WIRE SIZE (CU ONLY) | 8-1/0 AWG |