



# ConnectSafe

## KL3X50PE



PRODUCT NUMBER	20560
GTIN	6419410205600
E-NUMBER FI	1942134
ETIM CLASS	EC000897

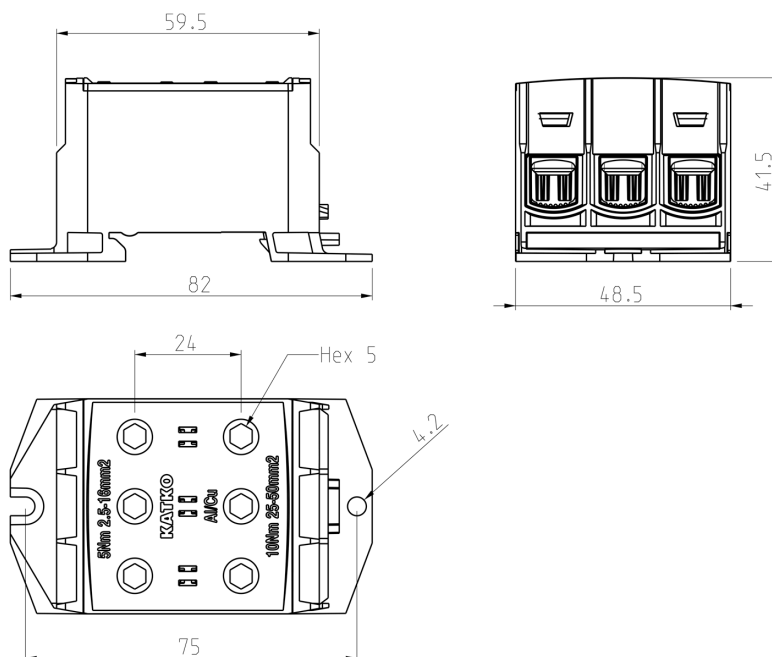
### MEASUREMENTS

HEIGHT	59.5 mm
WIDTH	48.5 mm
DEPTH	41.5 mm
VOLUME	0.1198 l
NET WEIGHT	0.1947 kg

### LOGISTICAL DATA

PACKAGE SIZE 1	10
PACKAGE SIZE 1 WEIGHT	0.1947 kg

### DIMENSIONAL DRAWING



## TECHNICAL DATA

ATEX	No
TORQUE AL/CU (NM)	5 (2,5 - 16 mm <sup>2</sup> ) / 10 (25 - 50 mm <sup>2</sup> )
KEY SIZE	Hex 5
IN (AL) (A)	200
IN (CU) (A)	320
AL MM <sup>2</sup>	2,5-50
CU MM <sup>2</sup>	2,5-50
NOMINAL VOLTAGE	1000V AC / 1500V DC