



| | |
|----------------|-------------------|
| PRODUCT NUMBER | 30015 |
| GTIN | 6419410300152 |
| E-NUMBER FI | 3602923 |
| TECHNICAL NAME | 3x315A 690V AC-22 |
| ETIM CLASS | EC000216 |

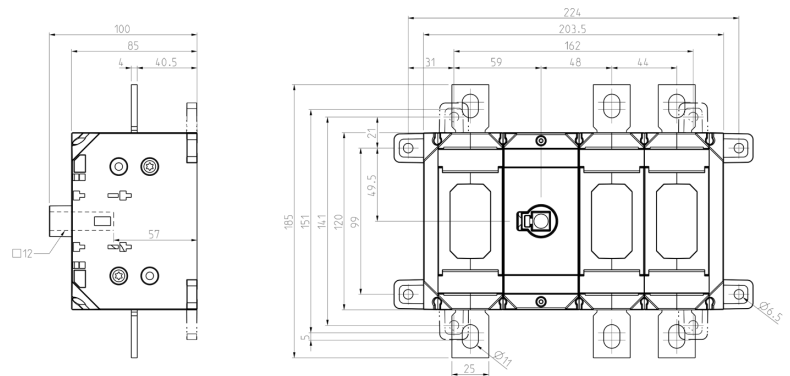
MEASUREMENTS

| | |
|------------|----------|
| HEIGHT | 100 mm |
| WIDTH | 204 mm |
| DEPTH | 185 mm |
| VOLUME | 3.774 l |
| NET WEIGHT | 2.929 kg |

DIMENSIONAL DRAWING

LOGISTICAL DATA

| | |
|----------------|----------|
| SALES UNIT | 1 |
| PACKAGE SIZE 1 | 1 |
| PACKAGE SIZE 1 | 185 mm |
| DEPTH | |
| PACKAGE SIZE 1 | 100 mm |
| HEIGHT | |
| PACKAGE SIZE 1 | 185 mm |
| WIDTH | |
| PACKAGE SIZE 1 | 2.929 kg |
| WEIGHT | |
| PACKAGE SIZE 1 | 3.4225 l |
| VOLUME | |



TECHNICAL DATA

| | |
|--|------|
| NUMBER OF POLES | 3 |
| ATEX | No |
| RATED OPERATIONAL CURRENT AC-23A 415 V, IE (A) | 315 |
| RATED OPERATIONAL CURRENT AC-23A 690 V, IE (A) | 315 |
| RATED OPERATIONAL POWER, 3- PHASE 1500 RPM SQUIRREL-CAGE MOTOR AC-23A 690 V (KW) | 315 |
| RATED INSULATION VOLTAGE, UI (V) | 1000 |
| NOMINAL VALUES WITH CABLE SIZE (MM ²) | 185 |
| RATED THERMAL CURRENT, ITH (A) | 315 |
| RATED OPERATIONAL CURRENT AC-21A 415 V, IE (A) | 315 |
| RATED OPERATIONAL CURRENT AC-21A 500 V, IE (A) | 315 |
| RATED OPERATIONAL CURRENT AC-21A 690 V, IE (A) | 315 |
| RATED OPERATIONAL CURRENT AC-22A 415 V, IE (A) | 315 |
| RATED OPERATIONAL CURRENT AC-22A 500 V, IE (A) | 315 |
| RATED OPERATIONAL CURRENT AC-22A 690 V, IE (A) | 315 |
| RATED OPERATIONAL CURRENT AC-23A 500 V, IE (A) | 315 |
| RATED OPERATIONAL POWER, 3- PHASE 1500 RPM SQUIRREL-CAGE MOTOR AC-23A 415 V (KW) | 160 |

| | |
|---|-------------------|
| RATED OPERATIONAL POWER, 3-PHASE 1500 RPM SQUIRREL-CAGE MOTOR AC-23A 500 V (KW) | 200 |
| RATED FUSED SHORT-CIRCUIT CURRENT, BACK-UP FUSE OPTION 1 (A) | 400 |
| RATED FUSED SHORT-CIRCUIT CURRENT, R.M.S. IQ OPTION 1 (KA) | 100 |
| RATED FUSED SHORT-CIRCUIT CURRENT, PEAK VALUE (KA) | 42 |
| RATED IMPULSE WITHSTAND VOLTAGE, UIMP (KV) | 12 |
| RATED SHORT-CIRCUIT MAKING CAPACITY, ICM 690 V (KA) | 27.5 |
| RATED SHORT-TIME WITHSTAND CURRENT 1 S, ICW 1000 V (KA) | 13.5 |
| RATED BREAKING CAPACITY, AC-23A 415 V (A) | 2520 |
| RATED BREAKING CAPACITY, AC-23A 500 V (A) | 2520 |
| RATED BREAKING CAPACITY, AC-23A 690 V (A) | 2520 |
| ELECTRICAL ENDURANCE (NUMBER OF OPERATIONS) | 2000 |
| MECHANICAL ENDURANCE (NUMBER OF OPERATIONS) | 10000 |
| TERMINAL / BOLT SIZE CU (MM ²) | M10 |
| MAXIMUM TERMINAL TORQUE (NM) | 30..44 |
| SWITCH TYPE | Load Break Switch |