
 IsoSafe

KEM 6160 MF11

6x160A 400V 90kW

| | |
|----------------|------------------|
| PRODUCT NUMBER | 32360 |
| GTIN | 6419410323601 |
| E-NUMBER FI | 3610329 |
| TECHNICAL NAME | 6x160A 400V 90kW |
| ETIM CLASS | EC000216 |

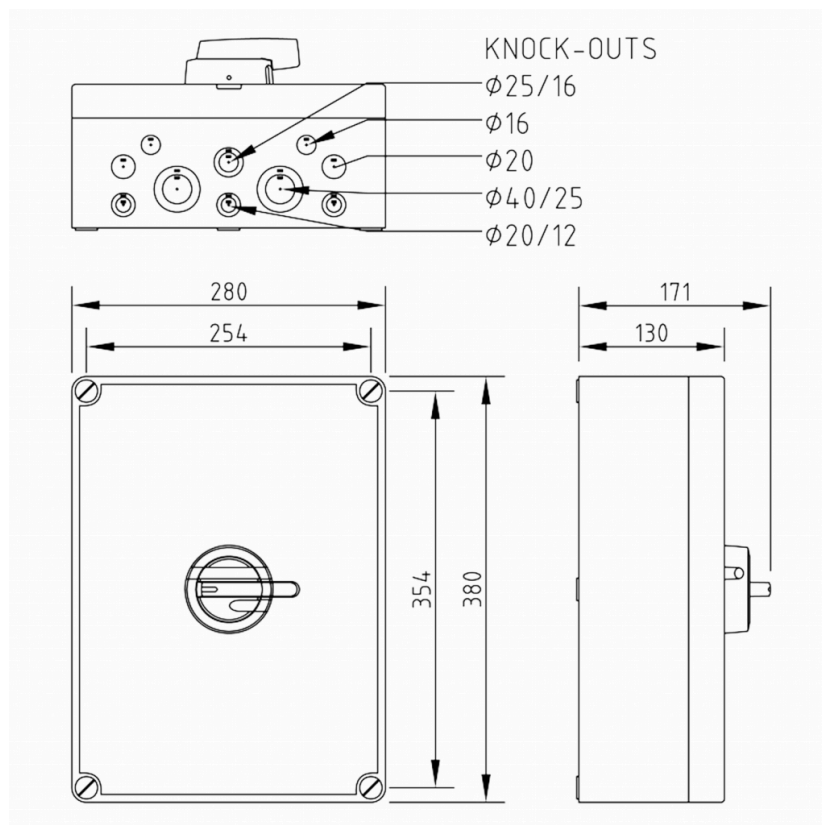
MEASUREMENTS

| | |
|------------|-----------|
| HEIGHT | 380 mm |
| WIDTH | 280 mm |
| DEPTH | 130 mm |
| VOLUME | 13.832 l |
| NET WEIGHT | 4.0526 kg |

LOGISTICAL DATA

| | |
|-----------------------|-----------|
| SALES UNIT | 1 |
| PACKAGE SIZE 1 | 1 |
| PACKAGE SIZE 1 DEPTH | 130 mm |
| PACKAGE SIZE 1 HEIGHT | 380 mm |
| PACKAGE SIZE 1 WIDTH | 280 mm |
| PACKAGE SIZE 1 WEIGHT | 4.0526 kg |
| PACKAGE SIZE 1 VOLUME | 13.832 l |

DIMENSIONAL DRAWING



TECHNICAL DATA

| | |
|--|---------------------------|
| NUMBER OF POLES | 6 |
| ENCLOSURE | MF11 (280 x 380 x 130 mm) |
| ENCLOSURE TYPE | Polycarbonate |
| EMC | No |
| ATEX | No |
| IP RATING | IP66 |
| RATED OPERATIONAL CURRENT AC-23A 415 V, IE (A) | 160 |
| RATED OPERATIONAL CURRENT AC-23A 690 V, IE (A) | 100 |
| RATED OPERATIONAL POWER, 3- PHASE 1500 RPM SQUIRREL-CAGE MOTOR AC-23A 690 V (KW) | 90 |
| RATED INSULATION VOLTAGE, UI (V) | 800 |
| SWITCH TYPE DESCRIPTION | Isolating switch |
| NOMINAL VALUES WITH CABLE SIZE (MM ²) | 95 |
| RATED THERMAL CURRENT, ITH (A) | 200 |
| RATED THERMAL CURRENT (ENCLOSED), ITHE (A) | 200 |
| RATED OPERATIONAL CURRENT AC-21A 415 V, IE (A) | 160 |
| RATED OPERATIONAL CURRENT AC-21A 500 V, IE (A) | 160 |
| RATED OPERATIONAL CURRENT AC-21A 690 V, IE (A) | 160 |
| RATED OPERATIONAL CURRENT AC-22A 415 V, IE (A) | 160 |
| RATED OPERATIONAL CURRENT AC-22A 500 V, IE (A) | 160 |
| RATED OPERATIONAL CURRENT AC-22A 690 V, IE (A) | 160 |

| | |
|--|-------------------|
| RATED OPERATIONAL CURRENT AC-23A 500 V, IE (A) | 100 |
| RATED OPERATIONAL POWER, 3- PHASE 1500 RPM SQUIRREL-CAGE MOTOR AC-23A 415 V (KW) | 90 |
| RATED OPERATIONAL POWER, 3- PHASE 1500 RPM SQUIRREL-CAGE MOTOR AC-23A 500 V (KW) | 55 |
| RATED FUSED SHORT-CIRCUIT CURRENT, BACK-UP FUSE OPTION 1 (A) | 160 |
| RATED FUSED SHORT-CIRCUIT CURRENT, R.M.S. IQ OPTION 1 (KA) | 65 |
| RATED FUSED SHORT-CIRCUIT CURRENT, PEAK VALUE (KA) | 15 |
| RATED IMPULSE WITHSTAND VOLTAGE, UIMP (KV) | 8 |
| RATED SHORT-CIRCUIT MAKING CAPACITY, ICM 690 V (KA) | 8 |
| RATED SHORT-TIME WITHSTAND CURRENT 1 S, ICW 690 V (KA) | 5 |
| RATED BREAKING CAPACITY, AC- 23A 415 V (A) | 1280 |
| RATED BREAKING CAPACITY, AC- 23A 500 V (A) | 800 |
| RATED BREAKING CAPACITY, AC- 23A 690 V (A) | 800 |
| ELECTRICAL ENDURANCE (NUMBER OF OPERATIONS) | 2000 |
| MECHANICAL ENDURANCE (NUMBER OF OPERATIONS) | 16000 |
| TERMINAL / BOLT SIZE CU (MM ²) | 6..70 |
| MAXIMUM TERMINAL TORQUE (NM) | 6 |
| SWITCH TYPE | Load Break Switch |