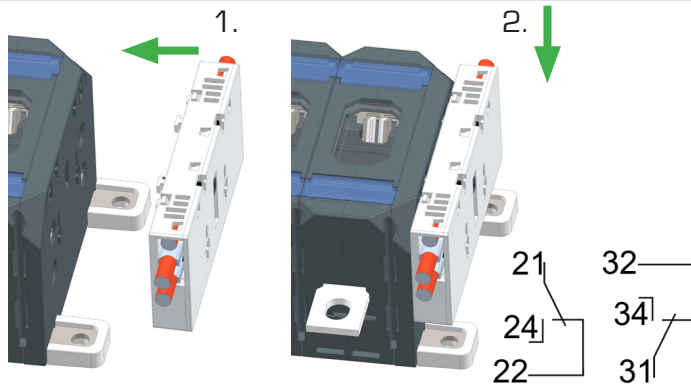
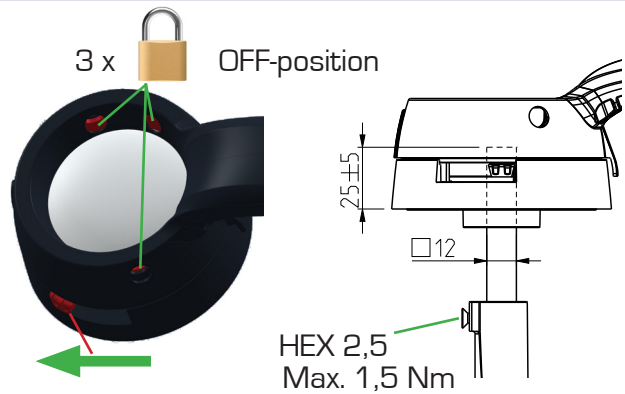


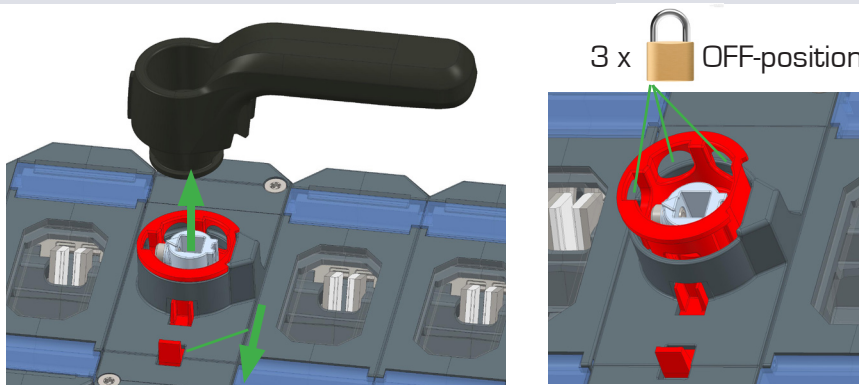
Auxiliary contact:



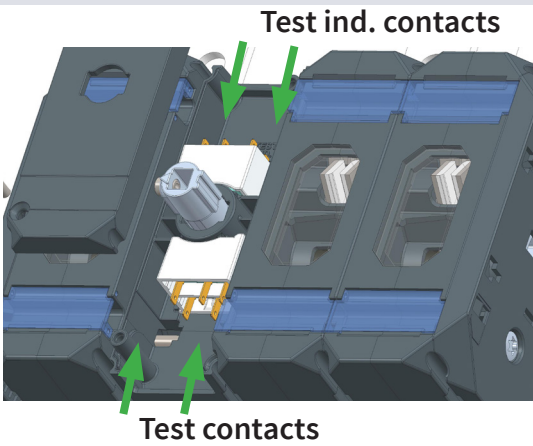
Handle:



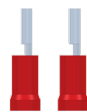
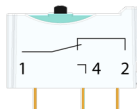
Direct handle:



Test:



4 x T8
 4 x microswitch



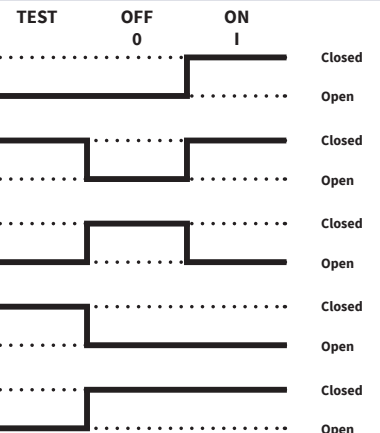
Main contact

Test contact (NO)

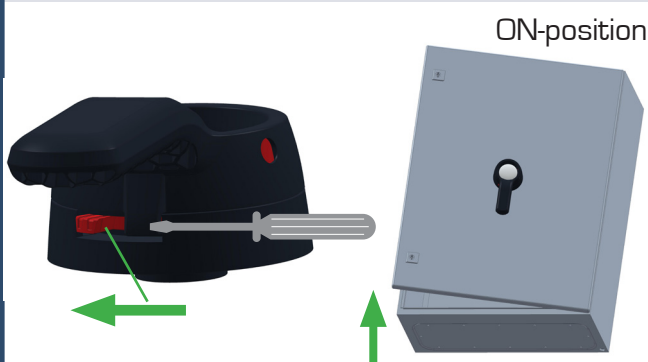
Test contact (NC)

Test ind. contact (NO)

Test ind. contact (NC)



Defeat, ON-position:



Bolt size M8
15-22 Nm

