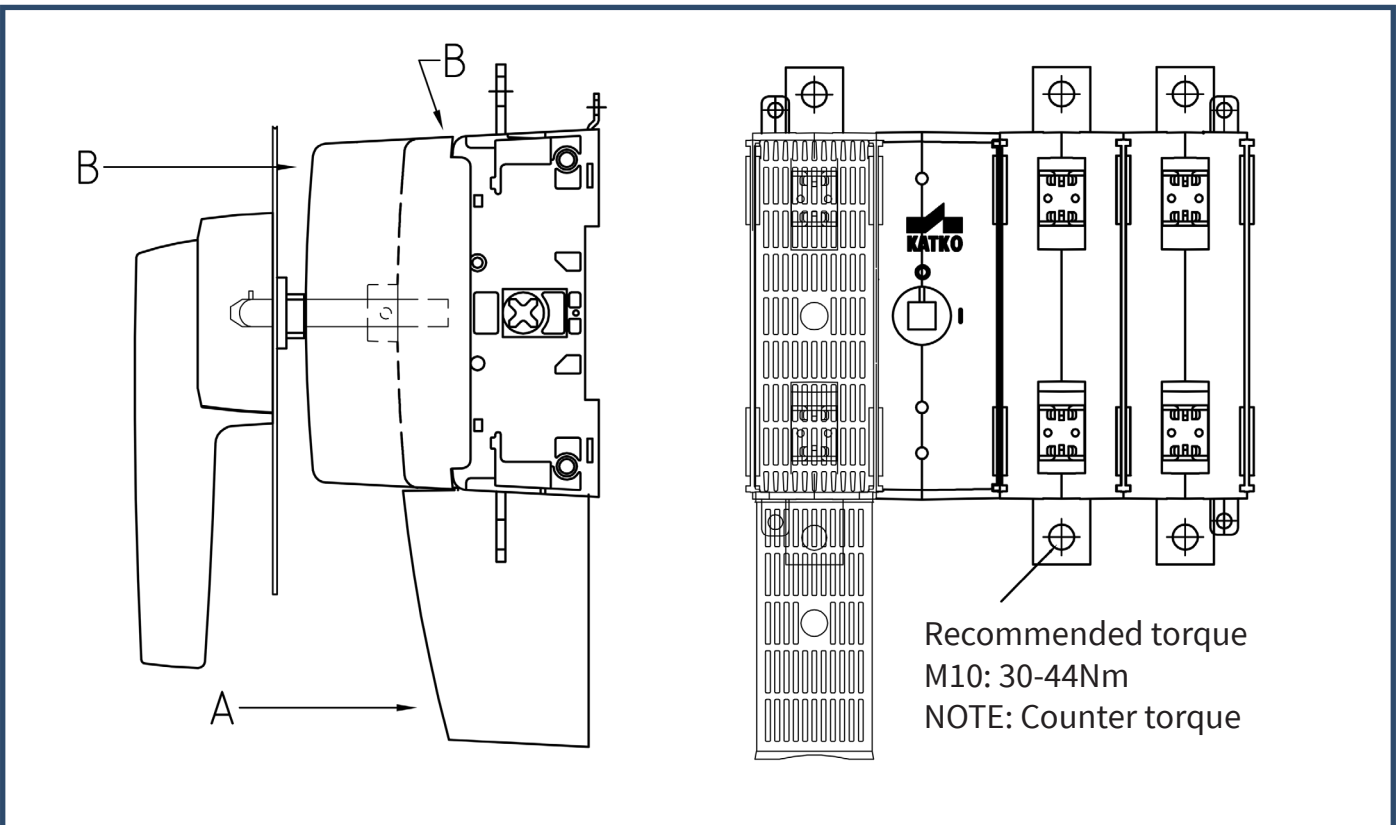
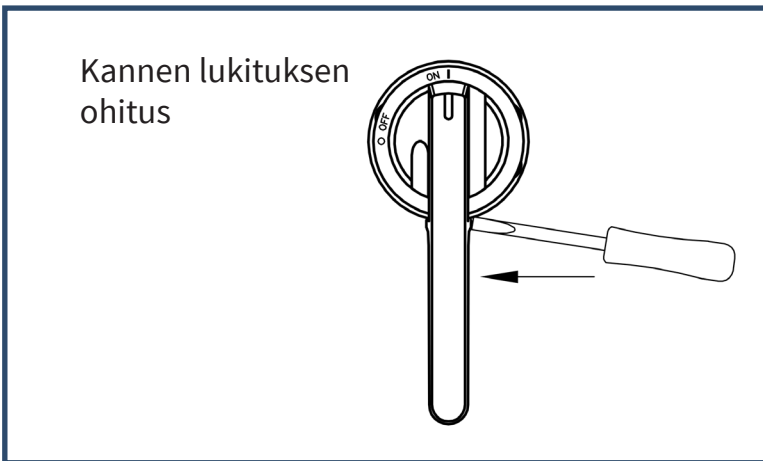
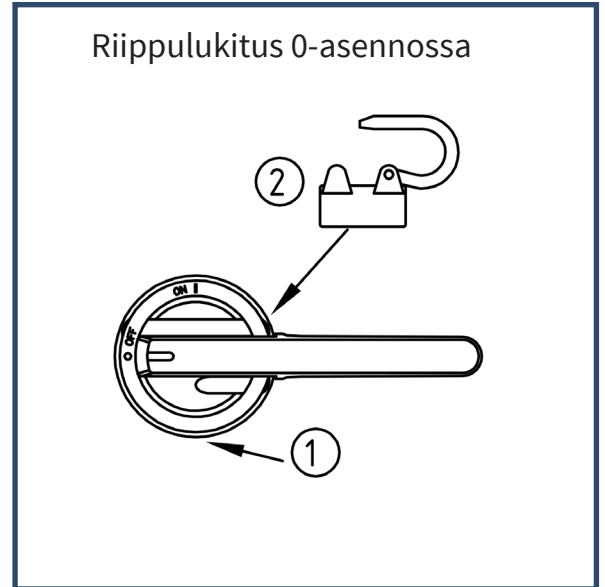
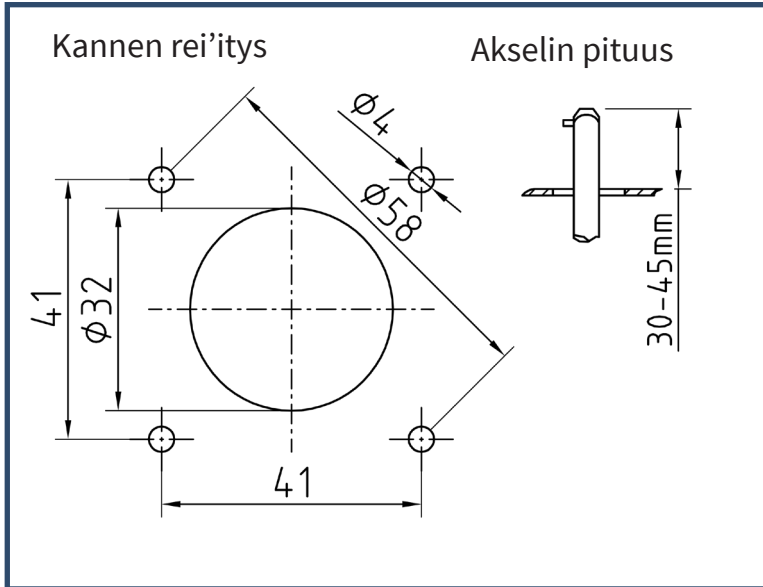


Terminal shrouds are installed by sliding downwards until they snap into place (A).

Fuse covers are installed by pushing gently from the lower edges and snapping them into place (B).





Liitinsuojat asennetaan painamalla alaspäin kunnes napsahtavat kiinni (A).

Sulakesuojat asennetaan painamalla suojan alareunoista ja napsauttamalla paikalleen (B).

