



SAFETY SWITCHES & ISOLATORS





CONTENTS

ENCLOSED SWITCHES

General Information	8
Technical Data for Safety Switches / Isolators 16-800 A	12
KEM Polycarbonate 10-630 A	14
KEM ABS 10-80 A	16
EMC 16-630 A	17
KET Sheet Steel 16-1600 A	18
KEA Aluminium 16-250 A	20
KER Stainless Steel 16-1600 A	22
KER Stainless Steel (R/RS) 16-160A	24
KER Stainless Steel IP69K 16-125A	26
KSM Side-operated 16-25A	28
Firerated Aluminium Enclosed 16-200 A	29
Side Operated Switches 16-40 A	30
ATEX Switches 16-160 A	32
Change-over Switches 16-160 A	34
Bypass Switch for Frequency Inverter 16-63 A	36
Motor Control Switches 16-40 A	37

UL-LISTED PRODUCTS

UL98-Listed Enclosed Switches 60-100A	38
Polycarbonate Enclosed 16-150 A	39
Sheet Steel Enclosed 16-150 A	40
Aluminium Enclosed 16-125 A	41
Stainless Steel Enclosed 16-125 A	42
Stainless Steel Enclosed with angled top 16-125 A	43
EMC Protected Enclosed 16-150 A	44

CONDITIONS OF SALE	45
--------------------	----

DIMENSIONAL DRAWINGS OF ENCLOSURES	46
------------------------------------	----

SWITCHES WITHOUT COMPROMISES.



Katko is a Finnish family business specialising in safety switches, load break switches and fused switches with more than 70 years of experience. Not all safety and load break switches on the market come from specialised manufacturers by any means, and that is precisely why we are so proud of ours. We design and manufacture every product ourselves in our own factories. The challenging Finnish climate creates a basis for developing switches that work in all conditions across the globe. Switches without compromises. This is what we at Katko think, as did the generations before us.

ROBOTICS AND HANDWORK. THE BEST OF BOTH WORLDS.

We manufacture all of our safety switches, load break switches, fused switches and terminal blocks in our own production plants in Finland and Poland. A high level of automation is part of Katko's DNA that ensures a consistent quality level in our products. Katko's flexible and adaptive production philosophy even facilitates the manufacture of smaller batches in a competitive manner. Furthermore, we can provide our customers with more tailored products, and we are ready to do so. This is where Katko's motivated and professional staff come in. We employ approximately 120 people, two thirds of whom are in Finland.

Taking care of people and the environment are among the most important values of our family business. Our environmental thinking is guided by factors such as efficient raw material use, energy-efficient production and the quality and life-cycle of the end product. All of the materials used in our production processes are 100% recyclable. sales office was opened in Dubai in 2007. Today, Katko products are sold in more than 60 countries on all continents.





FOOD INDUSTRY

**Food processing. Dairy.
Meat packing & processing. Beverage-making.**

KATKO KER switches can withstand pressurised water, steam and chemical detergents in locations that require a high level of hygiene. Katko's selection provides you with a range of acid-proof products for most food and pharmaceutical industry applications.



CLEAN AIR

**Air conditioning.
Warm air.**

Whether we are talking about cooling or heating, Katko provides an extensive selection of products suitable for demanding air conditioning from ORs to work safety for all industries. The UV protected plastics and aluminium enclosed switches can withstand demanding climate conditions and provide a reliable solution for applications ranging from air-based heat pumps to industrial cooling equipment.



HEAVY INDUSTRY

Metal Industry. Pulp. Paper.


Mechanical durability and the conditions of the most demanding places of use guide your safety switch choice, but we are not just talking about one product. Katko's strength lies in an extensive selection that covers the needs of an entire plant from 10 to 1600 A. With Katko, you get products that are quick to install and modified to suit your requirements. Save time in both construction projects and maintenance shutdowns.



HAZARDOUS AND DEMANDING AREAS

Mining. Oil. Gas. Fire. Marine.

Katko will switch electricity on and off in demanding and hazardous conditions as well. Our selection includes products such as ATEX certified switches for dusty environments, Rina and Lloyd's classified products for the maritime industry, and high temperature resistant solutions complying with the EN 12101-3 standard.



POWER DISTRIBUTION

Standard panel. Switchgear.

Distribution boards.

Switchboard and switchgear manufacturers appreciate Katko's technician-friendly products and accessories, as well as the products' reliability and usability. Whether for a residential apartment, a property or an industrial plant, we provide an extensive selection of safety and fused switches, cable connectors and terminal blocks for 400–690 V low voltage grids.

KATKO'S EASY TO USE RANGE OF ENCLOSED SWITCHES

Polycarbonate (IP66) or ABS (IP65) enclosure. Good resistance against UV and many chemicals. Available in grey/black or yellow/red.

stainless steel screw fixing

5 cable entries: M20 & M25 mm as standard on the top and bottom and M20 on the base. Knock-out glands are easy to open.

Retrofit 'snap on' auxilliary contacts. No need to touch existing cabling.

Neutral & earth terminals Fitted on 3 pole switch. 1, 2 and 4P switches only earth.

Large cable terminals 1,5 - 16 mm² up to 40A 2,5 - 35 mm² up to 80A

Door interlock with defeat mechanism

Self-extinguishing material and excellent insulating properties

Padlocking in OFF-position prevents access to the actuator.

Reliable position indication



Retained handle, you don't need to unscrew to remove the cover

Provision for 3 padlocks

Fully rated Load Break Switch. Breaking capacity of 8xAC23 rating. Back up fuse rating to match motor manufacturers recommendation

Enclosure mounting screws (4,5 mm in diameter) isolated from the inside housing keeping the integrity of the IP65/IP66 rating.

'Plug in' switch. Enables unplugging the switch for easy cabling

IP / NEMA CLASSIFICATIONS OF PROTECTION

IP CLASSIFICATIONS

Ingress protection class of enclosures is according to IEC 60 529 given in form of IP classification, a two digit coding which is shown below.

NEMA/UL CLASSIFICATIONS

The National Electrical Manufacturers Association (NEMA) is a US Manufacturers organization. NEMA performance criteria and test methods are used by Underwriters' Laboratories as guidelines for investigation and listing of electrical enclosures.

FIRST NUMBER		SECOND NUMBER		NEMA
Protection against solid objects		Protection against liquids		
0	No protection.	0	No protection.	1 Indoor use primarily to provide a degree of protection against contact with the enclosed equipment and against a limited amount of falling dirt.
1	Protected against solid objects up to 50mm eg accidental touch by hands.	1	Protected against vertically falling drops of water.	2 Indoor use to provide a degree of protection against limited amounts of falling water and dirt.
2	Protected against solid objects up to 12mm eg fingers.	2	Protected against direct sprays of water up to 15° from the vertical.	3 Outdoor use to provide a degree of protection against windblown dust, rain and sleet; undamaged by the formation of ice on the enclosure.
3	Protected against solid objects up to 2,5mm eg (tools + small wires).	3	Protected against sprays up to 60° from the vertical.	3R Outdoor use to provide a degree of protection against rain and sleet; undamaged by the formation of ice on the enclosure.
4	Protected against solid objects up to 1mm eg (tools + small wires).	4	Protected against water sprayed from all directions - limited ingress permitted.	3S Outdoor use to provide a degree of protection against windblown dust, rain and sleet; external mechanisms remain operable while ice laden.
5	Protected against dust - limited ingress permitted (no harmful deposit).	5	Protected against low pressure jets of water from all directions - limited ingress permitted.	4 Indoor or outdoor use to provide a degree of protection against splashing water, windblown dust and rain, hose directed water; undamaged by the formation of ice on the enclosure.
6	Totally protected against dust.	6	Protected against strong jets of water eg for use on shipdecks - limited ingress permitted.	4X Indoor or outdoor use to provide a degree of protection against splashing water, windblown dust and rain, hose directed water; undamaged by the formation of ice on the enclosure. Resists corrosion.
		6NW	Protected against strong jets of water eg for use on shipdecks - no ingress permitted.	6 Indoor or outdoor use to provide a degree of protection against the entry of water during temporary submersion at a limited depth; undamaged by the formation of ice on the enclosure.
		7	Protected against the affects of immersion between 15cm and 1m.	6P Indoor or outdoor use to provide a degree of protection against the entry of water during prolonged submersion at a limited depth.
		8	Protected against long periods of immersion under pressure.	11 Indoor use to provide by oil immersion a degree of protection of the enclosed equipment against the corrosive effects of corrosive liquids and gases.
		9K	Protected against close-range high pressure, high temperature spray downs.	12/12K Indoor use to provide a degree of protection against dust, falling dirt and dripping noncorrosive liquids.
				13 Indoor use to provide a degree of protection against dust, and spraying of water oil and noncorrosive coolants.

SWITCHES ACCORDING TO IEC 60 947-3.

SWITCH

A mechanical switching device capable of making, carrying and breaking currents under normal circuit conditions which may include specified operating overload conditions and also carrying for a specified time currents under specified abnormal circuit conditions such as those of short circuit. Note: A switch may be capable of making, but not breaking, short-circuit currents.

DISCONNECTOR

A mechanical switching device which, in the open position, complies with the requirements specified for the isolating function.
 Disconnecter: (working definition) device without on-load making and breaking capacity.

SWITCH DISCONNECTOR / LOAD BREAK SWITCH

A switch capable of making, carrying and breaking currents under normal circuit conditions and which, in the open position, complies with the isolating requirements specified for a disconnector.

UTILIZATION CATEGORY

Utilization category	Use / Application
AC-20A	Connecting and disconnecting under no-load.
AC-21A	Switching of resistive loads including moderate overloads
AC-22A	Switching of mixed loads, inductive and resistive loads including moderate overloads
AC-23A	Switching of motor loads or other highly inductive loads

PROTECTION AGAINST OVERVOLTAGE

U_{imp} (Impulse withstand voltage) defines the device's use in abnormal network conditions with overvoltage due to lightning on overhead wires etc. This characteristic also defines the device's dielectric quality. Overvoltage protection is ensured by choosing the equipment according to U_{imp} . The 4 impulse withstand categories of use at 400V/ 690V (IEC 60 364-4-44) are:

Category	U_{imp}	Applications
1	2,5 kV	pecially protected equipment
2	4 kV	Portable tools, motors, etc.
3	6 kV	Equipment placed in distribution networks
4	8 kV	Equipment placed at the head of an installation.

The U_{imp} rating for most of the Katko switches is 8kV.

INSTALLATION ENVIRONMENT TEMPERATURE

To assure the best of operation of KATKO switches the ambient air temperature of installation environment should be in the range of -40°C to + 60°C. When the ambient temperatures exceed +40°C, the maximum load of the switch may have to be derated. Please contact KATKO for assistance.

CONFORMITY TO STANDARDS

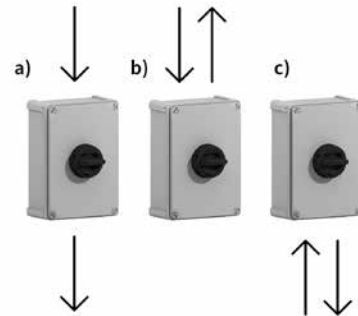
Katko switches are designed to comply with both national and international standards.
 -Switches tested acc. to IEC 60 947
 -AC 23 / 690V ratings
 -50-100 kA R.M.S values
 -CB certificates
 -UL, c UL listed (UL 60947-4-1A)
 -Fuse holder acc. to IEC 60 269 / UL 4248-1

SAFETY SWITCHES / ISOLATORS 10 - 800 A

- Tested according to IEC 60 947-3 and UL 60947-4-1A
- CB certificates
- VDE certificates
- Comply with ISO 9001 and ISO 14001
- AC-23, 690V ratings
- Multiple break with silver rivets
- Airgap 12,5 mm
- Door interlock
- Lockable handle
- Reliable position indication
- Standard grey/black and yellow/red series
grey/black= grey cover, black handle
yellow/red= yellow cover, red handle
- Standard models 3P, 4P, 6P and 8P
- 1P and 2P available

KATKO SWITCHES - FOR HEAVY DUTY

- Superior life span even in most demanding environments such as papermills, chemical plants, steelworks and food processing plants.



RECOMMENDED ENCLOSURE FOR DIFFERENT CABLE SIZES

Polycarbonate Enclosures	Cable size mm ²	Sheet Steel Enclosures	Cable size mm ²	Aluminium Enclosures	Cable size mm ²	Stainless Steel Enclosures
M1, M2	3x2,5+2,5	T3	3x2,5+2,5	A2	3x2,5+2,5	RA2
M1, M2	3x6+6	T3	3x6+6	A2	3x6+6	RA2
M3	3x10+10	T3	3x10+10	A4	3x10+10	RA4
M3	3x16+16	T3	3x16+16	A4	3x16+16	RA4
M4	3x35+16	T4	3x35+16	A4	3x35+16	RA5
M4	3x50+25	T5	3x50+25	A5	3x50+25	RA5
MF01	3x70+35	T5	3x70+35	A5	3x70+35	RA5
MF03, MF04	3x95+50	T6	3x95+50	A6	3x95+50	R6
MF03, MF04	3x120+70	T6	3x120+70	A6	3x120+70	R6
MF03, MF04	3x185+95	T6	3x185+95	A6	3x185+95	R6
MF03, MF04	3x240+120	T7/T10A	3x240+120	A6	3x240+120	R7-R10

ALWAYS CHOOSE THE RIGHT SWITCH FOR THE RIGHT PURPOSE!

SAFETY SWITCHES / ISOLATORS 10-800 A TECHNICAL DATA

SAFETY SWITCHES / ISOLATORS		10 A	16 A	25 A	40 A	63 A	80 A	100 A	125 A	160 A
Rated insulation voltage, U_i (V)		800	800	800	800	800	800	800	800	800
Rated thermal current, I_{th} (A)		20	25	40	63	80	100	125	160	200
Rated thermal current, I_{the} (A)		20	25	40	63	80	100	125	160	200
Nominal values with cable size (mm ²)		2.5	4	10	16	25	35	70	70	95
Rated operational current, I_e (A)										
AC-21A	400/415V	10	16	25	40	80	100	125	160	160
	500V	10	16	25	40	80	100	125	160	160
	690V	10	16	25	40	80	100	125	160	160
AC-22A	400/415V	10	16	25	40	63	80	100	125	160
	500V	10	16	25	40	63	80	100	125	160
	690V	10	16	25	40	63	80	100	125	160
AC-23A	400/415V	10	16	25	40	40	63	100	125	160
	500V	10	16	25	25	40	40	63	80	100
	690V	10	16	25	25	40	40	63	80	100
Rated operational power for 3-phase (1500 r.p.m.) squirrel cage induction motors (kW)										
AC-23A	400/415V	5.5	7.5	11	22	22	30	55	55	90
	500V	5.5	7.5	15	15	30	30	37	55	55
	690V	7.5	11	22	22	37	37	55	75	90
Rated fused short circuit current										
Back-up fuse (A)		25	25	25	40	80	80	160	160	160
R.M.S. value, I_k (kA)		50	50	50	25	50	50	65	65	65
Peak value (kA)		3.8	3.8	3.8	4.5	8.2	8.2	15	15	15
Impulse withstand voltage, U_{imp} (kV)		8	8	8	8	8	8	8	8	8
Rated short circuit making capacity, I_{cm} (kA)										
	690V	1	1	1	1	3.1	3.1	8	8	8
Rated short time withstand current (1 s), I_{cw} (kA)										
	690V (*1000V)	0,7	0,7	0,7	0,7	2.0	2.0	5	5	5
Rated breaking capacity, I_{cn} (A)										
AC-23A	400/415V	80	128	200	320	320	504	640	1000	1280
	500V	80	128	200	200	320	320	504	640	800
	690V	80	128	200	200	320	320	504	640	800
Electrical endurance (operations)		3000	3000	3000	3000	3000	3000	2000	2000	2000
Mechanical endurance (operations)		50000	50000	50000	50000	50000	50000	16000	16000	16000
Terminals / Bolt size Cu (mm ²)		1.5-16	1.5-16	1.5-16	1.5-16	2.5-35	2.5-35	6-70	6-70	6-70
Max terminal torque (Nm)		1.8	1.8	1.8	1.8	2.5	2.5	6	6	6
1) KEx x200 - KEx x250 2) KEx x200C - KEx x250C										

SAFETY SWITCHES / ISOLATORS 10-800 A TECHNICAL DATA

200 A ¹⁾	200 A ²⁾	250 A ³⁾	250 A ²⁾	315 A	400 A	630 A	800 A	SAFETY SWITCHES / ISOLATORS	
1000	1000	1000	1000	1000	1000	1000	1000	Rated insulation voltage, U _i (V)	
250	200	315	250	315	400	630	800	Rated thermal current, I _{th} (A)	
250	200	315	250	315	400	630	800	Rated thermal current, I _{the} (A)	
95	95	120	120	185	240	2x185	2x300	Nominal values with cable size (mm ²)	
								Rated operational current	
200	200	250	250	315	400	630	800	400/415V	AC-21A
200	200	250	250	315	400	630	800	500V	
200	200	250	250	315	400	630	800	690V	
200	200	250	250	315	400	630	800	400/415V	AC-22A
200	-	250	-	315	400	630	800	500V	
200	-	250	-	315	400	630	800	690V	
200	200	250	250	315	400	630	800	400/415V	AC-23A
200	-	250	-	315	400	630	800	500V	
200	-	250	-	315	400	630	800	690V	
								Rated operational power for 3-phase (1500 r.p.m.) squirrel cage induction motors (kW)	
110	110	132	132	160	200	355	400	400/415V	AC-23A
132	-	160	-	200	250	400	560	500V	
160	-	250	-	315	355	630	800	690V	
								Rated fused short circuit current	
250	250	250	250	400	400	630	800	Back-up fuse (A)	
100**	50	100**	50	100	100	100	100	R.M.S. value, I _r (kA)	
26	22	26	22	42	42	76	76	Peak value (kA)	
12	8	12	8	12	12	12	12	Impulse withstand voltage, U _{imp} (kV)	
								Rated short circuit making capacity, I _{cm} (kA)	
14	7	14	7	27,5	27,5	60	60	690V	Rated short time withstand current (1 s), I _{sw} (kA)
8*	6	8*	6	13,5*	13,5*	*28	*28	690V (*1000V)	
								Rated breaking capacity, I _{cn} (A)	
1600	1600	2000	2000	2520	3200	5040	6400	400/415V	AC-23A
1600	-	2000	-	2520	3200	5040	6400	500V	
1600	-	2000	-	2520	3200	5040	6400	690V	
2000	2000	2000	2000	2000	2000	2000	2000	Electrical endurance (operations)	
16000	16000	16000	16000	10000	10000	10000	10000	Mechanical endurance (operations)	
M8	M8	M8	M8	M10	M10	M12	M12	Terminals / Bolt size Cu (mm ²)	
15-22	15-22	15-22	15-22	30-44	30-44	50-75	50-75	Max terminal torque (Nm)	
								**50kA with 315A fuse	

POLYCARBONATE ENCLOSED SAFETY SWITCHES / ISOLATORS 10-630 A



- Self-extinguishing material
- Wide operating temperature range
- Padlockable
- Door interlock with defeat mechanism
- Excellent insulating properties
- Good UV resistance
- Good resistance against many chemicals
- 1- and 2-pole switches available

Dimensional drawings: Dimensional drawings section of this catalogue

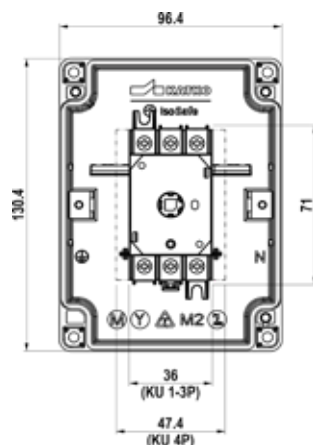
3D STEP files available:
www.katko.com/3d-models

Accessories available: www.katko.com/products/accessories/

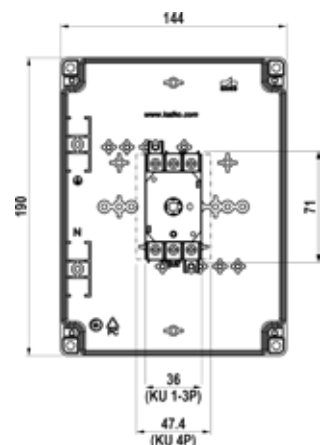
Enclosure type	Width mm	Height mm	Depth mm	Material	IP rating
M2	96,4	130,4	106	PC	66
M3	144	190	96	PC	66
M4	180	255	100	PC	66
MF10	188	280	130	PC	65
MF02	560	280	130	PC	65
MF01	280	380	130	PC	65
MF11	280	380	130	PC	65
MF11UL	280	380	130	PC	65
MF03	380	560	180	PC	65
MF04	560	760	250	PC	65



Select switches with new 16-40 A LoadSafe series (bold)



M2 ENCLOSURE



M3 ENCLOSURE

ABS ENCLOSED SAFETY SWITCHES / ISOLATORS 10-80 A



- Padlockable
- Door interlock with defeat mechanism
- Excellent insulating properties
- Good resistance against many chemicals

Dimensional drawings: Dimensional drawings section of this catalogue

3D STEP files available:
www.katko.com/3d-models

Accessories available: www.katko.com/products/accessories/

Enclosure type	Width mm	Height mm	Depth mm	Material	IP rating
M2	96,4	130,4	106	ABS	65
M3	144	190	96	ABS	65

Type		AC-21A	AC-22A		AC-23A	400 V 415 V P / kW	AC-23A Ie / A	690 V P / kW	EAN code		Enclosure	Weight kg
			400 V 415 V 690 V	400 V 415 V 690 V					Grey/black	Yellow/red		
Grey/black	Yellow/red	Ie / A	Ie / A	Ie / A					Grey/black	Yellow/red		
1-pole												
KEM 110 M2ABS	KEM 110 YR M2ABS	10 A*	10 A*	10 A*	2 kW**	-	-	-	6419410353806	6419410353813	M2	0.4
KEM 116 M2ABS	KEM 116 YR M2ABS	16 A*	16 A*	16 A*	3 kW**	-	-	-	6419410353820	6419410353837	M2	0.4
KEM 125 M2ABS	KEM 125 YR M2ABS	25 A*	25 A*	25 A*	4 kW**	-	-	-	6419410353844	6419410353851	M2	0.4
KEM 140 M2ABS	KEM 140 YR M2ABS	40 A*	40 A*	40 A*	7,5 kW**	-	-	-	6419410353868	6419410353875	M2	0.4
KEM 163 M3ABS	KEM 163 YR M3ABS	80 A*	63 A*	40 A*	7,5 kW**	-	-	-	6419410353882	6419410353899	M3	0.6
KEM 180 M3ABS	KEM 180 YR M3ABS	100 A*	80 A*	63 A*	11 kW**	-	-	-	6419410353905	6419410353912	M3	0.6
2-pole												
KEM 210 M2ABS	KEM 210 YR M2ABS	10 A*	10 A*	10 A*	2 kW**	-	-	-	6419410353929	6419410353936	M2	0.5
KEM 216 M2ABS	KEM 216 YR M2ABS	16 A*	16 A*	16 A*	3 kW**	-	-	-	6419410353943	6419410353950	M2	0.5
KEM 225 M2ABS	KEM 225 YR M2ABS	25 A*	25 A*	25 A*	4 kW**	-	-	-	6419410353967	6419410353974	M2	0.5
KEM 240 M2ABS	KEM 240 YR M2ABS	40 A*	40 A*	40 A*	7,5 kW**	-	-	-	6419410353981	6419410353998	M2	0.5
KEM 263 M3ABS	KEM 263 YR M3ABS	80 A*	63 A*	40 A*	7,5 kW**	-	-	-	6419410354001	6419410354018	M3	0.7
KEM 280 M3ABS	KEM 280 YR M3ABS	100 A*	80 A*	63 A*	11 kW**	-	-	-	6419410354025	6419410354032	M3	0.7
3-pole												
KEM 310 M2ABS	KEM 310 YR M2ABS	10 A	10 A	10 A	5,5 kW	10 A	7,5 kW	-	6419410481004	6419410481165	M2	0.4
KEM 316 M2ABS	KEM 316 YR M2ABS	16 A	16 A	16 A	7,5 kW	16 A	11 kW	-	6419410481028	6419410481189	M2	0.4
KEM 325 M2ABS	KEM 325 YR M2ABS	25 A	25 A	25 A	11 kW	25 A	22 kW	-	6419410481042	6419410481202	M2	0.4
KEM 340 M2ABS	KEM 340 YR M2ABS	40 A	40 A	40 A	22 kW	25 A	22 kW	-	6419410481066	6419410481226	M2	0.4
KEM 363 M3ABS	KEM 363 YR M3ABS	80 A	63 A	40 A	22 kW	40 A	37 kW	-	6419410481325	6419410481646	M3	0.6
KEM 380 M3ABS	KEM 380 YR M3ABS	100 A	80 A	63 A	30 kW	40 A	37 kW	-	6419410481363	6419410481684	M3	0.6
4-pole												
KEM 410 M2ABS	KEM 410 YR M2ABS	10 A	10 A	10 A	5,5 kW	10 A	7,5 kW	-	6419410481011	6419410481172	M2	0.5
KEM 416 M2ABS	KEM 416 YR M2ABS	16 A	16 A	16 A	7,5 kW	16 A	11 kW	-	6419410481035	6419410481196	M2	0.5
KEM 425 M2ABS	KEM 425 YR M2ABS	25 A	25 A	25 A	11 kW	25 A	22 kW	-	6419410481059	6419410481219	M2	0.5
KEM 440 M2ABS	KEM 440 YR M2ABS	40 A	40 A	40 A	22 kW	25 A	22 kW	-	6419410481073	6419410481233	M2	0.5
KEM 463 M3ABS	KEM 463 YR M3ABS	80 A	63 A	40 A	22 kW	40 A	37 kW	-	6419410481332	6419410481653	M3	0.7
KEM 480 M3ABS	KEM 480 YR M3ABS	100 A	80 A	63 A	30 kW	40 A	37 kW	-	6419410481370	6419410481691	M3	0.7

* 400/415 V

**240 V

EMC-PROTECTED SAFETY SWITCHES / ISOLATORS 16-630 A



- Electromagnetic compatibility ensures safe operation in environments with electromagnetic disturbance
- Tested according to EMC EN 61000-6-3:2007+A1(2011) with EMC- glands shielded power cable
- Available in polycarbonate up to 80 A, aluminium up to 125 A and sheet steel up to 630 A
- Padlockable
- Door interlock with defeat mechanism
- EMC cable glands included

Dimensional drawings: Dimensional drawings section of this catalogue

3D STEP files available:
www.katko.com/3d-models

Accessories available: www.katko.com/products/accessories/

Enclosure type	Width mm	Height mm	Depth mm	Material	IP rating
A2	104	158,5	79,5	Aluminum	66
A4	162	262	108	Aluminum	66
M2	96,4	130,4	106	PC	66
M3	144	190	96	PC	66
M4	180	255	100	PC	66
T5	300	400	120	Sheet steel	65
T6	400	600	200	Sheet steel	65
T7	600	800	250	Sheet steel	65

Type		400 V		415 V		AC-23A	400 V 415 V	AC-23A	690 V	EAN code		Enclosure	Cable glands	Weight kg
		AC-21A	415 V	AC-22A	415 V					Grey/black	Yellow/red			
Grey/black	Yellow/red	Ie / A		Ie / A		Ie / A	P / kW	Ie / A	P / kW	Grey/black	Yellow/red			
Polycarbonate enclosures														
KEM 316 M2EMC 2XM25MEMC	KEM 316 YR M2EMC 2XM25MEMC	16 A	16 A	16 A	16 A	16 A	7.5 kW	16 A	11 kW	6419410329207	6419410329252	M2	2xM25	0.6
KEM 325 M2EMC 2XM25MEMC	KEM 325 YR M2EMC 2XM25MEMC	25 A	25 A	25 A	25 A	25 A	11 kW	25 A	22 kW	6419410329214	6419410329269	M2	2xM25	0.6
KEM 340 M2EMC 2XM25MEMC	KEM 340 YR M2EMC 2XM25MEMC	40 A	40 A	40 A	40 A	40 A	22 kW	25 A	22 kW	6419410329221	6419410329276	M2	2xM25	0.8
KEM 363 M3EMC 2XM32MEMC	KEM 363 YR M3EMC 2XM32MEMC	80 A	63 A	40 A	22 kW	40 A	37 kW	40 A	37 kW	6419410329238	6419410329283	M3	2xM32	0.8
KEM 380 M3EMC 2XM32MEMC	KEM 380 YR M3EMC 2XM32MEMC	100 A	80 A	63 A	30 kW	40 A	37 kW	40 A	37 kW	6419410329245	6419410329290	M3	2xM32	0.8
KEM 3100 M4EMC 2XM40MEMC	KEM 3100 YR M4EMC 2XM40MEMC	125 A	100 A	100 A	55 kW	63 A	55 kW	63 A	55 kW	6419410315484	6419410315521	M4	2xM40	1
KEM 3125 M4EMC 2XM40MEMC	KEM 3125 YR M4EMC 2XM40MEMC	160 A	125 A	125 A	55 kW	80 A	75 kW	80 A	75 kW	6419410315491	6419410315538	M4	2xM40	1
Aluminium enclosures														
KEA 316 A2EMC 2XM25MEMC KST16M	KEA 316 YR A2EMC 2XM25MEMC KST16M	16 A	16 A	16 A	7.5 kW	16 A	11 kW	16 A	11 kW	6419410483008	6419410483039	A2	2xM25	0.8
KEA 325 A2EMC 2XM25MEMC KST16M	KEA 325 YR A2EMC 2XM25MEMC KST16M	25 A	25 A	25 A	11 kW	25 A	22 kW	25 A	22 kW	6419410483015	6419410483046	A2	2xM25	0.8
KEA 340 A2EMC 2XM25MEMC KST16M	KEA 340 YR A2EMC 2XM25MEMC KST16M	40 A	40 A	40 A	22 kW	25 A	22 kW	25 A	22 kW	6419410483022	6419410483053	A2	2xM25	0.8
KEA 363 A4EMC 2XM40MEMC KST16M	KEA 363 YR A4EMC 2XM40MEMC KST16M	80 A	63 A	40 A	22 kW	40 A	37 kW	40 A	37 kW	6419410336601	6419410336465	A4	2xM40	2.1
KEA 380 A4EMC 2XM40MEMC KST16M	KEA 380 YR A4EMC 2XM40MEMC KST16M	100 A	80 A	63 A	30 kW	40 A	37 kW	40 A	37 kW	6419410336618	6419410336472	A4	2xM40	2.1
KEA 3100 A4EMC 2XM40MEMC KST16M	KEA 3100 YR A4EMC 2XM40MEMC KST16M	125 A	100 A	100 A	55 kW	63 A	55 kW	63 A	55 kW	6419410315507	6419410315545	A4	2xM40	3.5
KEA 3125 A4EMC 2XM40MEMC KST16M	KEA 3125 YR A4EMC 2XM40MEMC KST16M	160 A	125 A	125 A	55 kW	80 A	75 kW	80 A	75 kW	6419410336625	6419410336489	A4	2xM40	3.5
KEA 3160 A4EMC 2XM40MEMC KST16M	KEA 3160 YR A4EMC 2XM40MEMC KST16M	160 A	160 A	160 A	90 kW	100 A	90 kW	100 A	90 kW	6419410315514	6419410315552	A4	2xM40	3.5
Sheet steel enclosures														
KET 3160 T5EMC 2XM50MEMC	KET 3160 YR T5EMC 2XM50MEMC	160 A	160 A	160 A	90 kW	100 A	90 kW	100 A	90 kW	6419410336649	6419410338735	T5	2xM50	8.1
KET 3200 T6EMC 2XM50MEMC	KET 3200 YR T6EMC 2XM50MEMC	200 A	200 A	200 A	110 kW	200 A	160 kW	200 A	160 kW	6419410336656	6419410338742	T6	2xM50	19
KET 3250 T6EMC 2XM63MEMC	KET 3250 YR T6EMC 2XM63MEMC	250 A	250 A	250 A	132 kW	250 A	250 kW	250 A	250 kW	6419410336663	6419410338759	T6	2xM63	19
KET 3315 T6EMC 2XM63MEMC	KET 3315 YR T6EMC 2XM63MEMC	315 A	315 A	315 A	160 kW	315 A	315 kW	315 A	315 kW	6419410336670	6419410338766	T6	2xM63	20
KET 3400 T7EMC 2XM63MEMC	KET 3400 YR T7EMC 2XM63MEMC	400 A	400 A	400 A	200 kW	400 A	355 kW	400 A	355 kW	6419410336687	6419410338773	T7	2xM63	20
KET 3630 T7EMC 2XM63MEMC	KET 3630 YR T7EMC 2XM63MEMC	630 A	630 A	630 A	355 kW	630 A	630 kW	630 A	630 kW	6419410336694	6419410338780	T7	2xM63L	39

* 160-630 A cable glands according to order

SHEET STEEL ENCLOSED SAFETY SWITCHES / ISOLATORS 16-1600 A



- Good corrosion resistance
- Wide operating temperature range
- Padlockable
- Door interlock with defeat mechanism
- Excellent Insulating properties
- Good UV resistance
- Good resistance against many chemicals
- Available up to 1600A

Dimensional drawings: Dimensional drawings section of this catalogue

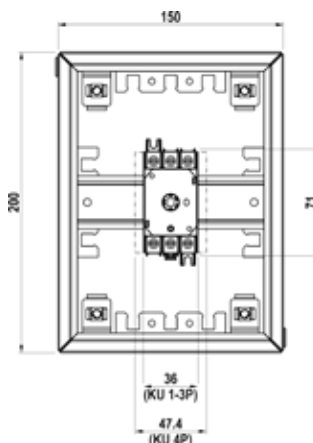
3D STEP files available:
www.katko.com/3d-models

Accessories available: www.katko.com/products/accessories/

Enclosure type	Width mm	Height mm	Depth mm	Material	IP rating
T3	150	200	120	Sheet steel	65
T4	150	300	120	Sheet steel	65
T5	300	400	120	Sheet steel	65
T6	400	600	200	Sheet steel	65
T6B	600	600	200	Sheet steel	65
T7	600	800	250	Sheet steel	65
T8	800	800	200	Sheet steel	65
T10A	600	1200	300	Sheet steel	65
T10	800	1200	300	Sheet steel	65



Select switches with new 16-40 A LoadSafe series (bold)



T3 ENCLOSURE

ALUMINIUM ENCLOSED SAFETY SWITCHES / ISOLATORS 16-250 A



- IK08; A2, A4 (Degree of mechanical impact)
- IK10: A5, A6
- Wide operating temperature range
- Good resistance against many chemicals
- Good UV resistance
- Excellent for hard weather conditions
- Padlockable
- Door interlock with defeat mechanism

Dimensional drawings: Dimensional drawings section of this catalogue

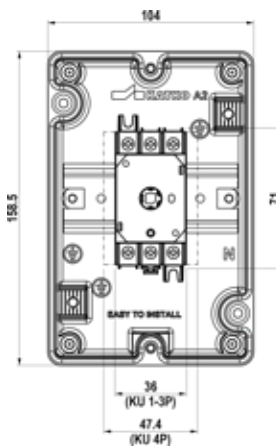
3D STEP files available:
www.katko.com/3d-models

Accessories available: www.katko.com/products/accessories/

Enclosure type	Width mm	Height mm	Depth mm	Material	IP rating
A2	104	158,5	79,5	Aluminum	66
A4	162	262	108	Aluminum	66
A5	300	400	170	Aluminum	65
A6	400	500	170	Aluminum	65



Select switches with new 16-40 A LoadSafe series (**bold**)



A2 ENCLOSURE

ALUMINIUM ENCLOSED SAFETY SWITCHES / ISOLATORS 16-250 A

Type		AC-21A	400 V	AC-22A	400 V	AC-23A	400 V	AC-23A	690 V	EAN code		Enclosure	Weight kg
			415 V		415 V					415 V	690 V		
Grey/black	Yellow/red	Ie / A	Ie / A	Ie / A	Ie / A	P / kW	Ie / A	P / kW	P / kW	Grey/black	Yellow/red		
3-pole													
KEA 316 A2	KEA 316 YR A2	16 A	16 A	16 A	16 A	7.5 kW	16 A	11 kW	11 kW	6419410442012	6419410446218	A2	0.8
KEA 325 A2	KEA 325 YR A2	25 A	25 A	25 A	25 A	11 kW	25 A	22 kW	22 kW	6419410442081	6419410446287	A2	0.8
KEA 340 A2	KEA 340 YR A2	40 A	40 A	40 A	40 A	22 kW	25 A	22 kW	22 kW	6419410442159	6419410446355	A2	0.8
KEM 316NO A2	KEM 316NO YR A2	16 A	16 A	16 A	16 A	7.5 kW	16 A	11 kW	11 kW	6419410450413	6419410454619	A2	0.8
KEM 325NO A2	KEM 325NO YR A2	25 A	25 A	25 A	25 A	11 kW	25 A	22 kW	22 kW	6419410450482	6419410454688	A2	0.8
KEM 340NO A2	KEM 340NO YR A2	40 A	40 A	40 A	40 A	22 kW	25 A	22 kW	22 kW	6419410450550	6419410454756	A2	0.8
KEA 363 A4	KEA 363 YR A4	80 A	63 A	40 A	40 A	22 kW	40 A	37 kW	37 kW	6419410329566	6419410329740	A4	2
KEA 380 A4	KEA 380 YR A4	100 A	80 A	63 A	40 A	30 kW	40 A	37 kW	37 kW	6419410329603	6419410329788	A4	2
KEA 3100 A4	KEA 3100 YR A4	125 A	100 A	100 A	100 A	55 kW	63 A	55 kW	55 kW	6419410315347	6419410315385	A4	3.5
KEA 3125 A4	KEA 3125 YR A4	160 A	125 A	125 A	125 A	55 kW	80 A	75 kW	75 kW	6419410329641	6419410329825	A4	3.5
KEA 3160 A4	KEA 3160 YR A4	160 A	160 A	160 A	160 A	90 kW	100 A	90 kW	90 kW	6419410329665	6419410329849	A4	3.5
KEA 3200 A6	KEA 3200 YR A6	200 A	200 A	200 A	200 A	110 kW	200 A	160 kW	160 kW	6419410332504	6419410332658	A6	14
KEA 3200C A5	KEA 3200C YR A5	200 A	200 A*	200 A	200 A	110 kW	-	-	-	6419410332900	6419410332917	A5	8.6
KEA 3250 A6	KEA 3250 YR A6	250 A	250 A	250 A	250 A	132 kW	250 A	250 kW	250 kW	6419410332801	6419410332672	A6	14
KEA 3250C A5	KEA 3250C YR A5	250 A	250 A*	250 A	250 A	132 kW	-	-	-	6419410332924	6419410332931	A5	8.6
4-pole													
KEA 416 A2	KEA 416 YR A2	16 A	16 A	16 A	16 A	7.5 kW	16 A	11 kW	11 kW	6419410442227	6419410446423	A2	0.9
KEA 425 A2	KEA 425 YR A2	25 A	25 A	25 A	25 A	11 kW	25 A	22 kW	22 kW	6419410442296	6419410446492	A2	0.9
KEA 440 A2	KEA 440 YR A2	40 A	40 A	40 A	40 A	22 kW	25 A	22 kW	22 kW	6419410442364	6419410446560	A2	0.9
KEM 416 1NO A2	KEM 416 1NOYR A2	16 A	16 A	16 A	16 A	7.5 kW	16 A	11 kW	11 kW	6419410450628	6419410454824	A2	0.9
KEM 425 1NO A2	KEM 425 1NOYR A2	25 A	25 A	25 A	25 A	11 kW	25 A	22 kW	22 kW	6419410450697	6419410454893	A2	0.9
KEM 440 1NO A2	KEM 440 1NOYR A2	40 A	40 A	40 A	40 A	22 kW	25 A	22 kW	22 kW	6419410450765	6419410454961	A2	0.9
KEA 463 A4	KEA 463 YR A4	80 A	63 A	40 A	40 A	22 kW	40 A	37 kW	37 kW	6419410329573	6419410329757	A4	2.1
KEA 480 A4	KEA 480 YR A4	100 A	80 A	63 A	40 A	30 kW	40 A	37 kW	37 kW	6419410329610	6419410329795	A4	2.1
KEA 4100 A4	KEA 4100 YR A4	125 A	100 A	100 A	100 A	55 kW	63 A	55 kW	55 kW	6419410315354	6419410315392	A4	3.6
KEA 4125 A4	KEA 4125 YR A4	160 A	125 A	125 A	125 A	55 kW	80 A	75 kW	75 kW	6419410329658	6419410329832	A4	3.6
KEA 4160 A4	KEA 4160 YR A4	160 A	160 A	160 A	160 A	90 kW	100 A	90 kW	90 kW	6419410329672	6419410329856	A4	3.6
KEA 4200 A6	KEA 4200 YR A6	200 A	200 A	200 A	200 A	110 kW	200 A	160 kW	160 kW	6419410358061	6419410358078	A6	14.1
KEA 4200C A5	KEA 4200C YR A5	200 A	200 A*	200 A	200 A	110 kW	-	-	-	6419410332948	6419410332955	A5	8.8
KEA 4250 A6	KEA 4250 YR A6	250 A	250 A	250 A	250 A	132 kW	250 A	250 kW	250 kW	6419410358085	6419410358092	A6	14.1
KEA 4250C A5	KEA 4250C YR A5	250 A	250 A*	250 A	250 A	132 kW	-	-	-	6419410332962	6419410332979	A5	8.8
6-pole													
KEA 616 A4	KEA 616 YR A4	16 A	16 A	16 A	16 A	7.5 kW	16 A	11 kW	11 kW	6419410329504	6419410329689	A4	2.3
KEA 625 A4	KEA 625 YR A4	25 A	25 A	25 A	25 A	11 kW	25 A	22 kW	22 kW	6419410329528	6419410329702	A4	2.3
KEA 640 A4	KEA 640 YR A4	40 A	40 A	40 A	40 A	22 kW	25 A	22 kW	22 kW	6419410329542	6419410329726	A4	2.3
KEA 663 A4	KEA 663 YR A4	80 A	63 A	40 A	40 A	22 kW	40 A	37 kW	37 kW	6419410329580	6419410329764	A4	2.3
KEA 680 A4	KEA 680 YR A4	100 A	80 A	63 A	40 A	30 kW	40 A	37 kW	37 kW	6419410329627	6419410329801	A4	2.3
KEA 6100 A5	KEA 6100 YR A5	125 A	100 A	100 A	100 A	55 kW	63 A	55 kW	55 kW	6419410315361	6419410315408	A5	9.9
KEA 6125 A5	KEA 6125 YR A5	160 A	125 A	125 A	125 A	55 kW	80 A	75 kW	75 kW	6419410332207	6419410336007	A5	9.9
KEA 6160 A5	KEA 6160 YR A5	160 A	160 A	160 A	160 A	90 kW	100 A	90 kW	90 kW	6419410332603	6419410336410	A5	9.9
8-pole													
KEA 816 A4	KEA 816 YR A4	16 A	16 A	16 A	16 A	7.5 kW	16 A	11 kW	11 kW	6419410329511	6419410329696	A4	2.4
KEA 825 A4	KEA 825 YR A4	25 A	25 A	25 A	25 A	11 kW	25 A	22 kW	22 kW	6419410329535	6419410329719	A4	2.4
KEA 840 A4	KEA 840 YR A4	40 A	40 A	40 A	40 A	22 kW	25 A	22 kW	22 kW	6419410329559	6419410329733	A4	2.4
KEA 863 A4	KEA 863 YR A4	80 A	63 A	40 A	40 A	22 kW	40 A	37 kW	37 kW	6419410329597	6419410329771	A4	2.4
KEA 880 A4	KEA 880 YR A4	100 A	80 A	63 A	40 A	30 kW	40 A	37 kW	37 kW	6419410329634	6419410329818	A4	2.4
KEA 8100 A5	KEA 8100 YR A5	125 A	100 A	100 A	100 A	55 kW	63 A	55 kW	55 kW	6419410315378	6419410315415	A5	10
KEA 8125 A5	KEA 8125 YR A5	160 A	125 A	125 A	125 A	55 kW	80 A	75 kW	75 kW	6419410332221	6419410336021	A5	10
KEA 8160 A5	KEA 8160 YR A5	160 A	160 A	160 A	160 A	90 kW	100 A	90 kW	90 kW	6419410332627	6419410336427	A5	10

* 400/415 V

**240 V

STAINLESS STEEL ENCLOSED SAFETY SWITCHES / ISOLATORS 16-1600 A



- Where hygiene and good protection against corrosion are required
- Padlockable
- Door interlock with defeat mechanism

Dimensional drawings: Dimensional drawings section of this catalogue

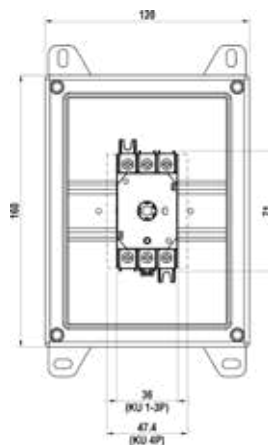
3D STEP files available:
www.katko.com/3d-models

Accessories available: www.katko.com/products/accessories/

Enclosure type	Width mm	Height mm	Depth mm	Material	IP rating
R6	400	600	200	AISI304	65
R7	600	800	200	AISI304	65
R8	800	800	300	AISI304	65
R9	800	1000	300	AISI304	65
R10	800	1200	300	AISI304	65
RA2	120	160	77	AISI316	66
RA4	160	260	90	AISI316	66
RA5	300	420	120	AISI316	66



Select switches with new 16-40 A LoadSafe series (bold)



RA2 ENCLOSURE

STAINLESS STEEL ENCLOSED SAFETY SWITCHES / ISOLATORS 16-160A



- Designed for hygienic and heavy environments
- Easy to install and to keep clean
- IP66, stainless steel enclosure
- Acid proof, AISI 316
- Rainhood protection with angled top
- Padlockable stainless steel handle

Dimensional drawings: Dimensional drawings section of this catalogue

3D STEP files available:
www.katko.com/3d-models

Accessories available: www.katko.com/products/accessories/

Enclosure type	Width mm	Height mm	Depth mm	Material	IP rating
RA2R	120	160	77	AISI316	66
RA2RS	120	258	113	AISI316	66
RA4R	160	260	90	AISI316	66
RA4RS	160	369	127	AISI316	66
RA5R	300	400	120	AISI316	66
RA5RS	300	532	156	AISI316	66

Type		AC-21A	400 V	AC-22A	400 V	AC-23A	400 V 415 V	AC-23A	690 V	EAN code		Weight kg	
			415 V 690 V		415 V 690 V					Without angled top	With angled top	Without angled top	With angled top
Without angled top	With angled top	Ie / A		Ie / A		Ie / A	P / kW	Ie / A	P / kW	Without angled top	With angled top	Without angled top	With angled top
3-pole													
KER 316 RA2R 2XKST25M KST16M	KER 316 RA2RS 2XKST25M KST16M	16 A	16 A	16 A	7.5 kW	16 A	11 kW	6419410306550	6419410306611	1.2	1.7		
KER 325 RA2R 2XKST25M KST16M	KER 325 RA2RS 2XKST25M KST16M	25 A	25 A	25 A	11 kW	25 A	22 kW	6419410306567	6419410306628	1.2	1.7		
KER 340 RA2R 2XKST25M KST16M	KER 340 RA2RS 2XKST25M KST16M	40 A	40 A	40 A	22 kW	25 A	22 kW	6419410306574	6419410306635	1.2	1.7		
KER 363 RA4R	KER 363 RA4RS	80 A	63 A	40 A	22 kW	40 A	37 kW	6419410306703	6419410307052	2,3	2,9		
KER 380 RA4R	KER 380 RA4RS	100 A	80 A	63 A	30 kW	40 A	37 kW	6419410306710	6419410307069	2,3	2,9		
KER 3125 RA5R	KER 3125 RA5RS	160 A	125 A	125 A	55 kW	80 A	75 kW	6419410357828	6419410357835	6,9	8		
KER 3160 RA5R	KER 3160 RA5RS	160 A	160 A	160 A	90 kW	100 A	90 kW	6419410357842	6419410357859	6,9	8		
KER 3200C RA5R	KER 3200C RA5RS	200 A	200 A (400/415 V)	200 A	110 kW	-	-	6419410255957	6419410211656	7	8,1		
4-pole													
KER 416 RA2R 2XKST25M KST16M	KER 416 RA2RS 2XKST25M KST16M	16 A	16 A	16 A	7.5 kW	16 A	11 kW	6419410306581	6419410306642	1.3	1.8		
KER 425 RA2R 2XKST25M KST16M	KER 425 RA2RS 2XKST25M KST16M	25 A	25 A	25 A	11 kW	25 A	22 kW	6419410306598	6419410306659	1.3	1.8		
KER 440 RA2R 2XKST25M KST16M	KER 440 RA2RS 2XKST25M KST16M	40 A	40 A	40 A	22 kW	25 A	22 kW	6419410306604	6419410306666	1.3	1.8		
KER 463 RA4R	KER 463 RA4RS	80 A	63 A	40 A	22 kW	40 A	37 kW	6419410306727	6419410307076	2,4	3		
KER 480 RA4R	KER 480 RA4RS	100 A	80 A	63 A	30 kW	40 A	37 kW	6419410306734	6419410307083	2,4	3		
KER 4125 RA5R	KER 4125 RA5RS	160 A	125 A	125 A	55 kW	80 A	75 kW	6419410305720	6419410305737	7	8,1		
KER 4160 RA5R	KER 4160 RA5RS	160 A	160 A	160 A	90 kW	100 A	90 kW	6419410305744	6419410305751	7	8,1		
6-pole													
KER 616 RA4R	KER 616 RA4RS	16 A	16 A	16 A	7.5 kW	16 A	11 kW	6419410306741	6419410348031	2,5	3,1		
KER 625 RA4R	KER 625 RA4RS	25 A	25 A	25 A	11 kW	25 A	22 kW	6419410306758	6419410348048	2,5	3,1		
KER 640 RA4R	KER 640 RA4RS	40 A	40 A	40 A	22 kW	25 A	22 kW	6419410306765	6419410348055	2,5	3,1		
KER 663 RA4R	KER 663 RA4RS	80 A	63 A	40 A	22 kW	40 A	37 kW	6419410306772	6419410348062	2,5	3,1		
KER 680 RA4R	KER 680 RA4RS	100 A	80 A	63 A	30 kW	40 A	37 kW	6419410306789	6419410348079	2,5	3,1		
KER 6125 RA5R	KER 6125 RA5RS	160 A	125 A	125 A	55 kW	80 A	75 kW	6419410306680	6419410348086	7,4	8,45		



KATKO

ON I

OFF O

ISOLATING SWITCH

STAINLESS STEEL ENCLOSED SAFETY SWITCHES / ISOLATORS IP69K 16-125A



- IP69K rating
- LK11 handle (Black or yellow/red)
- Where hygiene and good protection against corrosion are required
- Padlockable
- Door interlock with defeat mechanism

Dimensional drawings: Dimensional drawings section of this catalogue

3D STEP files available:
www.katko.com/3d-models

Accessories available: www.katko.com/products/accessories/

Enclosure type	Width mm	Height mm	Depth mm	Material	IP rating
RA2	120	160	77	AISI316	66
RA4	160	260	90	AISI316	66

Type		AC-22A	400 V		AC-23A	400 V	AC-23A	690 V	EAN code		Enclosure	Weight
			415 V	690 V					415 V	Black		
Black	Yellow/Red	le / A	le / A	P / kW	le / A	P / kW	Black	Yellow/Red	kg			
3 poles												
KER 316 IP69K RA2 2XKST25M KST16M	KER 316 YRIP69K RA2 2XKST25M KST16M	16 A	16 A	7.5 kW	16 A	11 kW	6419410325919	6419410326152	RA2	1.2		
KER 325 IP69K RA2 2XKST25M KST16M	KER 325 YRIP69K RA2 2XKST25M KST16M	25 A	25 A	11 kW	25 A	22 kW	6419410325926	6419410326169	RA2	1.2		
KER 340 IP69K RA2 2XKST25M KST16M	KER 340 YRIP69K RA2 2XKST25M KST16M	40 A	40 A	22 kW	25 A	22 kW	6419410325933	6419410326176	RA2	1.2		
KER 363 IP69K RA4	KER 363 YRIP69K RA4	63 A	40 A	22 kW	40 A	37 kW	6419410325940	6419410326183	RA4	2.3		
KER 380 IP69K RA4	KER 380 YRIP69K RA4	80 A	63 A	30 kW	40 A	37 kW	6419410325957	6419410326190	RA4	2.3		
KER 3100 IP69K RA4	KER 3100 YRIP69K RA4	100 A	80 A	45 kW	63 A	55 kW	6419410325964	6419410326206	RA4	2.3		
KER 3125 IP69K RA4	KER 3125 YRIP69K RA4	125 A	125 A	55 kW	80 A	75 kW	6419410325971	6419410326213	RA4	2.3		
4 poles												
KER 416 IP69K RA2 2XKST25M KST16M	KER 416 YRIP69K RA2 2XKST25M KST16M	16 A	16 A	7.5 kW	16 A	11 kW	6419410325988	6419410326220	RA2	1.3		
KER 425 IP69K RA2 2XKST25M KST16M	KER 425 YRIP69K RA2 2XKST25M KST16M	25 A	25 A	11 kW	25 A	22 kW	6419410325995	6419410326237	RA2	1.3		
KER 440 IP69K RA2 2XKST25M KST16M	KER 440 YRIP69K RA2 2XKST25M KST16M	40 A	40 A	22 kW	25 A	22 kW	6419410326008	6419410326244	RA2	1.3		
KER 463 IP69K RA4	KER 463 YRIP69K RA4	63 A	40 A	22 kW	40 A	37 kW	6419410326015	6419410326251	RA4	2.4		
KER 480 IP69K RA4	KER 480 YRIP69K RA4	80 A	63 A	30 kW	40 A	37 kW	6419410326022	6419410326268	RA4	2.4		
KER 4100 IP69K RA4	KER 4100 YRIP69K RA4	100 A	80 A	45 kW	63 A	55 kW	6419410326039	6419410326275	RA4	2.4		
KER 4125 IP69K RA4	KER 4125 YRIP69K RA4	125 A	125 A	55 kW	80 A	75 kW	6419410326046	6419410326282	RA4	2.4		
6 poles												
KER 616 IP69K RA4	KER 616 YRIP69K RA4	16 A	16 A	7.5 kW	16 A	11 kW	6419410326053	6419410326299	RA4	2.9		
KER 625 IP69K RA4	KER 625 YRIP69K RA4	25 A	25 A	11 kW	25 A	22 kW	6419410326060	6419410326305	RA4	2.9		
KER 640 IP69K RA4	KER 640 YRIP69K RA4	40 A	40 A	22 kW	25 A	22 kW	6419410326077	6419410326312	RA4	2.9		
KER 663 IP69K RA4	KER 663 YRIP69K RA4	63 A	40 A	22 kW	40 A	37 kW	6419410326084	6419410326329	RA4	2.9		
KER 680 IP69K RA4	KER 680 YRIP69K RA4	80 A	63 A	30 kW	40 A	37 kW	6419410326091	6419410326336	RA4	2.9		
8 poles												
KER 816 IP69K RA4	KER 816 YRIP69K RA4	16 A	16 A	7.5 kW	16 A	11 kW	6419410326107	6419410326343	RA4	3		
KER 825 IP69K RA4	KER 825 YRIP69K RA4	25 A	25 A	11 kW	25 A	22 kW	6419410326114	6419410326350	RA4	3		
KER 840 IP69K RA4	KER 840 YRIP69K RA4	40 A	40 A	22 kW	25 A	22 kW	6419410326121	6419410326367	RA4	3		
KER 863 IP69K RA4	KER 863 YRIP69K RA4	63 A	40 A	22 kW	40 A	37 kW	6419410326138	6419410326374	RA4	3		
KER 880 IP69K RA4	KER 880 YRIP69K RA4	80 A	63 A	30 kW	40 A	37 kW	6419410326145	6419410326381	RA4	3		

STAINLESS STEEL ENCLOSED SAFETY SWITCHES / ISOLATORS IP69K RAINHOOD PROTECTION 16-125A



- IP69K rating
- LK11 handle (Black or yellow/red)
- Sloped roof for extra protection
- Where hygiene and good protection against corrosion are required
- Padlockable
- Door interlock with defeat mechanism

Dimensional drawings: Dimensional drawings section of this catalogue

3D STEP files available:
www.katko.com/3d-models

Accessories available: www.katko.com/products/accessories/

Enclosure type	Width mm	Height mm	Depth mm	Material	IP rating
RA2S	120	160	113	AISI316	66
RA4S	160	260	90	AISI316	66

Type		AC-22A	400 V		AC-23A	400 V	AC-23A	690 V	EAN code		Enclosure	Weight
			415 V	690 V					415 V	Black		
		le / A	le / A	P / kW	le / A	P / kW	Black	Yellow/Red			kg	
3 poles												
KER 316 IP69K RA2S 2XKST25M KST16M	KER 316 YRIP69K RA2S 2XKST25M KST16M	16 A	16 A	7.5 kW	16 A	11 kW	6419410349724	6419410349861	RA2S	1,7		
KER 325 IP69K RA2S 2XKST25M KST16M	KER 325 YRIP69K RA2S 2XKST25M KST16M	25 A	25 A	11 kW	25 A	22 kW	6419410349731	6419410349878	RA2S	1,7		
KER 340 IP69K RA2S 2XKST25M KST16M	KER 340 YRIP69K RA2S 2XKST25M KST16M	40 A	40 A	22 kW	25 A	22 kW	6419410349748	6419410349885	RA2S	1,7		
KER 363 IP69K RA4S	KER 363 YRIP69K RA4S	63 A	40 A	22 kW	40 A	37 kW	6419410349755	6419410349892	RA4S	2,9		
KER 380 IP69K RA4S	KER 380 YRIP69K RA4S	80 A	63 A	30 kW	40 A	37 kW	6419410349762	6419410349908	RA4S	2,9		
KER 3100 IP69K RA4S	KER 3100 YRIP69K RA4S	100 A	80 A	45 kW	63 A	55 kW	6419410349779	6419410349915	RA4S	2,9		
KER 3125 IP69K RA4S	KER 3125 YRIP69K RA4S	125 A	125 A	55 kW	80 A	75 kW	6419410349786	6419410349922	RA4S	2,9		
4 poles												
KER 416 IP69K RA2S 2XKST25M KST16M	KER 416 YRIP69K RA2S 2XKST25M KST16M	16 A	16 A	7.5 kW	16 A	11 kW	6419410349793	6419410349939	RA2S	1,8		
KER 425 IP69K RA2S 2XKST25M KST16M	KER 425 YRIP69K RA2S 2XKST25M KST16M	25 A	25 A	11 kW	25 A	22 kW	6419410349809	6419410349946	RA2S	1,8		
KER 440 IP69K RA2S 2XKST25M KST16M	KER 440 YRIP69K RA2S 2XKST25M KST16M	40 A	40 A	22 kW	25 A	22 kW	6419410349816	6419410349953	RA2S	1,8		
KER 463 IP69K RA4S	KER 463 YRIP69K RA4S	63 A	40 A	22 kW	40 A	37 kW	6419410349823	6419410349960	RA4S	3		
KER 480 IP69K RA4S	KER 480 YRIP69K RA4S	80 A	63 A	30 kW	40 A	37 kW	6419410349830	6419410349977	RA4S	3		
KER 4100 IP69K RA4S	KER 4100 YRIP69K RA4S	100 A	80 A	45 kW	63 A	55 kW	6419410349847	6419410349984	RA4S	3		
KER 4125 IP69K RA4S	KER 4125 YRIP69K RA4S	125 A	125 A	55 kW	80 A	75 kW	6419410349854	6419410349991	RA4S	3		

SIDE OPERATED SWITCHES POLYCARBONATE ENCLOSED 16 A



- IP67 without cable glands, IP65 with cable glands.
- Fully rated Load Break Switch
- Good resistance against UV and many chemicals
- Membrane gasket cable entries with strain relief as standard 2 x 20mm on top, 2 x 20mm on bottom and 2 x 15mm on base.
- Wall mounting with membrane gaskets
- Wall mounting dimensions: 90,0 x 62,0
- Large 1,5 - 16 mm² cable terminals
- Padlockable handle to off-position
- Handle sealable to on-position
- Enclosure can be sealed in any position
- Available 2, 3, 4P and with auxiliary contact (S)
- Large 1,5 - 16 mm² Neutral and earth terminals on 3P switch, earth on 2P and 4P switches
- Door interlock

Dimensional drawings: Dimensional drawings section of this catalogue

3D STEP files available:
www.katko.com/3d-models

Accessories available: www.katko.com/products/accessories/



Enclosure type	Width mm	Height mm	Depth mm	Material	IP rating
M1	83	128	55,6	PC	67

Type		AC-23A / 400 V	AC-23A / 690 V	Poles	Enclosure	EAN code		Weight kg
Grey	Y/R					Grey	Y/R	
KSM 216 M1	KSM 216 YR M1	16 A / 7,5 kW	--	2P	M1	6419410328347	6419410328170	0.21
KSM 316 M1	KSM 316 YR M1	16 A / 7,5 kW	--	3P	M1	6419410328354	6419410328507	0.28
KSM 416 M1	KSM 416 YR M1	16 A / 7,5 kW	--	4P	M1	6419410328361	6419410328187	0.28
KSM 316S M1	KSM 316S YR M1	16 A / 7,5 kW	--	3P*	M1	6419410328378	6419410328606	0.31
KSM 225 M1	KSM 225 YR M1	25 A / 11 kW	--	2P	M1	6419410328385	6419410328460	0.21
KSM 325 M1	KSM 325 YR M1	25 A / 11 kW	--	3P	M1	6419410328392	6419410328590	0.28
KSM 425 M1	KSM 425 YR M1	25 A / 11 kW	--	4P	M1	6419410328408	6419410328484	0.28
KSM 325S M1	KSM 325S YR M1	25 A / 11 kW	--	3P*	M1	6419410328415	6419410328613	0.31

*with auxiliary contact, Y/R=yellow/red

FIRERATED ALUMINIUM ENCLOSED SAFETY SWITCHES / ISOLATORS 16-200A



- F200 3H (FR) / F300 2H (FR3)
- Padlockable
- Door interlock with defeat mechanism
- ON-locking facility as option
- Good corrosion and UV resistance
- Excellent for hard weather conditions

Enclosure type	Width mm	Height mm	Depth mm	Material	IP rating
A2	104	158,5	79,5	Aluminum	66
A4	162	262	108	Aluminum	66
A5	300	400	170	Aluminum	65
A6	400	500	170	Aluminum	65

Type		AC-21A	400 V	AC-22A	400 V	AC-23A	400 V	AC-23A	690 V	EAN code		Enclosure	Weight kg
		415 V		415 V		415 V				F200	F300		
F200 3H	F300 2H	le / A		le / A		le / A	P / kW	le / A**	P / kW**				
3 poles													
KEA 316 FR A2	KEA 316 FR3 A2	25 A		16 A		16 A	7.5 kW	16 A	11 kW	6419410333013	6419410333396	A2	0.8
KEA 325 FR A2	KEA 325 FR3 A2	40 A		25 A		25 A	11 kW	25 A	22 kW	6419410333044	6419410333426	A2	0.8
KEA 340 FR A2	KEA 340 FR3 A2	63 A		40 A		40 A	22 kW	32 A	30 kW	6419410305317	6419410333457	A2	0.8
KEA 363 FR A4	KEA 363 FR3 A4	80 A		63 A		40 A	22 kW	40 A	37 kW	6419410333105	6419410333488	A4	2
KEA 380 FR A4	KEA 380 FR3 A4	100 A		80 A		63 A	30 kW	40 A	37 kW	6419410305331	6419410333518	A4	2
KEA 3125C FR A4		160 A		125 A		125 A	55 kW	80 A	75 kW	6419410300466		A4	2.4
	KEA 3125 FR3 A5	160 A		125 A*		100 A	55 kW	80 A	55 kW		6419410333549	A5	8.6
KEA 3160C FR A4		160 A		160 A		160 A	90 kW	100 A	90 kW	6419410300473		A4	2.4
	KEA 3160 FR3 A5	200 A		160 A*		135 A	75 kW	125 A	90 kW		6419410333556	A5	8.6
KEA 3200C FR A5	KEA 3200C FR3 A5	200 A		200 A*		200 A	110 kW	-	-	6419410333693	6419410333563	A4	8.6
4 poles													
KEA 416 FR A2	KEA 416 FR3 A2	25 A		16 A		16 A	7.5 kW	16 A	11 kW	6419410333020	6419410333402	A2	0.9
KEA 425 FR A2	KEA 425 FR3 A2	40 A		25 A		25 A	11 kW	25 A	22 kW	6419410333051	6419410333433	A2	0.9
KEA 440 FR A2	KEA 440 FR3 A2	63 A		40 A		40 A	22 kW	32 A	30 kW	6419410305362	6419410333464	A2	0.9
KEA 463 FR A4	KEA 463 FR3 A4	80 A		63 A		40 A	22 kW	40 A	37 kW	6419410305379	6419410333495	A4	2.1
KEA 480 FR A4	KEA 480 FR3 A4	100 A		80 A		63 A	30 kW	40 A	37 kW	6419410305386	6419410333525	A4	2.1
KEA 4125C FR A4		160 A		125 A		125 A	55 kW	80 A	75 kW	6419410300480		A4	2.5
	KEA 4125 FR3 A5	160 A		125 A*		100 A	55 kW	80 A	55 kW		6419410333570	A5	8.8
KEA 4160C FR A4		160 A		160 A		160 A	90 kW	100 A	90 kW	6419410300497		A4	2.5
	KEA 4160 FR3 A5	200 A		160 A*		135 A	75 kW	125 A	90 kW		6419410333587	A5	8.8
KEA 4200C FR A5	KEA 4200C FR3 A5	200 A		200 A*		200 A	110 kW	-	-	6419410333723	6419410333594	A5	8.8
6 poles													
KEA 616 FR A4	KEA 616 FR3 A4	25 A		16 A		16 A	7.5 kW	16 A	11 kW	6419410333037	6419410333419	A4	2.3
KEA 625 FR A4	KEA 625 FR3 A4	40 A		25 A		25 A	11 kW	25 A	22 kW	6419410333068	6419410333440	A4	2.3
KEA 640 FR A4	KEA 640 FR3 A4	63 A		40 A		40 A	22 kW	32 A	30 kW	6419410305416	6419410333471	A4	2.3
KEA 663 FR A4	KEA 663 FR3 A4	80 A		63 A		40 A	22 kW	40 A	37 kW	6419410333129	6419410333501	A4	2.3
KEA 680 FR A4	KEA 680 FR3 A4	100 A		80 A		63 A	30 kW	40 A	37 kW	6419410305430	6419410333532	A4	2.3
KEA 6125C FR A5		160 A		125 A		125 A	55 kW	80 A	75 kW	6419410300510		A5	8.8
	KEA 6125 FR3 A6	160 A		125 A*		100 A	55 kW	80 A	55 kW		6419410333600	A6	15
KEA 6160C FR A5		160 A		160 A		160 A	90 kW	100 A	90 kW	6419410300527		A5	8.8
	KEA 6160 FR3 A6	200 A		160 A*		135 A	75 kW	125 A	90 kW		6419410333617	A6	15
KEA 6200C FR A6	KEA 6200C FR3 A6	200 A		200 A*		200 A	110 kW	-	-	6419410333754	6419410333624	A6	15
8 poles													
KEA 816 FR A4	KEA 816 FR3 A4	25 A		16 A		16 A	7.5 kW	16 A	11 kW	6419410305447	6419410333631	A4	2.4
KEA 825 FR A4	KEA 825 FR3 A4	40 A		25 A		25 A	11 kW	25 A	22 kW	6419410305454	6419410333648	A4	2.4
KEA 840 FR A4	KEA 840 FR3 A4	63 A		40 A		40 A	22 kW	32 A	30 kW	6419410305461	6419410333655	A4	2.4
KEA 863 FR A4	KEA 863 FR3 A4	80 A		63 A		40 A	22 kW	40 A	37 kW	6419410305478	6419410333662	A4	2.4
KEA 880 FR A4	KEA 880 FR3 A4	100 A		80 A		63 A	30 kW	40 A	37 kW	6419410305485	6419410333679	A4	2.4
KEA 8125C FR A5		160 A		125 A		125 A	55 kW	80 A	75 kW	6419410300534		A5	
KEA 8160C FR A5		160 A		160 A		160 A	90 kW	100 A	90 kW	6419410300541		A5	

* 400/415 V ** Does not apply to FR3/F300 2H models

SIDE OPERATED SWITCHES POLYCARBONATE ENCLOSED 16-40 A

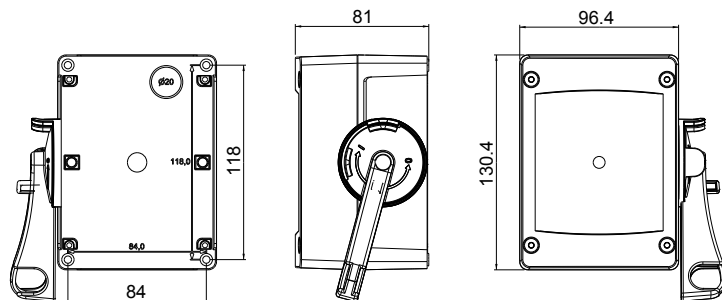


- Available in grey/black, yellow/red or fireman red
- Good resistance against UV and many chemicals
- Self-extinguishing material and excellent insulating properties
- Fully rated Load Break Switch breaking capacity of 8 x AC23 rating
- Cable entries 2 x M20/M25 as standard on the top and bottom and M20 on the base
- Mounting holes: 118,0 x 84,0
- Padlockable handle in 0-position and also available in 1-position
- Knock-out glands are easy to open
- Large cable terminals 1,5 - 16 mm²
- Auxiliary contact (normally open, NO) available ONLY when specifically orderer

Dimensional drawings: Dimensional drawings section of this catalogue

3D STEP files available:
www.katko.com/3d-models

Accessories available: www.katko.com/products/accessories/



Enclosure type	Width mm	Height mm	Depth mm	Material	IP rating
M2S	96,4	130,4	106	PC	66

Type		AC-21A	400 V		AC-22A	400 V		AC-23A	690 V	EAN code		Enclosure	Weight kg	
			415 V	690 V		415 V	690 V			Grey/black	Yellow/red			
Grey/black	Yellow/red	Ie / A		Ie / A		Ie / A		P / kW	Ie / A	P / kW	Grey/black	Yellow/red		
3-pole														
KE 316 M M2S 2XM25M	KE 316 MYR M2S 2XM25M	16 A	16 A	16 A	16 A	16 A	7.5 kW	16 A	11 kW	6419410304006	6419410304129	M2S	0.5	
KE 325 M M2S 2XM25M	KE 325 MYR M2S 2XM25M	25 A	25 A	25 A	25 A	25 A	11 kW	25 A	22 kW	6419410304013	6419410304136	M2S	0.5	
KE 340 M M2S 2XM25M	KE 340 MYR M2S 2XM25M	40 A	40 A	40 A	40 A	40 A	22 kW	25 A	22 kW	6419410304020	6419410304143	M2S	0.5	
4-pole														
KE 416 M M2S 2XM25M	KE 416 MYR M2S 2XM25M	16 A	16 A	16 A	16 A	16 A	7.5 kW	16 A	11 kW	6419410304037	6419410304150	M2S	0.5	
KE 425 M M2S 2XM25M	KE 425 MYR M2S 2XM25M	25 A	25 A	25 A	25 A	25 A	11 kW	25 A	22 kW	6419410304044	6419410304167	M2S	0.5	
KE 440 M M2S 2XM25M	KE 440 MYR M2S 2XM25M	40 A	40 A	40 A	40 A	40 A	22 kW	25 A	22 kW	6419410304051	6419410304174	M2S	0.5	
Fireman version														
3-pole														
KEF 316 M M2S		16 A	16 A	16 A	16 A	16 A	7.5 kW	16 A	11 kW	6419410304365		M2S	0.5	
KEF 325 M M2S		25 A	25 A	25 A	25 A	25 A	11 kW	25 A	22 kW	6419410304372		M2S	0.5	
KEF 340 M M2S		40 A	40 A	40 A	40 A	40 A	22 kW	25 A	22 kW	6419410304389		M2S	0.5	
4-pole														
KEF 416 M M2S		16 A	16 A	16 A	16 A	16 A	7.5 kW	16 A	11 kW	6419410304396		M2S	0.5	
KEF 425 M M2S		25 A	25 A	25 A	25 A	25 A	11 kW	25 A	22 kW	6419410304402		M2S	0.5	
KEF 440 M M2S		40 A	40 A	40 A	40 A	40 A	22 kW	25 A	22 kW	6419410304419		M2S	0.5	

SIDE OPERATED SWITCHES ALUMINIUM ENCLOSED 16-40 A

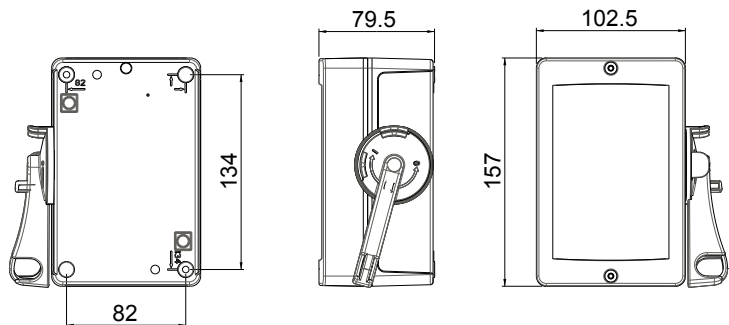


- Available in grey/black, yellow/red or fireman red
- Good resistance against UV and many chemicals
- Withstands high impact and has wide operating temperature
- Fully rated Load Break Switch breaking capacity of 8 x AC23 rating
- Cable entries: 2 x M25 as standard on the top and bottom
- Mounting holes: 134,0 x 82,0
- Padlockable handle in 0-position and also available in 1-position
- EMC shielding with EMC glands as an option
- Large cable terminals 1,5 - 16 mm²
- KE handle on right side, KEF handle on left side
- Auxiliary contact (normally open, NO) available ONLY when specifically ordered

Dimensional drawings: Dimensional drawings section of this catalogue

3D STEP files available:
www.katko.com/3d-models

Accessories available: www.katko.com/products/accessories/



Enclosure type	Width mm	Height mm	Depth mm	Material	IP rating
A2S	104	158,5	79,5	Aluminum	66

Type		AC-21A	400 V	AC-22A	400 V	AC-23A	AC-23A	AC-23A	EAN code	Enclosure	Weight kg
			415 V		415 V						
Grey/black	Yellow/red	le / A	le / A	le / A	P / kW	le / A	P / kW	Grey/black	Yellow/red		
3-pole											
KE 316 A A2S 2XM25M KST16M	KE 316 AYR A2S 2XM25M KST16M	16 A	16 A	16 A	7.5 kW	16 A	11 kW	6419410304488	6419410304600	A2S	0.9
KE 325 A A2S 2XM25M KST16M	KE 325 AYR A2S 2XM25M KST16M	25 A	25 A	25 A	11 kW	25 A	22 kW	6419410304495	6419410304617	A2S	0.9
KE 340 A A2S 2XM25M KST16M	KE 340 AYR A2S 2XM25M KST16M	40 A	40 A	40 A	22 kW	25 A	22 kW	6419410304501	6419410304624	A2S	0.9
4-pole											
KE 416 A A2S 2XM25M KST16M	KE 416 AYR A2S 2XM25M KST16M	16 A	16 A	16 A	7.5 kW	16 A	11 kW	6419410304518	6419410304631	A2S	0.9
KE 425 A A2S 2XM25M KST16M	KE 425 AYR A2S 2XM25M KST16M	25 A	25 A	25 A	11 kW	25 A	22 kW	6419410304525	6419410304648	A2S	0.9
KE 440 A A2S 2XM25M KST16M	KE 440 AYR A2S 2XM25M KST16M	40 A	40 A	40 A	22 kW	25 A	22 kW	6419410304532	6419410304655	A2S	0.9
Fireman version											
3-pole											
KEF 316 A A2S		16 A	16 A	16 A	7.5 kW	16 A	11 kW	6419410305003		A2S	0.9
KEF 325 A A2S		25 A	25 A	25 A	11 kW	25 A	22 kW	6419410304846		A2S	0.9
KEF 340 A A2S		40 A	40 A	40 A	22 kW	25 A	22 kW	6419410304853		A2S	0.9
4-pole											
KEF 416 A A2S		16 A	16 A	16 A	7.5 kW	16 A	11 kW	6419410304860		A2S	0.9
KEF 425 A A2S		25 A	25 A	25 A	11 kW	25 A	22 kW	6419410304877		A2S	0.9
KEF 440 A A2S		40 A	40 A	40 A	22 kW	25 A	22 kW	6419410304884		A2S	0.9

ATEX SWITCHES SAFETY SWITCHES / ISOLATORS 16-160 A



- Conforming to Directive 2014/34/EU, EN 60079-0 (2012), EN 60079-31 (2014)
- Suitable for use in Zone 22 (Category 3D)
- Frontal impact test of 7 J
- Available in aluminium and stainless steel
- Available in yellow/red upon request
- Padlockable
- Door interlock with defeat mechanism
- Separate ATEX-enclosures upon request
- ATEX cable glands included (For example, 2XM25PEX = 2 x M25 plastic EX cable glands; 4XM25MEX = 4 x M25 metal EX cable glands)



ATEX

Dimensional drawings: Dimensional drawings section of this catalogue

3D STEP files available:
www.katko.com/3d-models

Accessories available: www.katko.com/products/accessories/

Enclosure type	Width mm	Height mm	Depth mm	Material	IP rating
RA2	120	160	77	AlSi316	66
RA4	160	260	90	AlSi316	66
RA5	300	420	120	AlSi316	66
A2	104	158,5	79,5	Aluminum	66
A4	162	262	108	Aluminum	66

ATEX SWITCHES SAFETY SWITCHES / ISOLATORS 16-160 A

Type	AC-21A		AC-22A		AC-23A		AC-23A		EAN code	Enclosure	Weight kg
	400 V	415 V	400 V	415 V	400 V	415 V	690 V	P / kW			
	Ie / A		Ie / A		Ie / A	P / kW	Ie / A	P / kW			
Aluminium enclosures											
3-pole											
KEA 316 A2EX 2XM25PEX KST16MEX	16 A		16 A		16 A	7.5 kW	16 A	11 kW	6419410305508	A2	0.9
KEA 325 A2EX 2XM25PEX KST16MEX	25 A		25 A		25 A	11 kW	25 A	22 kW	6419410305512	A2	0.9
KEA 340 A2EX 2XM25PEX KST16MEX	40 A		40 A		40 A	22 kW	25 A	22 kW	6419410305522	A2	0.9
KEA 363 A4EX 2XM40PEX KST16MEX	80 A		63 A		40 A	22 kW	40 A	37 kW	6419410305560	A4	2.3
KEA 380 A4EX 2XM40PEX KST16MEX	100 A		80 A		63 A	30 kW	40 A	37 kW	6419410305577	A4	2.3
KEA 3100 A4EX 2XM40PEX KST16MEX	125 A		100 A		100 A	55 kW	63 A	55 kW	6419410315422	A4	3.8
KEA 3125 A4EX 2XM40PEX KST16MEX	160 A		125 A		125 A	55 kW	80 A	75 kW	6419410305584	A4	3.8
KEA 3160 A4EX 2XM40PEX KST16MEX	160 A		160 A		160 A	90 kW	100 A	90 kW	6419410305591	A4	3.8
4-pole											
KEA 416 A2EX 2XM25PEX KST16MEX	16 A		16 A		16 A	7.5 kW	16 A	11 kW	6419410305539	A2	1
KEA 425 A2EX 2XM25PEX KST16MEX	25 A		25 A		25 A	11 kW	25 A	22 kW	6419410305546	A2	1
KEA 440 A2EX 2XM25PEX KST16MEX	40 A		40 A		40 A	22 kW	25 A	22 kW	6419410305553	A2	1
KEA 463 A4EX 2XM40PEX KST16MEX	80 A		63 A		40 A	22 kW	40 A	37 kW	6419410305607	A4	2.4
KEA 480 A4EX 2XM40PEX KST16MEX	100 A		80 A		63 A	30 kW	40 A	37 kW	6419410305614	A4	2.4
KEA 4100 A4EX 2XM40PEX KST16MEX	125 A		100 A		100 A	55 kW	63 A	55 kW	6419410315439	A4	3.9
KEA 4125 A4EX 2XM40PEX KST16MEX	160 A		125 A		125 A	55 kW	80 A	75 kW	6419410305621	A4	3.9
KEA 4160 A4EX 2XM40PEX KST16MEX	160 A		160 A		160 A	90 kW	100 A	90 kW	6419410305638	A4	3.9
6-pole											
KEA 616 A4EX 4XM25PEX KST16MEX	16 A		16 A		16 A	7.5 kW	16 A	11 kW	6419410306208	A4	2.6
KEA 625 A4EX 4XM25PEX KST16MEX	25 A		25 A		25 A	11 kW	25 A	22 kW	6419410306215	A4	2.6
KEA 640 A4EX 4XM40PEX KST16MEX	40 A		40 A		40 A	22 kW	25 A	22 kW	6419410306222	A4	2.6
KEA 663 A4EX 4XM40PEX KST16MEX	80 A		63 A		40 A	22 kW	40 A	37 kW	6419410306239	A4	2.6
KEA 680 A4EX 4XM40PEX KST16MEX	100 A		80 A		63 A	30 kW	40 A	37 kW	6419410306246	A4	2.6
8-pole											
KEA 816 A4EX 4XM25PEX KST16MEX	16 A		16 A		16 A	7.5 kW	16 A	11 kW	6419410306253	A4	2.7
KEA 825 A4EX 4XM25PEX KST16MEX	25 A		25 A		25 A	11 kW	25 A	22 kW	6419410306260	A4	2.7
KEA 840 A4EX 4XM40PEX KST16MEX	40 A		40 A		40 A	22 kW	25 A	22 kW	6419410306277	A4	2.7
KEA 863 A4EX 4XM40PEX KST16MEX	80 A		63 A		40 A	22 kW	40 A	37 kW	6419410306284	A4	2.7
KEA 880 A4EX 4XM40PEX KST16MEX	100 A		80 A		63 A	30 kW	40 A	37 kW	6419410306291	A4	2.7
Stainless steel enclosures											
3-pole											
KER 316 RA2EX 2XM25MEX KST16MEX	16 A		16 A		16 A	7.5 kW	16 A	11 kW	6419410309797	RA2	1.3
KER 325 RA2EX 2XM25MEX KST16MEX	25 A		25 A		25 A	11 kW	25 A	22 kW	6419410309803	RA2	1.3
KER 340 RA2EX 2XM25MEX KST16MEX	40 A		40 A		40 A	22 kW	25 A	22 kW	6419410309810	RA2	1.3
KER 363 RA4EX 2XM32MEX KST16MEX	80 A		63 A		40 A	22 kW	40 A	37 kW	6419410309858	RA4	2.5
KER 380 RA4EX 2XM32MEX KST16MEX	100 A		80 A		63 A	30 kW	40 A	37 kW	6419410309865	RA4	2.5
KER 3100 RA5EX 2XM40MEX KST16MEX	125 A		100 A		100 A	55 kW	63 A	55 kW	6419410315446	RA5	7.2
KER 3125 RA5EX 2XM40MEX KST16MEX	160 A		125 A		125 A	55 kW	80 A	75 kW	6419410309872	RA5	7.2
KER 3160 RA5EX 2XM40MEX KST16MEX	160 A		160 A		160 A	90 kW	100 A	90 kW	6419410309889	RA5	7.2
4-pole											
KER 416 RA2EX 2XM25MEX KST16MEX	16 A		16 A		16 A	7.5 kW	16 A	11 kW	6419410309827	RA2	1.4
KER 425 RA2EX 2XM25MEX KST16MEX	25 A		25 A		25 A	11 kW	25 A	22 kW	6419410309834	RA2	1.4
KER 440 RA2EX 2XM25MEX KST16MEX	40 A		40 A		40 A	22 kW	25 A	22 kW	6419410309841	RA2	1.4
KER 463 RA4EX 2XM32MEX KST16MEX	80 A		63 A		40 A	22 kW	40 A	37 kW	6419410309896	RA4	2.6
KER 480 RA4EX 2XM32MEX KST16MEX	100 A		80 A		63 A	30 kW	40 A	37 kW	6419410309902	RA4	2.6
KER 4100 RA5EX 2XM40MEX KST16MEX	125 A		100 A		100 A	55 kW	63 A	55 kW	6419410315453	RA5	7.3
KER 4125 RA5EX 2XM40MEX KST16MEX	160 A		125 A		125 A	55 kW	80 A	75 kW	6419410305768	RA5	7.3
KER 4160 RA5EX 2XM40MEX KST16MEX	160 A		160 A		160 A	90 kW	100 A	90 kW	6419410305775	RA5	7.3
6-pole											
KER 616 RA4EX 4XM25MEX KST16MEX	16 A		16 A		16 A	7.5 kW	16 A	11 kW	6419410306406	RA4	2.6
KER 625 RA4EX 4XM25MEX KST16MEX	25 A		25 A		25 A	11 kW	25 A	22 kW	6419410306413	RA4	2.6
KER 640 RA4EX 4XM25MEX KST16MEX	40 A		40 A		40 A	22 kW	25 A	22 kW	6419410306420	RA4	2.6
KER 663 RA4EX 4XM32MEX KST16MEX	80 A		63 A		40 A	22 kW	40 A	37 kW	6419410306437	RA4	2.7
KER 680 RA4EX 4XM32MEX KST16MEX	100 A		80 A		63 A	30 kW	40 A	37 kW	6419410306444	RA4	2.7
KER 6100 RA5EX 4XM40MEX KST16MEX	125 A		100 A		100 A	55 kW	63 A	55 kW	6419410315460	RA5	7.6
KER 6125 RA5EX 4XM40MEX KST16MEX	160 A		125 A		125 A	55 kW	80 A	75 kW	6419410306505	RA5	7.6
KER 6160 RA5EX 4XM40MEX KST16MEX	160 A		160 A		160 A	90 kW	100 A	90 kW	6419410306512	RA5	7.6
8-pole											
KER 816 RA4EX 4XM25MEX KST16MEX	16 A		16 A		16 A	7.5 kW	16 A	11 kW	6419410306451	RA4	2.7
KER 825 RA4EX 4XM25MEX KST16MEX	25 A		25 A		25 A	11 kW	25 A	22 kW	6419410306468	RA4	2.7
KER 840 RA4EX 4XM25MEX KST16MEX	40 A		40 A		40 A	22 kW	25 A	22 kW	6419410306475	RA4	2.8
KER 863 RA4EX 4XM32MEX KST16MEX	80 A		63 A		40 A	22 kW	40 A	37 kW	6419410306482	RA4	2.8
KER 880 RA4EX 4XM32MEX KST16MEX	100 A		80 A		63 A	30 kW	40 A	37 kW	6419410306499	RA4	2.8
KER 8100 RA5EX 4XM40MEX KST16MEX	125 A		100 A		100 A	55 kW	63 A	55 kW	6419410315477	RA5	7.8
KER 8125 RA5EX 4XM40MEX KST16MEX	160 A		125 A		125 A	55 kW	80 A	75 kW	6419410306529	RA5	7.8
KER 8160 RA5EX 4XM40MEX KST16MEX	160 A		160 A		160 A	90 kW	100 A	90 kW	6419410306536	RA5	7.8

CHANGE-OVER SWITCHES 16 - 160 A



- Polycarbonate (TKM, KEM) or aluminium (KEA) enclosures
- TKM-models with cam switch 16 to 40 A
- KEM and KEA models consist of two KU or VKA switches connected by a change-over kit and range from 16 to 160 A
- Self-extinguishing material
- Excellent insulating properties
- Wide operating temperature range
- Good resistance against many chemicals
- Good UV resistance
- Padlockable
- Door interlock with defeat mechanism
- IEC 60947-3

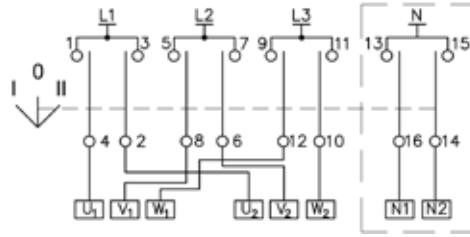
Dimensional drawings: Dimensional drawings section of this catalogue

3D STEP files available:
www.katko.com/3d-models

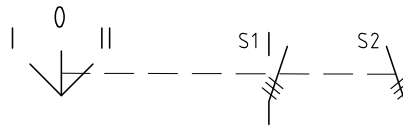
Accessories available: www.katko.com/products/accessories/

Enclosure type	Width mm	Height mm	Depth mm	Material	IP rating
A4	162	262	108	Aluminum	66
M2	96,4	130,4	106	PC	66
M3	144	190	96	PC	66
M4	180	255	100	PC	66
MF11	280	380	130	PC	65

CHANGE-OVER SWITCHES 16 - 160 A



TK WW circuit diagram



KEM/KEA WW circuit diagram

Type		AC-21A	400 V	AC-22A	400 V	AC-23A	415 V ₁	AC-23A	690 V	EAN code		Switch	Enclosure	Weight kg
			415 V		690 V ₂					415 V ₁	690 V ₂			
Grey/black	Yellow/red	Ie / A		Ie / A		Ie / A	P / kW	Ie / A	P / kW	Grey/black	Yellow/red			
TKM (Polycarbonate)														
2-pole														
TKM 225VV M2 3XM25P	TKM 225VYR M2 3XM25P	25 A*		25 A*		25 A*	11 kW	-	-	6419410346952	6419410346969	TK 225 VV	M2	0.5
TKM 240VV M2 3XM25P	TKM 240VYR M2 3XM25P	40 A*		40 A*		40 A*	18.5 kW	-	-	6419410346976	6419410346983	TK 240 VV	M2	0.5
3-pole														
TKM 316VV M2 3XM25P	TKM 316VYR M2 3XM25P	16 A*		16 A*		16 A*	7.5 kW	-	-	6419410345757	6419410345764	TK 316 VV	M2	0.5
TKM 325VV M2 3XM25P	TKM 325VYR M2 3XM25P	25 A*		25 A*		25 A*	11 kW	-	-	6419410345733	6419410345740	TK 325 VV	M2	0.5
TKM 340VV M2 3XM25P	TKM 340VYR M2 3XM25P	40 A*		40 A*		40 A*	18.5 kW	-	-	6419410345771	6419410345788	TK 340 VV	M2	0.5
4-pole														
TKM 416VV M2 3XM25P	TKM 416VYR M2 3XM25P	16 A*		16 A*		16 A*	7.5 kW	-	-	6419410347058	6419410347065	TK 416 VV	M2	0.5
TKM 425VV M2 3XM25P	TKM 425VYR M2 3XM25P	25 A*		25 A*		25 A*	11 kW	-	-	6419410345948	6419410347072	TK 425 VV	M2	0.5
TKM 440VV M2 3XM25P	TKM 440VYR M2 3XM25P	40 A*		40 A*		40 A*	18.5 kW	-	-	6419410347089	6419410347096	TK 440 VV	M2	0.5
KEM (Polycarbonate)														
3-pole														
KEM 316VV M3	KEM 316VYR M3	25 A		16 A		16 A	7.5 kW	16 A	11 kW	6419410320624	6419410320723	2xKU 316N	M3	0.9
KEM 325VV M3	KEM 325VYR M3	40 A		25 A		25 A	11 kW	25 A	22 kW	6419410320631	6419410320730	2xKU 325N	M3	0.9
KEM 340VV M3	KEM 340VYR M3	63 A		40 A		40 A	22 kW	32 A	30 kW	6419410320648	6419410320747	2xKU 340N	M3	0.9
KEM 363VV M3	KEM 363VYR M3	80 A		63 A		40 A	22 kW	40 A	37 kW	6419410320655	6419410320754	2xKU 363N	M3	0.9
KEM 380VV M3	KEM 380VYR M3	100 A		80 A		63 A	30 kW	40 A	37 kW	6419410320662	6419410320761	2xKU 380N	M3	0.9
KEM 3100CVV MF11	KEM 3100CVV YR MF11	100 A		100 A ₁ / 80 A ₂		63 A	30 kW	40 A	37 kW	6419410320679	6419410320778	2xKU 3100N	MF11	2.1
KEM 3125CVV MF11	KEM 3125CVV YR MF11	125 A		125 A ₁ / 80 A ₂		63 A	30 kW	40 A	37 kW	6419410320686	6419410320785	2xKU 3125N	MF11	2.1
KEM 3125CO MF11	KEM 3125CO YR MF11	160 A		125 A		125 A	55 kW	80 A	75 kW	6419410320402	6419410320457	2xKU 3125N	MF11	3.8
KEM 3160CO MF11	KEM 3160CO YR MF11	160 A		160 A		160 A	90 kW	100 A	90 kW	6419410320501	6419410320556	2xKU 3160	MF11	3.8
4-pole														
KEM 416VV M3	KEM 416VYR M3	25 A		16 A		16 A	7.5 kW	16 A	11 kW	6419410320853	6419410320921	2xKU 416N	M3	1
KEM 425VV M3	KEM 425VYR M3	40 A		25 A		25 A	11 kW	25 A	22 kW	6419410320860	6419410320938	2xKU 425N	M3	1
KEM 440VV M3	KEM 440VYR M3	63 A		40 A		40 A	22 kW	32 A	30 kW	6419410320877	6419410320945	2xKU 440N	M3	1
KEM 463VV M3	KEM 463VYR M3	80 A		63 A		40 A	22 kW	40 A	37 kW	6419410320884	6419410320952	2xKU 463N	M3	1
KEM 480VV M3	KEM 480VYR M3	100 A		80 A		63 A	30 kW	40 A	37 kW	6419410320891	6419410320969	2xKU 480N	M3	1
KEM 4100CVV M4	KEM 4100CVV YR MF11	100 A		100 A ₁ / 80 A ₂		63 A	30 kW	40 A	37 kW	6419410320907	6419410320976	2xKU 4100N	M4	2.2
KEM 4125CVV MF11	KEM 4125CVV YR MF11	125 A		125 A ₁ / 80 A ₂		63 A	30 kW	40 A	37 kW	6419410320914	6419410320983	2xKU 4125N	MF11	2.2
KEM 4125CO MF11	KEM 4125CO YR MF11	160 A		125 A		125 A	55 kW	80 A	75 kW	6419410320426	6419410320471	2xKU 4125	MF11	4
KEM 4160CO MF11	KEM 4160CO YR MF11	160 A		160 A		160 A	90 kW	100 A	90 kW	6419410320525	6419410320570	2xKU 4160	MF11	4
KEA (Aluminium)														
3-pole														
KEA 316VV A4	KEA 316VYR A4	25 A		16 A		16 A	7.5 kW	16 A	11 kW	6419410329863	6419410329931	2xKU 316N	A4	2.3
KEA 325VV A4	KEA 325VYR A4	40 A		25 A		25 A	11 kW	25 A	22 kW	6419410329870	6419410329948	2xKU 325N	A4	2.3
KEA 340VV A4	KEA 340VYR A4	63 A		40 A		40 A	22 kW	32 A	30 kW	6419410329887	6419410329955	2xKU 340N	A4	2.3
KEA 363VV A4	KEA 363VYR A4	80 A		63 A		40 A	22 kW	40 A	37 kW	6419410329894	6419410329962	2xKU 363N	A4	2.3
KEA 380VV A4	KEA 380VYR A4	100 A		80 A		63 A	30 kW	40 A	37 kW	6419410329900	6419410329979	2xKU 380N	A4	2.3
4-pole														
KEA 416VV A4	KEA 416VYR A4	25 A		16 A		16 A	7.5 kW	16 A	11 kW	6419410332245	6419410332313	2xKU 416N	A4	2.4
KEA 425VV A4	KEA 425VYR A4	40 A		25 A		25 A	11 kW	25 A	22 kW	6419410332252	6419410332320	2xKU 425N	A4	2.4
KEA 440VV A4	KEA 440VYR A4	63 A		40 A		40 A	22 kW	32 A	30 kW	6419410332269	6419410332337	2xKU 440N	A4	2.4
KEA 463VV A4	KEA 463VYR A4	80 A		63 A		40 A	22 kW	40 A	37 kW	6419410332276	6419410332344	2xKU 463N	A4	2.4
KEA 480VV A4	KEA 480VYR A4	100 A		80 A		63 A	30 kW	40 A	37 kW	6419410332283	6419410332351	2xKU 480N	A4	2.4

* 400/415 V

BYPASS SWITCH FOR FREQUENCY INVERTER 16-63 A

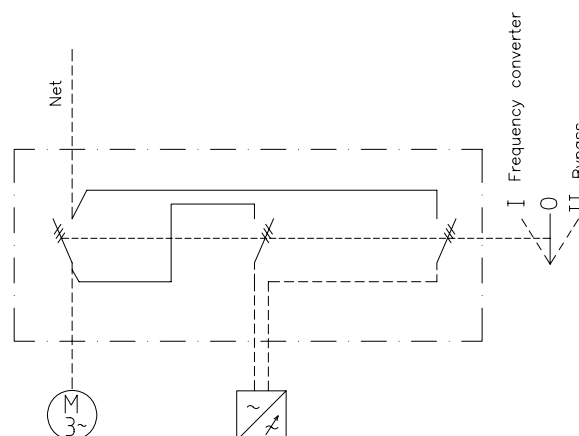


- R.M.S value 50kA
- Padlockable
- Door interlock with defeat mechanism
- Tested according to IEC 60 947-3
- CB certificates
- Circuit diagram:

Dimensional drawings: Dimensional drawings section of this catalogue

3D STEP files available:
www.katko.com/3d-models

Accessories available: www.katko.com/products/accessories/



Enclosure type	Width mm	Height mm	Depth mm	Material	IP rating
A4	162	262	108	Aluminum	66
MF11	280	380	130	PC	65
T5	300	400	120	Sheet steel	65

Type	AC-21A		AC-22A		AC-23A		AC-23A		EAN code	Enclosure	Weight kg
	400 V	415 V	400 V	415 V	400 V	415 V	690 V				
	le / A	le / A	le / A	le / A	P / kW	le / A	P / kW				
Polycarbonate enclosures											
KUM 616 316VV102 2X1V MF11 4XM25P M16P	40 A		25 A	20 A	7.5 kW	20 A	15 kW	6419410301661	MF11	3.6	
KUM 625 325VV102 2X1V MF11 4XM25P M16P	63 A		40 A	25 A	11 kW	25 A	22 kW	6419410302057	MF11	3.6	
KUM 640 340VV102 2X1V MF11 4XM32P M16P	90 A		70 A	50 A	22 kW	32 A	30 kW	6419410302453	MF11	3.6	
KUM 663 363VV102 2X1V MF11 4XM40P M16P	100 A		80 A	63 A	30 kW	40 A	37 kW	6419410302903	MF11	3.6	
Sheet steel enclosures											
KUT 616 316VV102 2X1V T5EMC 4XM25MEMC M16M	40 A		25 A	20 A	7.5 kW	20 A	15 kW	6419410311509	T5	8.5	
KUT 625 325VV102 2X1V T5EMC 4XM25MEMC M16M	63 A		40 A	25 A	11 kW	25 A	22 kW	6419410311554	T5	8.5	
KUT 640 340VV102 2X1V T5EMC 4XM32MEMC M16M	90 A		70 A	50 A	22 kW	32 A	30 kW	6419410311608	T5	8.5	
KUT 663 363VV102 2X1V T5EMC 4XM40MEMC M16M	100 A		80 A	63 A	30 kW	40 A	37 kW	6419410311653	T5	8.5	
Aluminium enclosures											
TKA 616 316SSV A4EMC 4XM25MEMC M16M	16 A		16 A	16 A	7.5 kW	-	-	6419410311684	A4	3.1	

MOTOR CONTROL SWITCHES 16-40 A



- Cam switches
- Polycarbonate enclosure
- Rated thermal current I_{the} 16 - 40 A
- Padlockable
- Door interlock with defeat mechanism
- Terminals: Cu 1,5 - 16 mm²
- Max. terminal torque: 1,8 Nm
- IEC 60 947-3
- TK= star delta
- SK= reverse switch

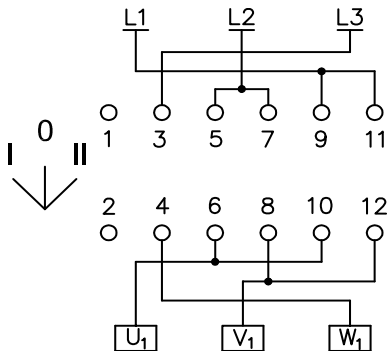
Dimensional drawings: Dimensional drawings section of this catalogue

3D STEP files available:
www.katko.com/3d-models

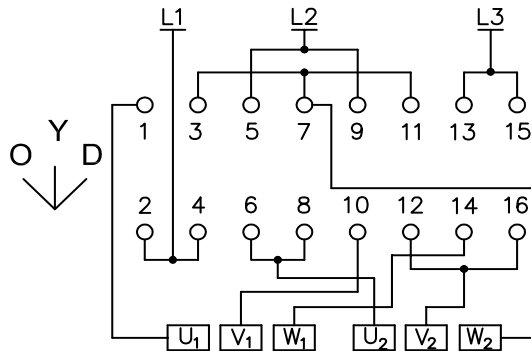
Accessories available: www.katko.com/products/accessories/

Connection diagrams:

TKM 325U SK



TKM 325U TK



Enclosure type	Width mm	Height mm	Depth mm	Material	IP rating
M2	96,4	130,4	106	PC	66

Type		AC-21A		AC-22A		AC-23A		EAN code		Enclosure	Weight kg
		400 V	415 V	400 V	415 V	400 V	415 V				
Grey/black	Yellow/red	Ie / A		Ie / A		Ie / A		Grey/black	Yellow/red		
Star-Delta											
TKM 316TK M2 3XM25P	TKM 316TK YR M2 3XM25P	16 A		16 A		16 A	7.5 kW	6419410344828	6419410344842	M2	0.5
TKM 325TK M2 3XM25P	TKM 325TK YR M2 3XM25P	25 A		25 A		25 A	11 kW	6419410345023	6419410345030	M2	0.5
TKM 340TK M2 3XM25P	TKM 340TK YR M2 3XM25P	40 A		40 A		40 A	18.5 kW	6419410345627	6419410345641	M2	0.5
Reverse											
TKM 316SK M2 3XM25P	TKM 316SK YR M2 3XM25P	16 A		16 A		16 A	7.5 kW	6419410344729	6419410344743	M2	0.5
TKM 325SK M2 3XM25P	TKM 325SK YR M2 3XM25P	25 A		25 A		25 A	11 kW	6419410345221	6419410345238	M2	0.5
TKM 340SK M2 3XM25P	TKM 340SK YR M2 3XM25P	40 A		40 A		40 A	18.5 kW	6419410345962	6419410345986	M2	0.5

UL98 LISTED ENCLOSED SWITCHES POLYCARBONATE, STAINLESS STEEL, SHEET STEEL 60-100 A

- Type 4X enclosure: polycarbonate and stainless steel
- Type 4 enclosure: sheet steel
- Padlockable
- General use rating 60 A to 100 A /600VAC



Dimensional drawings: Dimensional drawings section of this catalogue (please note, UL listed enclosed products are delivered in solid (no cable entries) enclosures with the exception of EMC)

3D STEP files available:
www.katko.com/3d-models

Accessories available: www.katko.com/products/ul-listed/ul-listed-accessories/

Type		Ampere rating (600 V)	120V	240V	480V	600V	EAN-Code		Wire size Cu only	Enclosure	No of poles	Weight kg
							Grey/black	Yellow/red				
Grey/black	Yellow/red						Grey/black	Yellow/red				
Polycarbonate												
KEM 360UL98 MF10	KEM 360UL98 YR MF10	60 A	1.5 HP	20 HP	40 HP	60 HP	6419410315606	6419410315729	8-1/0 AWG	MF10	3	2.4
KEM 460UL98 MF10	KEM 460UL98 YR MF10	100 A	2 HP	25 HP	50 HP	75 HP	6419410315613	6419410315736	8-1/0 AWG	MF10	4	2.5
KEM 3100UL98 MF11UL	KEM 3100UL98 YR MF11UL	60 A	1.5 HP	20 HP	40 HP	60 HP	6419410315620	6419410315743	8-1/0 AWG	MF11UL	3	3.3
KEM 4100UL98 MF11UL	KEM 4100UL98 YR MF11UL	100 A	2 HP	25 HP	50 HP	75 HP	6419410315637	6419410315750	8-1/0 AWG	MF11UL	4	3.4
Stainless Steel												
KER 360UL98 R4B	KER 360UL98 YR R4B	60 A	1.5 HP	20 HP	40 HP	60 HP	6419410315682	6419410315804	8-1/0 AWG	R4B	3	3.3
KER 460UL98 R4B	KER 460UL98 YR R4B	100 A	2 HP	25 HP	50 HP	75 HP	6419410315699	6419410315811	8-1/0 AWG	R4B	4	3.3
KER 3100UL98 R5	KER 3100UL98 YR R5	60 A	1.5 HP	20 HP	40 HP	60 HP	6419410315705	6419410315828	8-1/0 AWG	R5	3	6.9
KER 4100UL98 R5	KER 4100UL98 YR R5	100 A	2 HP	25 HP	50 HP	75 HP	6419410315712	6419410315835	8-1/0 AWG	R5	4	7
Sheet Steel												
KET 360UL98 T4	KET 360UL98 YR T4	60 A	1.5 HP	20 HP	40 HP	60 HP	6419410315644	6419410315767	8-1/0 AWG	T4	3	4.3
KET 460UL98 T4	KET 460UL98 YR T4	100 A	2 HP	25 HP	50 HP	75 HP	6419410315651	6419410315774	8-1/0 AWG	T4	4	4.4
KET 3100UL98 T5	KET 3100UL98 YR T5	60 A	1.5 HP	20 HP	40 HP	60 HP	6419410315668	6419410315781	8-1/0 AWG	T5	3	9.7
KET 4100UL98 T5	KET 4100UL98 YR T5	100 A	2 HP	25 HP	50 HP	75 HP	6419410315675	6419410315798	8-1/0 AWG	T5	4	9.8

UL 60947-4-1A LISTED POLYCARBONATE ENCLOSED MANUAL MOTOR CONTROLLERS WITH DISCONNECTOR MEANS 16-150 A



- Type 4X enclosure
- Across the line, motor starting up to 75HP/600V
- General use rating 25A to 150A/600V
- Retrofit snap on auxiliary contacts
- Padlockable



Dimensional drawings: Dimensional drawings section of this catalogue (please note, UL listed enclosed products are delivered in solid (no cable entries) enclosures with the exception of EMC)

3D STEP files available:
www.katko.com/3d-models

Accessories available: www.katko.com/products/ul-listed/ul-listed-accessories/

Type		Ampere rating (600 V)	208V	415V	480V	600V	EAN-Code		Wire size Cu only	Enclosure	Weight kg
							Grey/black	Yellow/red			
3-poles											
KEM 316UL M2	KEM 316UL YR M2	16 A	3HP	7.5HP	10HP	7.5HP	6419410351703	6419410351772	14-8AWG	M2	0.5
KEM 325UL M2	KEM 325UL YR M2	25 A	5HP	10HP	15HP	10HP	6419410351246	6419410351352	14-8AWG	M2	0.5
KEM 340UL M3	KEM 340UL YR M3	40 A	7.5HP	15HP	20HP	15HP	6419410351277	6419410351383	14-8AWG	M3	0.7
KEM 360UL M3	KEM 360UL YR M3	60 A	10HP	20HP	25HP	25HP	6419410351307	6419410351413	12-4AWG	M3	0.7
KEM 380CUL M3	KEM 380CUL YR M3	80 A	10HP	25HP	30HP	30HP	6419410351840	6419410351925	12-4AWG	M3	0.7
KEM 380UL M3	KEM 380UL YR M3	80 A	15HP	25HP	30HP	40HP	6419410351338	6419410351444	8-1/0AWG	M3	2.2
KEM 3100L MF10	KEM 3100L YR MF10	100 A	15HP	30HP	40HP	50HP	6419410344163	6419410351154	8-1/0AWG	MF10	2.4
KEM 3125L MF10	KEM 3125L YR MF10	125 A	20HP	40HP	50HP	60HP	6419410344194	6419410351185	8-1/0AWG	MF10	2.4
KEM 3150L MF11UL	KEM 3150L YR MF11UL	150 A	25HP	50HP	60HP	75HP	6419410344224	6419410351215	8-1/0AWG	MF11UL	3.3
4-poles											
KEM 416UL M2	KEM 416UL YR M2	16 A	3HP	7.5HP	10HP	7.5HP	6419410351710	6419410351789	14-8AWG	M2	0.5
KEM 425UL M2	KEM 425UL YR M2	25 A	5HP	10HP	15HP	10HP	6419410351253	6419410351369	14-8AWG	M2	0.5
KEM 440UL M3	KEM 440UL YR M3	40 A	7.5HP	15HP	20HP	15HP	6419410351284	6419410351390	14-8AWG	M3	0.7
KEM 460UL M3	KEM 460UL YR M3	60 A	10HP	20HP	25HP	25HP	6419410351314	6419410351420	12-4AWG	M3	0.7
KEM 480CUL M3	KEM 480CUL YR M3	80 A	10HP	25HP	30HP	30HP	6419410351857	6419410351932	12-4AWG	M3	0.7
KEM 480UL M3	KEM 480UL YR M3	80 A	15HP	25HP	30HP	40HP	6419410351345	6419410351451	8-1/0AWG	M3	2.3
KEM 4100L MF10	KEM 4100L YR MF10	100 A	15HP	30HP	40HP	50HP	6419410344170	6419410351161	8-1/0AWG	MF10	2.6
KEM 4125L MF10	KEM 4125L YR MF10	125 A	20HP	40HP	50HP	60HP	6419410344200	6419410351192	8-1/0AWG	MF10	2.6
KEM 4150L MF11UL	KEM 4150L YR MF11UL	150 A	25HP	50HP	60HP	75HP	6419410344231	6419410351222	8-1/0AWG	MF11UL	3.4
6-poles											
KEM 616UL M3	KEM 616UL YR M3	16 A	3HP	7.5HP	10HP	7.5HP	6419410351727	6419410351796	14-8AWG	M3	0.9
KEM 625UL M3	KEM 625UL YR M3	25 A	5HP	10HP	15HP	10HP	6419410351260	6419410351376	14-8AWG	M3	0.9
KEM 640UL M3	KEM 640UL YR M3	40 A	7.5HP	15HP	20HP	15HP	6419410351291	6419410351406	14-8AWG	M3	0.9
KEM 660UL M3	KEM 660UL YR M3	60 A	10HP	20HP	25HP	25HP	6419410351321	6419410351437	12-4AWG	M3	0.9
KEM 680CUL M3	KEM 680CUL YR M3	80 A	10HP	25HP	30HP	30HP	6419410351666	6419410351673	12-4AWG	M3	0.9
KEM 680L MF11UL	KEM 680L YR MF11UL	80 A	15HP	25HP	30HP	40HP	6419410344156	6419410351147	8-1/0AWG	MF11UL	3.8
KEM 6100L MF11UL	KEM 6100L YR MF11UL	100 A	15HP	30HP	40HP	50HP	6419410344187	6419410351178	8-1/0AWG	MF11UL	3.8
KEM 6125L MF11UL	KEM 6125L YR MF11UL	125 A	20HP	40HP	50HP	60HP	6419410344217	6419410351208	8-1/0AWG	MF11UL	3.8
KEM 6150L MF11UL	KEM 6150L YR MF11UL	150 A	25HP	50HP	60HP	75HP	6419410344248	6419410351239	8-1/0AWG	MF11UL	3.8

UL 60947-4-1A LISTED MANUAL MOTOR CONTROLLERS SHEET STEEL ENCLOSED 16-150 A



- Type 4 enclosure
- Across the line, motor starting- up to 75HP/600V
- General use rating from 16A to 150A/600V
- Retrofit snap on auxiliary contacts
- Padlockable



Dimensional drawings: Dimensional drawings section of this catalogue (please note, UL listed enclosed products are delivered in solid (no cable entries) enclosures with the exception of EMC)

3D STEP files available:
www.katko.com/3d-models

Accessories available: www.katko.com/products/ul-listed/ul-listed-accessories/

Type		Ampere rating (600 V)	208 V	415 V	480 V	600 V	EAN-Code		Wire size	Enclosure	Weight kg
							Grey/Black	Yellow/Red	Cu only		
Grey/Black	Yellow/Red						Grey/Black	Yellow/Red			
3-poles											
KET 316UL T3	KET 316UL YR T3	16 A	3HP	7.5HP	10HP	7.5HP	6419410348765	6419410349007	14-8AWG	T3	2.1
KET 325UL T3	KET 325UL YR T3	25 A	5HP	10HP	15HP	10HP	6419410348796	6419410349038	14-8AWG	T3	2.1
KET 340UL T3	KET 340UL YR T3	40 A	7.5HP	15HP	20HP	15HP	6419410348826	6419410349069	14-8AWG	T3	2.1
KET 360UL T4	KET 360UL YR T4	60 A	10HP	20HP	25HP	25HP	6419410348857	6419410349090	12-4AWG	T4	4.0
KET 380CUL T4	KET 380CUL YR T4	80 A	10HP	25HP	30HP	30HP	6419410351888	6419410351963	12-4AWG	T4	4.0
KET 380UL T4	KET 380UL YR T4	80 A	15HP	25HP	30HP	40HP	6419410348888	6419410349120	8-1/0AWG	T4	4.3
KET 3100UL T4	KET 3100UL YR T4	100 A	15HP	30HP	40HP	50HP	6419410348918	6419410349151	8-1/0AWG	T4	4.3
KET 3125UL T4	KET 3125UL YR T4	125 A	20HP	40HP	50HP	60HP	6419410348949	6419410349182	8-1/0AWG	T4	4.3
KET 3150UL T5	KET 3150UL YR T5	150 A	25HP	50HP	60HP	75HP	6419410348970	6419410349212	8-1/0AWG	T5	9.7
4-poles											
KET 416UL T3	KET 416UL YR T3	16 A	3HP	7.5HP	10HP	7.5HP	6419410348772	6419410349014	14-8AWG	T3	2.2
KET 425UL T3	KET 425UL YR T3	25 A	5HP	10HP	15HP	10HP	6419410348802	6419410349045	14-8AWG	T3	2.2
KET 440UL T3	KET 440UL YR T3	40 A	7.5HP	15HP	20HP	15HP	6419410348833	6419410349076	14-8AWG	T3	2.2
KET 460UL T4	KET 460UL YR T4	60 A	10HP	20HP	25HP	25HP	6419410348864	6419410349106	12-4AWG	T4	4.1
KET 480CUL T4	KET 480CUL YR T4	80 A	10HP	25HP	30HP	30HP	6419410351895	6419410351970	12-4AWG	T4	4.1
KET 480UL T4	KET 480UL YR T4	80 A	15HP	25HP	30HP	40HP	6419410348895	6419410349137	8-1/0AWG	T4	4.3
KET 4100UL T4	KET 4100UL YR T4	100 A	15HP	30HP	40HP	50HP	6419410348925	6419410349168	8-1/0AWG	T4	4.3
KET 4125UL T4	KET 4125UL YR T4	125 A	20HP	40HP	50HP	60HP	6419410348956	6419410349199	8-1/0AWG	T4	4.3
KET 4150UL T5	KET 4150UL YR T5	150 A	25HP	50HP	60HP	75HP	6419410348987	6419410349229	8-1/0AWG	T5	9.9
6-poles											
KET 616UL T3	KET 616UL YR T3	16 A	3HP	7.5HP	10HP	7.5HP	6419410348789	6419410349021	14-8AWG	T3	2.4
KET 625UL T3	KET 625UL YR T3	25 A	5HP	10HP	15HP	10HP	6419410348819	6419410349052	14-8AWG	T3	2.4
KET 640UL T3	KET 640UL YR T3	40 A	7.5HP	15HP	20HP	15HP	6419410348840	6419410349083	14-8AWG	T3	2.4
KET 660UL T4	KET 660UL YR T4	60 A	10HP	20HP	25HP	25HP	6419410348871	6419410349113	12-4AWG	T4	4.3
KET 680CUL T4	KET 680CUL YR T4	80 A	10HP	25HP	30HP	30HP	6419410349243	6419410349250	12-4AWG	T4	4.1
KET 680UL T5	KET 680UL YR T5	80 A	15HP	25HP	30HP	40HP	6419410348901	6419410349144	8-1/0AWG	T5	8.6
KET 6100UL T5	KET 6100UL YR T5	100 A	15HP	30HP	40HP	50HP	6419410348932	6419410349175	8-1/0AWG	T5	8.6
KET 6125UL T5	KET 6125UL YR T5	125 A	20HP	40HP	50HP	60HP	6419410348963	6419410349205	8-1/0AWG	T5	8.6
KET 6150UL T5	KET 6150UL YR T5	150 A	25HP	50HP	60HP	75HP	6419410348994	6419410349236	8-1/0AWG	T5	8.6

UL 60947-4-1A LISTED MANUAL MOTOR CONTROLLERS ALUMINIUM ENCLOSED 16-125 A



- Type 4 enclosure
- Across the line, motor starting- up to 75HP/600V
- General use rating from 16A to 125A/600V
- Retrofit snap on auxiliary contacts
- Padlockable



Dimensional drawings: Dimensional drawings section of this catalogue (please note, UL listed enclosed products are delivered in solid (no cable entries) enclosures with the exception of EMC)

3D STEP files available:
www.katko.com/3d-models

Accessories available: www.katko.com/products/ul-listed/ul-listed-accessories/

Type		Ampere rating (600 V)	208 V	415 V	480 V	600 V	EAN-Code		Wire size Cu only	Enclosure	Weight kg
							Grey/Black	Yellow/Red			
3-poles											
KEA 316UL A2	KEA 316UL YR A2	16 A	3HP	7.5HP	10HP	7.5HP	6419410348406	6419410348581	14-8AWG	A2	0.8
KEA 325UL A2	KEA 325UL YR A2	25 A	5HP	10HP	15HP	10HP	6419410348437	6419410348611	14-8AWG	A2	0.8
KEA 340UL A2	KEA 340UL YR A2	40 A	7.5HP	15HP	20HP	15HP	6419410348468	6419410348642	14-8AWG	A2	0.8
KEA 360UL A4	KEA 360UL YR A4	60 A	10HP	20HP	25HP	25HP	6419410348499	6419410348673	12-4AWG	A4	2
KEA 380CUL A4	KEA 380CUL YR A4	80 A	10HP	25HP	30HP	30HP	6419410351864	6419410351949	12-4AWG	A4	2
KEA 380UL A4	KEA 380UL YR A4	80 A	15HP	25HP	30HP	40HP	6419410348529	6419410348703	8-1/0AWG	A4	2.3
KEA 3100UL A4	KEA 3100UL YR A4	100 A	15HP	30HP	40HP	50HP	6419410348543	6419410348727	8-1/0AWG	A4	2.3
KEA 3125UL A4	KEA 3125UL YR A4	125 A	20HP	40HP	50HP	60HP	6419410348567	6419410348741	8-1/0AWG	A4	2.3
4-poles											
KEA 416UL A2	KEA 416UL YR A2	16 A	3HP	7.5HP	10HP	7.5HP	6419410348413	6419410348598	14-8AWG	A2	0.9
KEA 425UL A2	KEA 425UL YR A2	25 A	5HP	10HP	15HP	10HP	6419410348444	6419410348628	14-8AWG	A2	0.9
KEA 440UL A2	KEA 440UL YR A2	40 A	7.5HP	15HP	20HP	15HP	6419410348475	6419410348659	14-8AWG	A2	0.9
KEA 460UL A4	KEA 460UL YR A4	60 A	10HP	20HP	25HP	25HP	6419410348505	6419410348680	12-4AWG	A4	2.1
KEA 480CUL A4	KEA 480CUL YR A4	80 A	10HP	25HP	30HP	30HP	6419410351871	6419410351956	12-4AWG	A4	2
KEA 480UL A4	KEA 480UL YR A4	80 A	15HP	25HP	30HP	40HP	6419410348536	6419410348710	8-1/0AWG	A4	2.4
KEA 4100UL A4	KEA 4100UL YR A4	100 A	15HP	30HP	40HP	50HP	6419410348550	6419410348734	8-1/0AWG	A4	2.4
KEA 4125UL A4	KEA 4125UL YR A4	125 A	20HP	40HP	50HP	60HP	6419410348574	6419410348758	8-1/0AWG	A4	2.4
6-poles											
KEA 616UL A4	KEA 616UL YR A4	16 A	3HP	7.5HP	10HP	7.5HP	6419410348420	6419410348604	14-8AWG	A4	2.3
KEA 625UL A4	KEA 625UL YR A4	25 A	5HP	10HP	15HP	10HP	6419410348451	6419410348635	14-8AWG	A4	2.3
KEA 640UL A4	KEA 640UL YR A4	40 A	7.5HP	15HP	20HP	15HP	6419410348482	6419410348666	14-8AWG	A4	2.3
KEA 660UL A4	KEA 660UL YR A4	60 A	10HP	20HP	25HP	25HP	6419410348512	6419410348697	12-4AWG	A4	2.3
KEA 680CUL A4	KET 680CUL YR T4	80 A	10HP	25HP	30HP	30HP	6419410331811	6419410349250	12-4AWG	A4	2.3

UL 60947-4-1A LISTED STAINLESS STEEL ENCLOSED MANUAL MOTOR CONTROLLERS WITH DISCONNECTOR MEANS 16-125 A



- Type 4X enclosure
- Across the line, motor starting- up to 75HP/600V
- General use rating from 25A to 125A/600V
- Retrofit snap on auxiliary contacts
- Padlockable



Dimensional drawings: Dimensional drawings section of this catalogue (please note, UL listed enclosed products are delivered in solid (no cable entries) enclosures with the exception of EMC)

3D STEP files available:
www.katko.com/3d-models

Accessories available: www.katko.com/products/ul-listed/ul-listed-accessories/

Type		Ampere rating (600 V)	208V	415V	480V	600V	EAN-Code		Wire size Cu only	Enclosure	Weight kg
							Grey/black	Yellow/red			
3-poles											
KER 316UL RA2	KER 316UL YR RA2	16 A	3HP	7.5HP	10HP	7.5HP	6419410347300	6419410347546	14-8AWG	RA2	1.2
KER 325UL RA2	KER 325UL YR RA2	25 A	5HP	10HP	15HP	10HP	6419410347317	6419410347553	14-8AWG	RA2	1.2
KER 340UL RA2	KER 340UL YR RA2	40 A	7.5HP	15HP	20HP	15HP	6419410347362	6419410347607	14-8AWG	RA2	1.2
KER 360UL RA4	KER 360UL YR RA4	60 A	10HP	20HP	25HP	25HP	6419410347393	6419410347638	12-4AWG	RA4	2.2
KER 380CUL RA4	KER 380CUL YR RA4	80 A	10HP	25HP	30HP	30HP	6419410351901	6419410351987	12-4AWG	RA4	2.2
KER 380UL RA4	KER 380UL YR RA4	80 A	15HP	25HP	30HP	40HP	6419410347423	6419410347669	8-1/0AWG	RA4	2.2
KER 3100UL RA4	KER 3100UL YR RA4	100 A	15HP	30HP	40HP	50HP	6419410347454	6419410347690	8-1/0AWG	RA4	2.5
KER 3125UL RA4	KER 3125UL YR RA4	125 A	20HP	40HP	50HP	60HP	6419410347485	6419410347720	8-1/0AWG	RA4	2.5
4-poles											
KER 416UL RA2	KER 416UL YR RA2	16 A	3HP	7.5HP	10HP	7.5HP	6419410347324	6419410347560	14-8AWG	RA2	1.2
KER 425UL RA2	KER 425UL YR RA2	25 A	5HP	10HP	15HP	10HP	6419410347331	6419410347577	14-8AWG	RA2	1.2
KER 440UL RA2	KER 440UL YR RA2	40 A	7.5HP	15HP	20HP	15HP	6419410347379	6419410347614	14-8AWG	RA2	1.2
KER 460UL RA4	KER 460UL YR RA4	60 A	10HP	20HP	25HP	25HP	6419410347409	6419410347645	12-4AWG	RA4	2.2
KER 480CUL RA4	KER 480CUL YR RA4	80 A	10HP	25HP	30HP	30HP	6419410351918	6419410351994	12-4AWG	RA4	2.2
KER 480UL RA4	KER 480UL YR RA4	80 A	15HP	25HP	30HP	40HP	6419410347430	6419410347676	8-1/0AWG	RA4	2.2
KER 4100UL RA4	KER 4100UL YR RA4	100 A	15HP	30HP	40HP	50HP	6419410347461	6419410347706	8-1/0AWG	RA4	2.5
KER 4125UL RA4	KER 4125UL YR RA4	125 A	20HP	40HP	50HP	60HP	6419410347492	6419410347737	8-1/0AWG	RA4	2.5
6-poles											
KER 616UL RA4	KER 616UL YR RA4	16 A	3HP	7.5HP	10HP	7.5HP	6419410347348	6419410347584	14-8AWG	RA4	2.5
KER 625UL RA4	KER 625UL YR RA4	25 A	5HP	10HP	15HP	10HP	6419410347355	6419410347591	14-8AWG	RA4	2.5
KER 640UL RA4	KER 640UL YR RA4	40 A	7.5HP	15HP	20HP	15HP	6419410347386	6419410347621	14-8AWG	RA4	2.5
KER 660UL RA4	KER 660UL YR RA4	60 A	10HP	20HP	25HP	25HP	6419410347416	6419410347652	12-4AWG	RA4	2.5
KER 680CUL RA4	KER 680CUL YR RA4	80 A	10HP	25HP	30HP	30HP	6419410347287	6419410347294	12-4AWG	RA4	2.5

UL 60947-4-1A LISTED STAINLESS STEEL ENCLOSED MANUAL MOTOR CONTROLLERS WITH DISCONNECTOR MEANS (KER R/RS) 16-125 A



- Designed for hygienic and heavy environments
- Manual motor controller with disconnecter means
- Type 4X enclosure
- Across the line, motor starting up to 75 HP/600 V
- General use rating from 16A to 125A/600V
- Retrofit snap on auxiliary contacts
- Padlockable with three locks
- UL 60947-4-1A



Dimensional drawings: Dimensional drawings section of this catalogue (please note, UL listed enclosed products are delivered in solid (no cable entries) enclosures with the exception of EMC)

3D STEP files available:
www.katko.com/3d-models

Accessories available: www.katko.com/products/ul-listed/ul-listed-accessories/

Type		Ampere rating (600 V)	208V	415V	480V	600V	Wire size Cu only	Enclosure	EAN code		Weight kg
									R	RS	
Without angled top	With angled top										
3-pole											
KER 316UL RA2R	KER 316UL RA2RS	16 A	3HP	7.5HP	10HP	7.5HP	14-8AWG	RA2R/RA2RS	6419410307250	6419410307267	1,2/1,7
KER 325UL RA2R	KER 325UL RA2RS	25 A	5HP	10HP	15HP	10HP	14-8AWG	RA2R/RA2RS	6419410307274	6419410307281	1,2/1,7
KER 340UL RA2R	KER 340UL RA2RS	40 A	7.5HP	15HP	20HP	15HP	14-8AWG	RA2R/RA2RS	6419410307298	6419410307304	1,2/1,7
KER 360UL RA4R	KER 360UL RA4RS	60 A	10HP	20HP	25HP	25HP	12-4AWG	RA4R/RA4RS	6419410307311	6419410307328	2,3/2,9
KER 380UL RA4R	KER 380UL RA4RS	80 A	10HP	25HP	30HP	30HP	12-4AWG	RA4R/RA4RS	6419410307335	6419410307342	2,3/2,9
KER 380CUL RA4R	KER 380CUL RA4RS	80 A	15HP	25HP	30HP	40HP	8-1/0AWG	RA4R/RA4RS	6419410307359	6419410307366	2,3/2,9
KER 3100UL RA4R	KER 3100UL RA4RS	100 A	15HP	30HP	40HP	50HP	8-1/0AWG	RA4R/RA4RS	6419410307373	6419410307380	2,5/3,1
KER 3125UL RA4R	KER 3125UL RA4RS	125 A	20HP	40HP	50HP	60HP	8-1/0AWG	RA4R/RA4RS	6419410307397	6419410307403	2,5/3,1
4-pole											
KER 416UL RA2R	KER 416UL RA2RS	16 A	3HP	7.5HP	10HP	7.5HP	14-8AWG	RA2R/RA2RS	6419410307410	6419410307427	1,3/1,8
KER 425UL RA2R	KER 425UL RA2RS	25 A	5HP	10HP	15HP	10HP	14-8AWG	RA2R/RA2RS	6419410307434	6419410307441	1,3/1,8
KER 440UL RA2R	KER 440UL RA2RS	40 A	7.5HP	15HP	20HP	15HP	14-8AWG	RA2R/RA2RS	6419410307458	6419410307465	1,3/1,8
KER 460UL RA4R	KER 460UL RA4RS	60 A	10HP	20HP	25HP	25HP	12-4AWG	RA4R/RA4RS	6419410307472	6419410307489	2,4/3
KER 480UL RA4R	KER 480UL RA4RS	80 A	10HP	25HP	30HP	30HP	12-4AWG	RA4R/RA4RS	6419410307496	6419410307502	2,4/3
KER 480CUL RA4R	KER 480CUL RA4RS	80 A	15HP	25HP	30HP	40HP	8-1/0AWG	RA4R/RA4RS	6419410307519	6419410307526	2,4/3
KER 4100UL RA4R	KER 4100UL RA4RS	100 A	15HP	30HP	40HP	50HP	8-1/0AWG	RA4R/RA4RS	6419410307533	6419410307540	2,5/3,1
KER 4125UL RA4R	KER 4125UL RA4RS	125 A	20HP	40HP	50HP	60HP	8-1/0AWG	RA4R/RA4RS	6419410307557	6419410307564	2,5/3,1
6-pole											
KER 616UL RA4R	KER 616UL RA4RS	16 A	3HP	7.5HP	10HP	7.5HP	14-8AWG	RA4R/RA4RS	6419410307571	6419410307588	2,5/3,1
KER 625UL RA4R	KER 625UL RA4RS	25 A	5HP	10HP	15HP	10HP	14-8AWG	RA4R/RA4RS	6419410307595	6419410307601	2,5/3,1
KER 640UL RA4R	KER 640UL RA4RS	40 A	7.5HP	15HP	20HP	15HP	14-8AWG	RA4R/RA4RS	6419410307618	6419410307625	2,5/3,1
KER 660UL RA4R	KER 660UL RA4RS	60 A	10HP	20HP	25HP	25HP	12-4AWG	RA4R/RA4RS	6419410307632	6419410307649	2,5/3,1
KER 680CUL RA4R	KER 680CUL RA4RS	80 A	10HP	25HP	30HP	30HP	12-4AWG	RA4R/RA4RS	6419410307670	6419410307687	2,5/3,1

UL 60947-4-1A LISTED EMC PROTECTED ENCLOSED MANUAL MOTOR CONTROLLERS WITH DISCONNECTOR MEANS 16-150 A



- Electromagnetic compatibility ensures safe operation in environments with electromagnetic disturbance
- Tested according to EN 55011 with EMC glands shielded power cable
- Nema Type 4X: U2, U3, MF10, MF11, H23/T, H32/T enclosures
- Nema Type 4: A2, A3, TR007 enclosures
- Up to 150A/75HP/600V
- Easy to install auxiliary contacts
- Padlockable
- Also available as 4-, 6- and 8-pole versions
- EMC cable glands included



Dimensional drawings: Dimensional drawings section of this catalogue

3D STEP files available:
www.katko.com/3d-models

Accessories available: www.katko.com/products/ul-listed/ul-listed-accessories/

Type		Ampere rating (600 V)	208V	415V	480V	600V	EAN-Code		Wire size	Enclosure	Weight
							Grey/black	Yellow/red	Cu only		kg
Polycarbonate enclosures											
KEM 316UL M2EMC 2XM25MEMC	KEM 316UL YR M2EMC 2XM25MEMC	16 A	3HP	7.5HP	10HP	7.5HP	6419410307922	6419410307984	14-8AWG	M2	0.6
KEM 325UL M2EMC 2XM25MEMC	KEM 325UL YR M2EMC 2XM25MEMC	25 A	5HP	10HP	15HP	10HP	6419410307939	6419410307991	14-8AWG	M2	0.6
KEM 340UL M3EMC 2XM25MEMC	KEM 340UL YR M3EMC 2XM25MEMC	40 A	7.5HP	15HP	20HP	15HP	6419410307946	6419410308004	14-8AWG	M3	0.8
KEM 360UL M3EMC 2XM32MEMC	KEM 360UL YR M3EMC 2XM32MEMC	60 A	10HP	20HP	25HP	25HP	6419410307953	6419410308011	12-4AWG	M3	1.0
KEM 380CUL M3EMC 2XM32MEMC	KEM 380CUL YR M3EMC 2XM32MEMC	80 A	10HP	25HP	30HP	30HP	6419410307960	6419410308028	12-4AWG	M3	1.0
KEM 380UL M3EMC 2XM32MEMC	KEM 380UL YR M3EMC 2XM32MEMC	80 A	15HP	25HP	30HP	40HP	6419410307977	6419410308035	8-1/0AWG	M3	2.5
Aluminium enclosures											
KEA 316UL A2EMC 2XM25MEMC KST16M	KEA 316UL YR A2EMC 2XM25MEMC KST16M	16 A	3HP	7.5HP	10HP	7.5HP	6419410308806	6419410308882	14-8AWG	A2	0.9
KEA 325UL A2EMC 2XM25MEMC KST16M	KEA 325UL YR A2EMC 2XM25MEMC KST16M	25 A	5HP	10HP	15HP	10HP	6419410308813	6419410308899	14-8AWG	A2	0.9
KEA 340UL A2EMC 2XM25MEMC KST16M	KEA 340UL YR A2EMC 2XM25MEMC KST16M	40 A	7.5HP	15HP	20HP	15HP	6419410308820	6419410308905	14-8AWG	A2	0.9
KEA 360UL A4EMC 2XM40MEMC KST16M	KEA 360UL YR A4EMC 2XM40MEMC KST16M	60 A	10HP	20HP	25HP	25HP	6419410308837	6419410308912	12-4AWG	A4	2.4
KEA 380CUL A4EMC 2XM40MEMC KST16M	KEA 380CUL YR A4EMC 2XM40MEMC KST16M	80 A	10HP	25HP	30HP	30HP	6419410308844	6419410308929	12-4AWG	A4	2.4
KEA 380UL A4EMC 2XM40MEMC KST16M	KEA 380UL YR A4EMC 2XM40MEMC KST16M	80 A	15HP	25HP	30HP	40HP	6419410308851	6419410308936	8-1/0AWG	A4	2.7
KEA 3100UL A4EMC 2XM40MEMC KST16M	KEA 3100UL YR A4EMC 2XM40MEMC KST16M	100 A	15HP	30HP	40HP	50HP	6419410308868	6419410308943	8-1/0AWG	A4	2.7
KEA 3125UL A4EMC 2XM40MEMC KST16M	KEA 3125UL YR A4EMC 2XM40MEMC KST16M	125 A	20HP	40HP	50HP	60HP	6419410308875	6419410308950	8-1/0AWG	A4	2.7
Sheet steel enclosures											
KET 316UL T3EMC 2XM25MEMC KST16M	KET 316UL YR T3EMC 2XM25MEMC KST16M	16 A	3HP	7.5HP	10HP	7.5HP	6419410308264	6419410308356	14-8AWG	T3	2.2
KET 325UL T3EMC 2XM25MEMC KST16M	KET 325UL YR T3EMC 2XM25MEMC KST16M	25 A	5HP	10HP	15HP	10HP	6419410308271	6419410308363	14-8AWG	T3	2.2
KET 340UL T3EMC 2XM25MEMC KST16M	KET 340UL YR T3EMC 2XM25MEMC KST16M	40 A	7.5HP	15HP	20HP	15HP	6419410308288	6419410308370	14-8AWG	T3	2.2
KET 360UL T4EMC 2XM32MEMC KST16M	KET 360UL YR T4EMC 2XM32MEMC KST16M	60 A	10HP	20HP	25HP	25HP	6419410308295	6419410308387	12-4AWG	T4	4.3
KET 380CUL T4EMC 2XM32MEMC KST16M	KET 380CUL YR T4EMC 2XM32MEMC KST16M	80 A	10HP	25HP	30HP	30HP	6419410308301	6419410308394	12-4AWG	T4	4.3
KET 380UL T4EMC 2XM32MEMC KST16M	KET 380UL YR T4EMC 2XM32MEMC KST16M	80 A	15HP	25HP	30HP	40HP	6419410308318	6419410308400	8-1/0AWG	T4	4.6
KET 3100UL T4EMC 2XM40MEMC	KET 3100UL YR T4EMC 2XM40MEMC	100 A	15HP	30HP	40HP	50HP	6419410308325	6419410308417	8-1/0AWG	T4	4.7
KET 3125UL T4EMC 2XM40MEMC	KET 3125UL YR T4EMC 2XM40MEMC	125 A	20HP	40HP	50HP	60HP	6419410308332	6419410308424	8-1/0AWG	T4	4.7
KET 3150UL T5EMC 2XM40MEMC	KET 3150UL YR T5EMC 2XM40MEMC	150 A	25HP	50HP	60HP	75HP	6419410308349	6419410308431	8-1/0AWG	T5	10.1
Stainless steel enclosures											
KER 316UL RA2EMC 2XM25MEMC KST16M	KER 316UL YR RA2EMC 2XM25MEMC KST16M	16 A	3HP	7.5HP	10HP	7.5HP	6419410309223	6419410309308	14-8AWG	RA2	1.3
KER 325UL RA2EMC 2XM25MEMC KST16M	KER 325UL YR RA2EMC 2XM25MEMC KST16M	25 A	5HP	10HP	15HP	10HP	6419410309230	6419410309315	14-8AWG	RA2	1.3
KER 340UL RA2EMC 2XM25MEMC KST16M	KER 340UL YR RA2EMC 2XM25MEMC KST16M	40 A	7.5HP	15HP	20HP	15HP	6419410309247	6419410309322	14-8AWG	RA2	1.3
KER 360UL RA4EMC 2XM32MEMC KST16M	KER 360UL YR RA4EMC 2XM32MEMC KST16M	60 A	10HP	20HP	25HP	25HP	6419410309254	6419410309339	12-4AWG	RA4	2.5
KER 380CUL RA4EMC 2XM32MEMC KST16M	KER 380CUL YR RA4EMC 2XM32MEMC KST16M	80 A	10HP	25HP	30HP	30HP	6419410309261	6419410309346	12-4AWG	RA4	2.5
KER 380UL RA4EMC 2XM32MEMC KST16M	KER 380UL YR RA4EMC 2XM32MEMC KST16M	80 A	15HP	25HP	30HP	40HP	6419410309278	6419410309353	8-1/0AWG	RA4	2.5
KER 3100UL RA4EMC 2XM40MEMC KST16M	KER 3100UL YR RA4EMC 2XM40MEMC KST16M	100 A	15HP	30HP	40HP	50HP	6419410309285	6419410309360	8-1/0AWG	RA4	2.9
KER 3125UL RA4EMC 2XM40MEMC KST16M	KER 3125UL YR RA4EMC 2XM40MEMC KST16M	125 A	20HP	40HP	50HP	60HP	6419410309292	6419410309377	8-1/0AWG	RA4	2.9

CONDITIONS OF SALE

1. Validity

These conditions are subject to any special stipulations set out by KATKO Oy (hereinafter "Katko") in the Agreement documents. The said conditions and stipulations shall prevail unless otherwise agreed in writing.

2. Specifications

All quotations for goods are made in accordance with Katko's specifications at the time of order.

3. Price

Katko reserves the right to undertake reasonable price adjustments in case of fluctuation of cost with two (2) months' notice (unless otherwise agreed in writing). The adjustment will be applied also to orders already received and confirmed, if the confirmed delivery time is longer than two (2) months. Any change of the prices shall be notified to the Distributor by registered letter, fax or email.

4. Delivery

The order becomes binding once Katko has confirmed it. Unless otherwise agreed, deliveries shall be ex-works, Helsinki in accordance with Incoterms 2000. Where the Distributor fails to give Katko adequate instructions for dispatch, or otherwise delays delivery, Katko shall be entitled to store, dispose of or reallocate the goods without being responsible for any loss and at its option to charge for any costs arising and/or to cancel the order.

5. Force Majeure

Katko shall not be under any liability in respect of any delay in delivery arising from Force Majeure including, but not limited to, industrial or labor disputes, riots, mobs, fires, floods, wars, civil strife, embargoes, shortages of labor, materials, power, fuels, or means of transportation, whether affecting the Katko or any subcontractor, or for circumstances caused by reasons of law, regulations or orders and lack of permission of any government or competent Authority. Any delay caused by such conditions shall be excused and Katko may claim extension of time for as long as such conditions continue. During the period in which delivery of the goods cannot be made for any abovementioned reason the Distributor shall be entitled, after giving Katko written notice of its intention to do so, to purchase products elsewhere at its own cost and risk and Katko shall not be obliged to make up deficiencies which have arisen as aforesaid. If a delay exceeds three months, Katko and the Distributor may cancel the Agreement without incurring any liability therefor.

6. Payment

a. Unless otherwise agreed, the Distributor shall make full payment in Euro to Katko by wire transfer with immediately available funds or by confirmed and irrevocable Letter of cCredit (L/C) payable at sight in Helsinki.

b. Katko charges interest for late payment, amounting to one and one half per cent (1 and 1/2%) per month

for any unpaid amount from the date such payment is due.

7. Claims

No claim for shortage or damage will be considered unless received in writing by Katko within (whichever occurs earlier) the warranty period or 14 days from the date when the Distributor became aware or should have reasonably become aware of the shortage or damage.

8. Warranty

Katko warrants that the products confirm with the specifications. The warranty period is 12 months from the date of delivery. As an exclusive remedy for the product that breaches the warranty, Katko shall, at its option, replace the product at its own cost with new product or refund the purchase price of any product which within warranty period, are found to be in breach of the warranty, provided that the goods are returned to Katko's designated factory freight prepaid, and Katko is informed immediately, when the breach of warranty becomes apparent and the same is shown to Katko's reasonable satisfaction to be due to its faulty workmanship or defective materials. No other warranties, express or implied, are made or will be deemed to have been made by Katko and Katko neither assumes nor authorizes any other person to assume for it any other obligations or liabilities in connection with the distribution and sale of the products or otherwise. This condition shall replace and exclude all common law or statutory warranties, undertakings, statements, representations or conditions whether express or implied. Katko shall not be liable in contract or tort for any indirect, consequential or economic loss (whether relating to quality, dispatch, and delivery or otherwise). The Distributor will assume responsibility for and hold and save Katko harmless from all claims (including but not limited to claims resulting from acts of negligence on the part of the Distributor), liabilities, demand, costs or expenses or the like which may be incurred by third party claims related to the products. The Distributor shall maintain during the term of this Agreement adequate insurance to cover its obligations under these conditions.

9. IPR and confidentiality

All intellectual property rights in all products and Katko documents (including drawings and art work) furnished to the Distributor shall at all times remain vested in Katko and neither the documents nor their contents shall be used without Katko's express written consent for any purpose other than that for which they were furnished.

The Distributor undertakes to keep confidential and not to use for any other purpose than the purpose of the agreement between the parties any information received from Katko based on the agreement or otherwise regardless of the form of the information.

10. Taxes, duties, fees, charges

The quoted price is exclusive of all taxes, duties and fees and charges of any kind in the country of destination. Such taxes, duties, fees and charges are payable by the Distributor.

11. No Waiver

Katko's failure to insist adherence of a certain condition in any specific situation, shall not be deemed a waiver of such condition and shall not prevent Katko from insisting adherence of such condition thereafter.

12. Governing law and dispute resolution

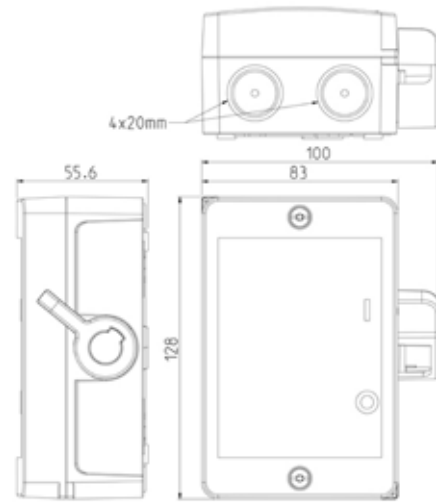
These conditions and any other agreement between the parties shall be governed by the laws of Finland excluding its choice of laws provisions. Any dispute, controversy or claim arising out of or relating to these conditions or agreement, or the breach, termination or validity thereof, shall be finally settled by arbitration in accordance with the Arbitration Rules of the Finland Chamber of Commerce by sole arbitrator. The place of arbitration is Helsinki, Finland and the language shall be Finnish.

13. Orgalime S 2012

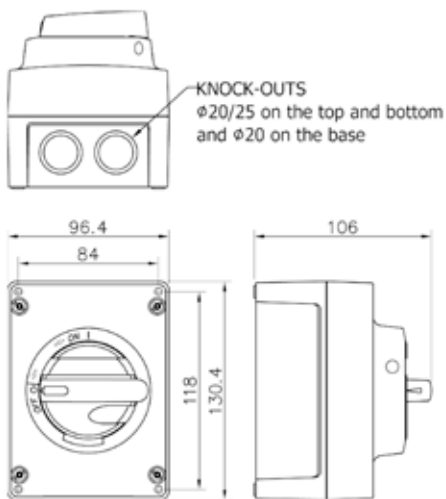
Orgalime S 2012 "General Conditions for the Supply of Mechanical, Electrical and Electronic products" (hereafter Orgalime S 2012) shall apply if not otherwise agreed in the Agreement documents or determined in these conditions. Therefore, should there be a conflict between these conditions and Orgalime S 2012, these conditions shall prevail.

DIMENSIONAL DRAWINGS OF ENCLOSURES

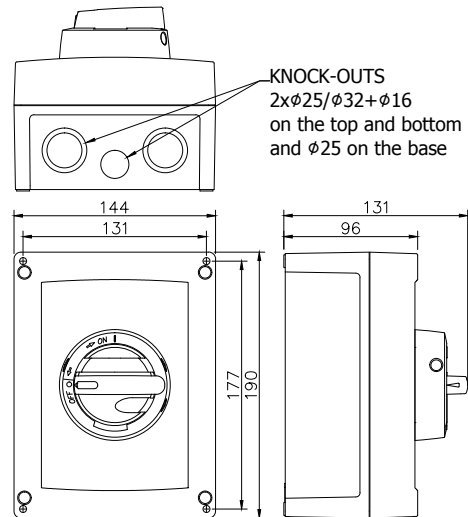
POLYCARBONATE ENCLOSURES



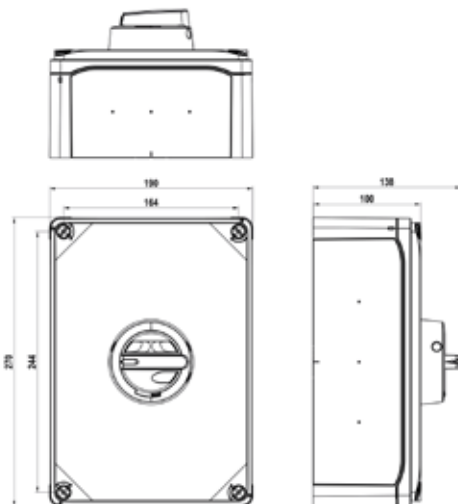
M1



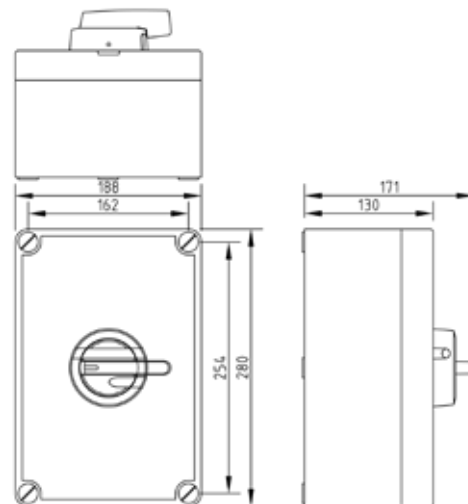
M2



M3

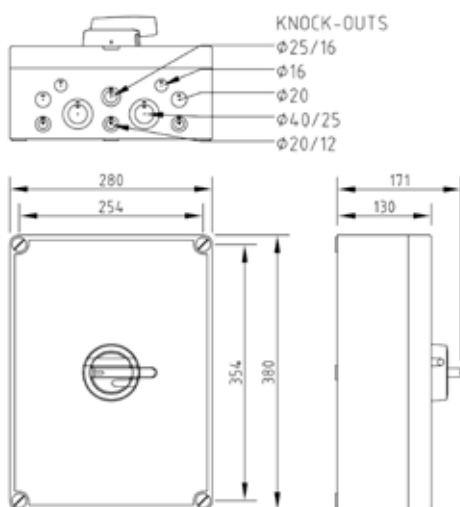


M4

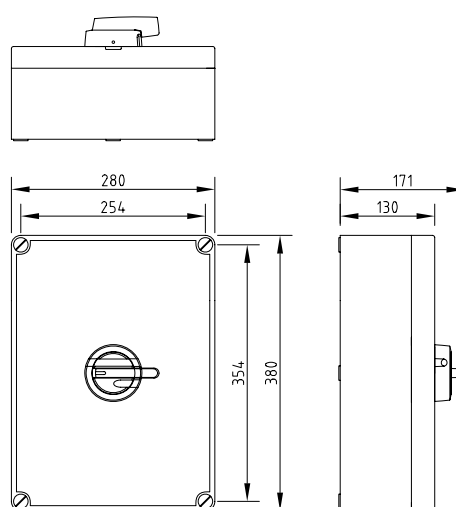


MF10

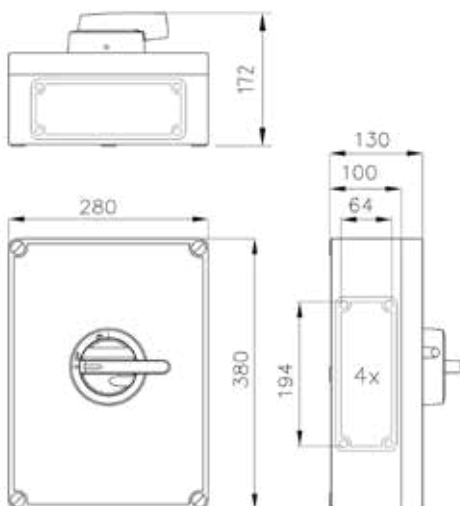
DIMENSIONAL DRAWINGS OF ENCLOSURES



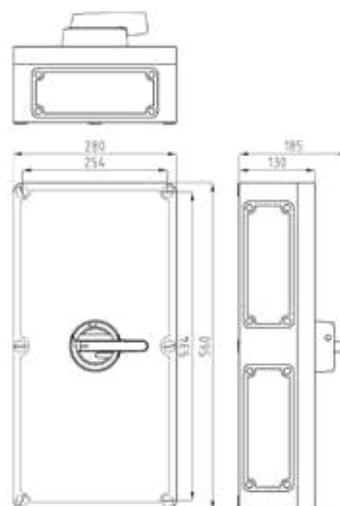
MF11



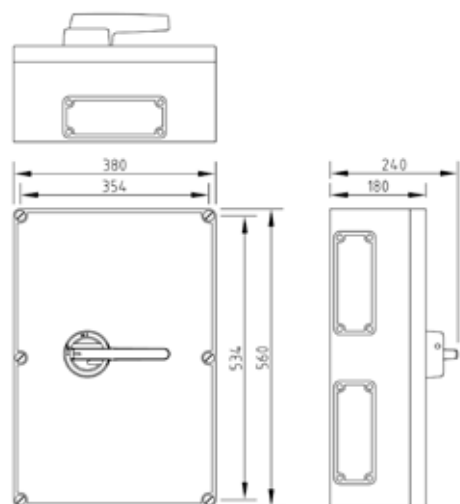
MF11UL



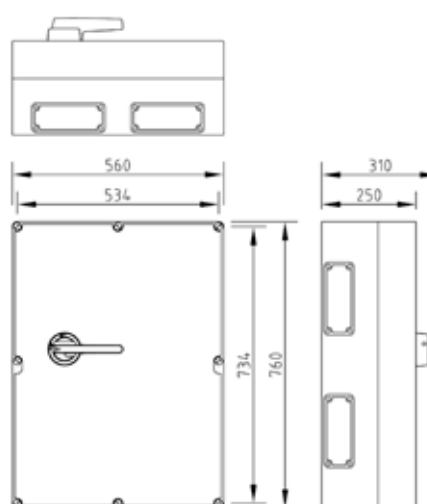
MF01



MF02



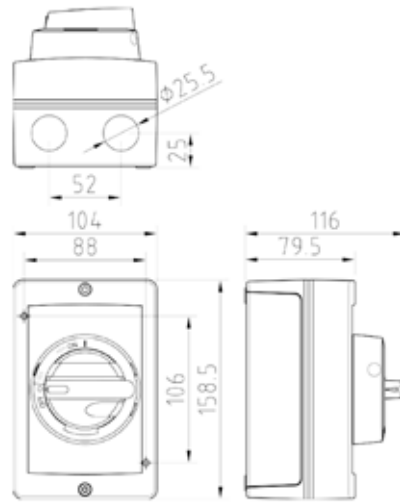
MF03



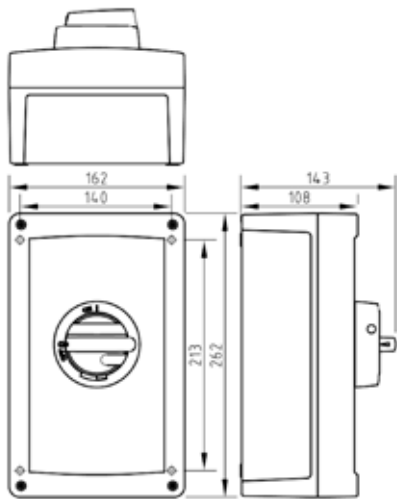
MF04

DIMENSIONAL DRAWINGS OF ENCLOSURES

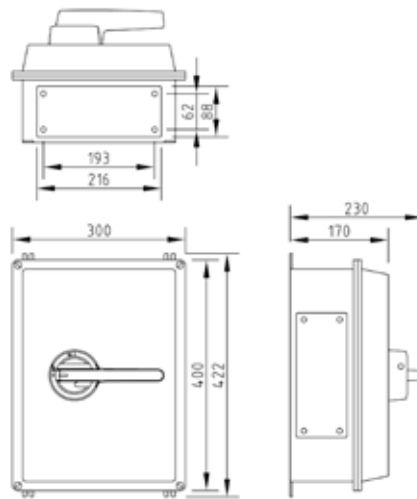
ALUMINIUM ENCLOSURES



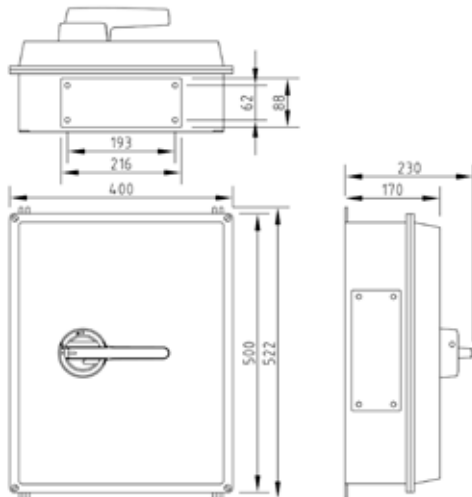
A2



A4



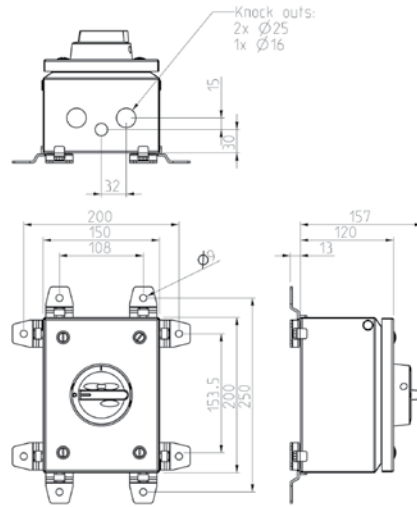
A5



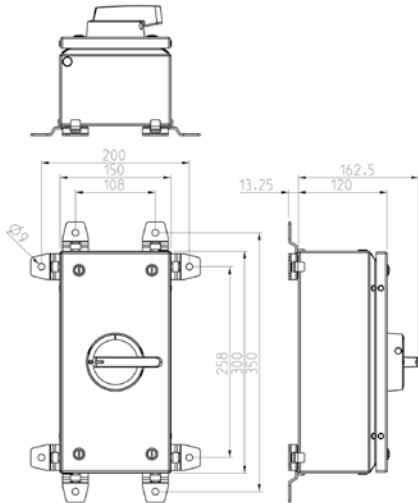
A6

DIMENSIONAL DRAWINGS OF ENCLOSURES

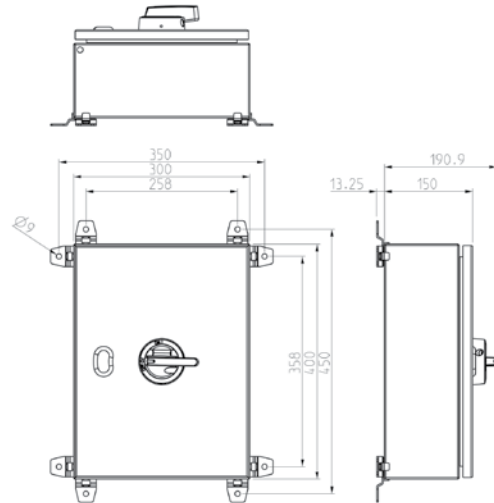
SHEET STEEL ENCLOSURES



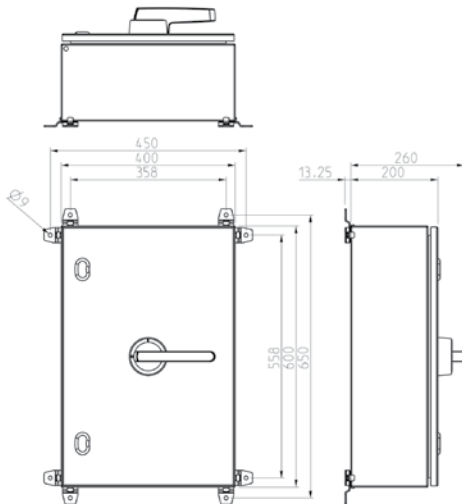
T3



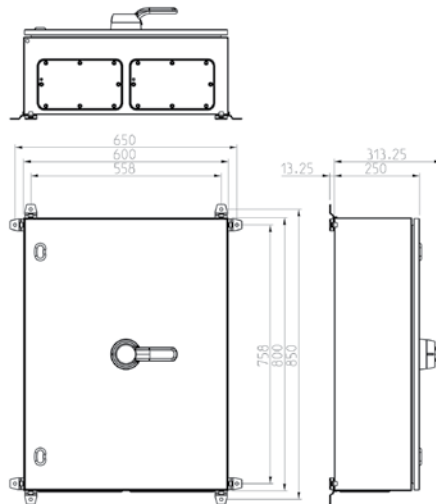
T4



T5

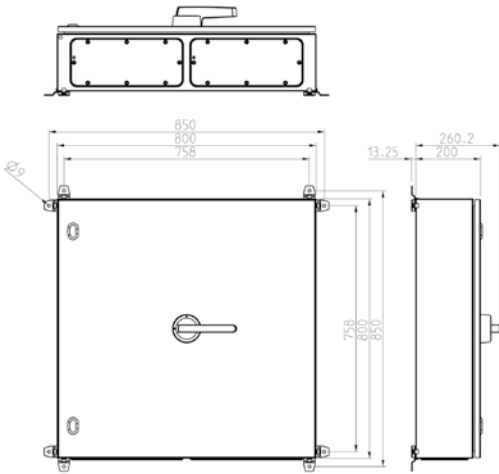


T6

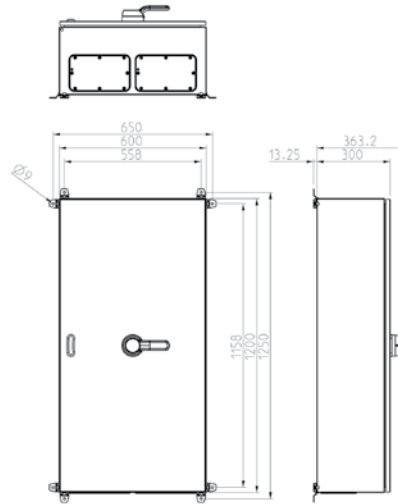


T7

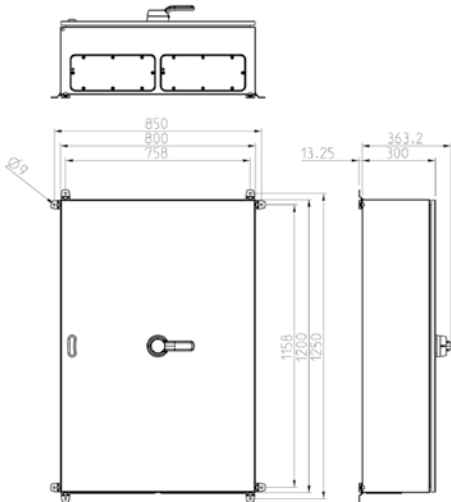
DIMENSIONAL DRAWINGS OF ENCLOSURES



T8



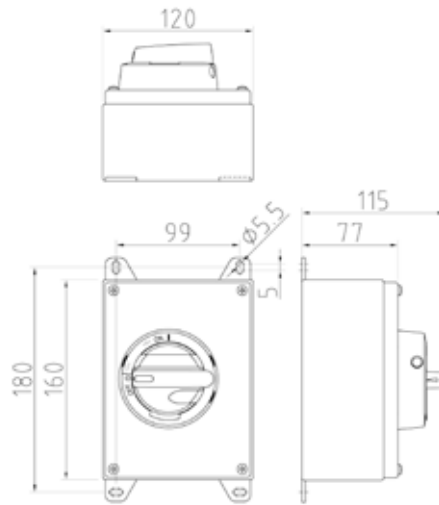
T10A



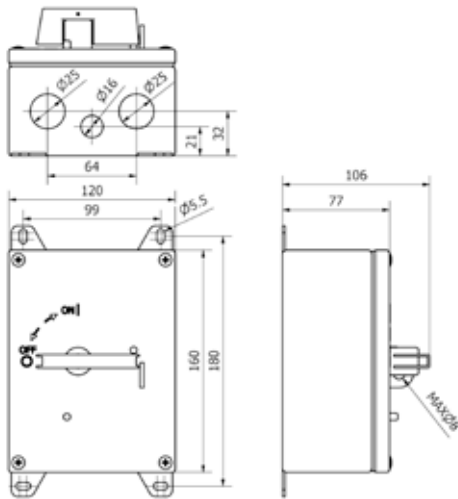
T10

DIMENSIONAL DRAWINGS OF ENCLOSURES

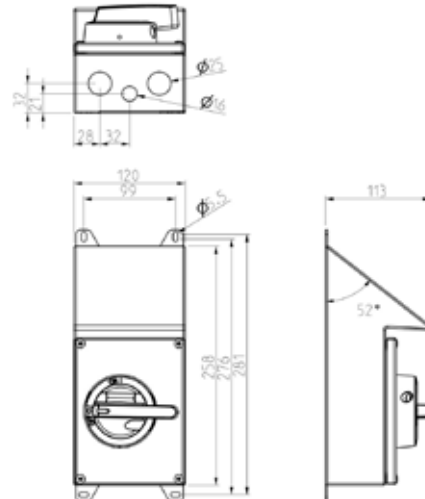
STAINLESS STEEL ENCLOSURES



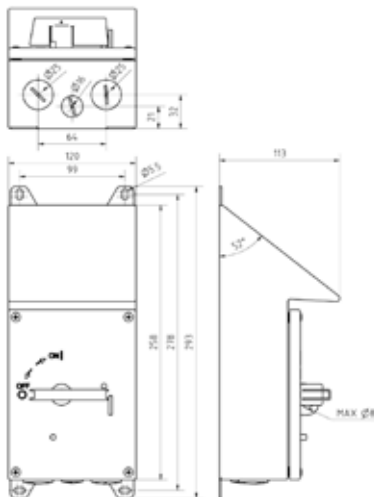
RA2



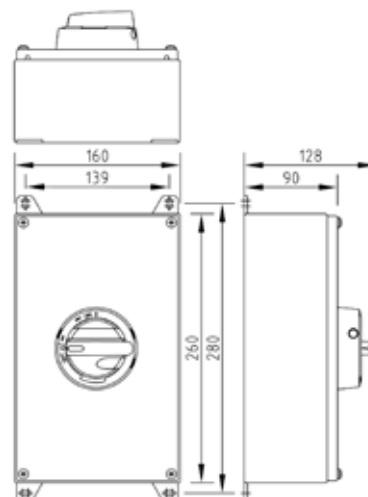
RA2R



RA2S

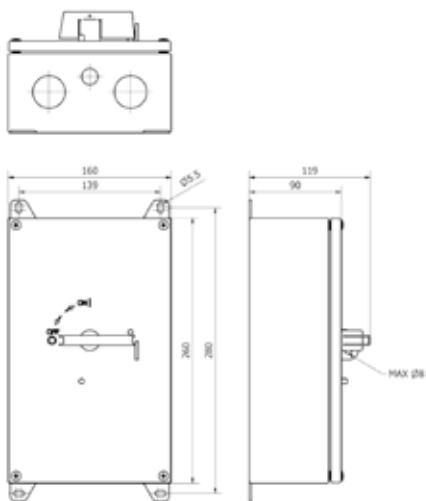


RA2RS

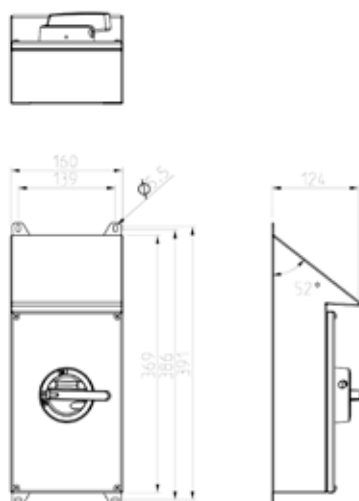


RA4

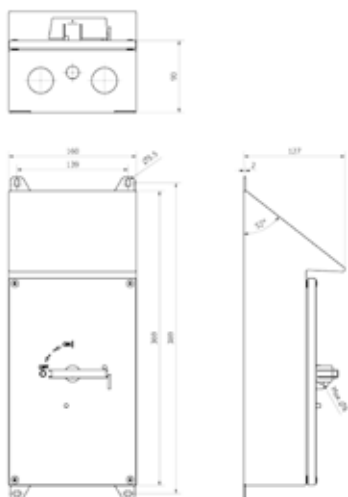
DIMENSIONAL DRAWINGS OF ENCLOSURES



RA4R



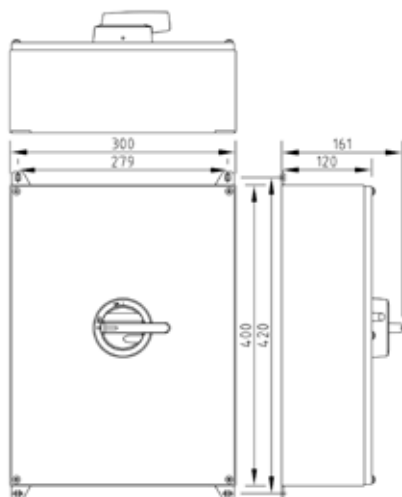
RA4S



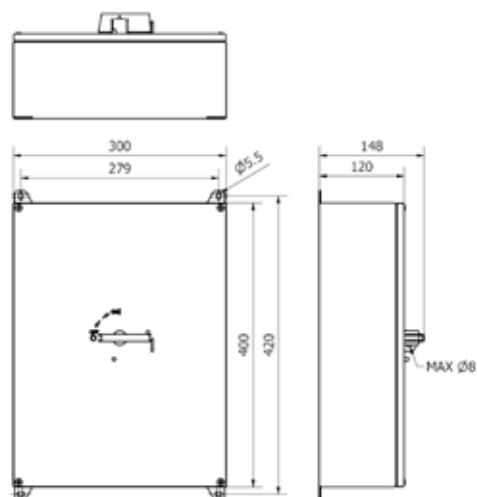
RA4RS



RA4B

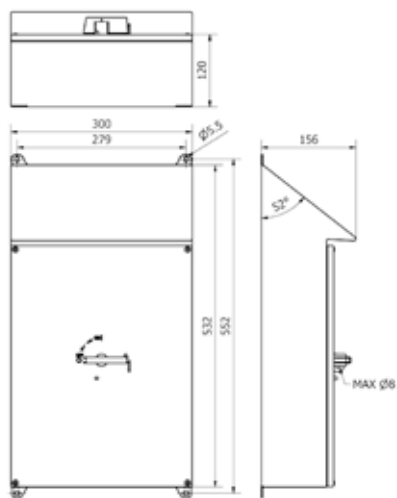


RA5

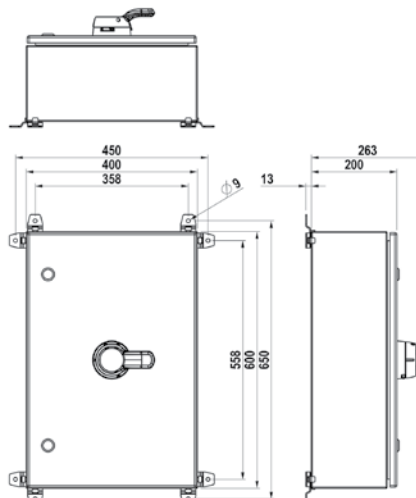


RA5R

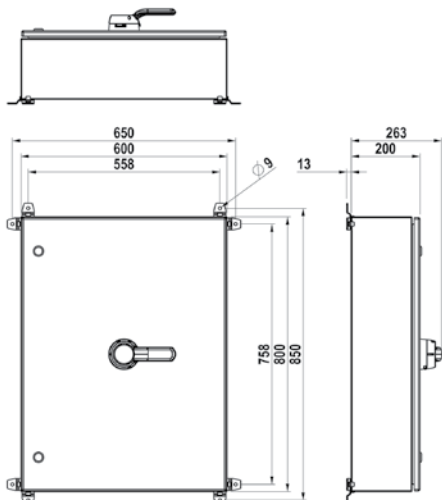
DIMENSIONAL DRAWINGS OF ENCLOSURES



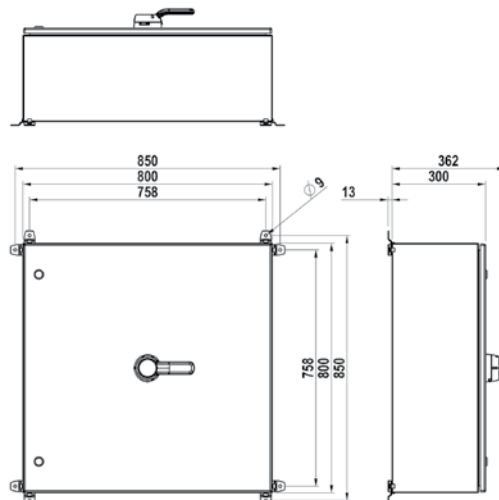
RA5RS



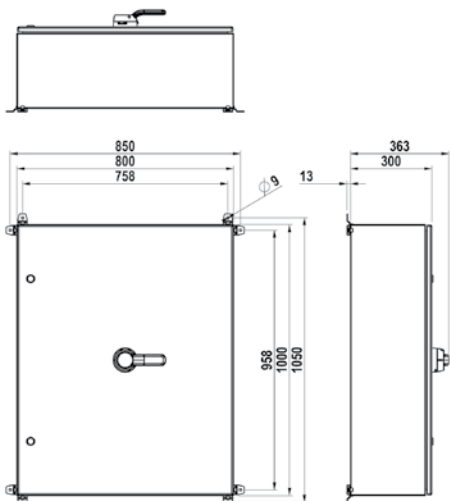
R6



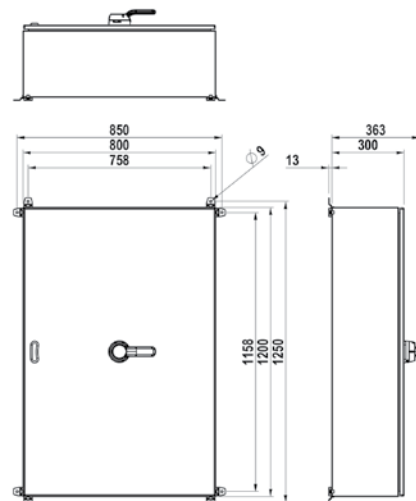
R7



R8



R9



R10



CONTACT

Ruosilantie 2
00390 Helsinki, Finland
Tel. +358 (0)9 849 600

www.katko.com
info@katko.com

Established in 1938, KATKO is a family-owned company that generates more than 60% of its export in over 40 countries around the world.